

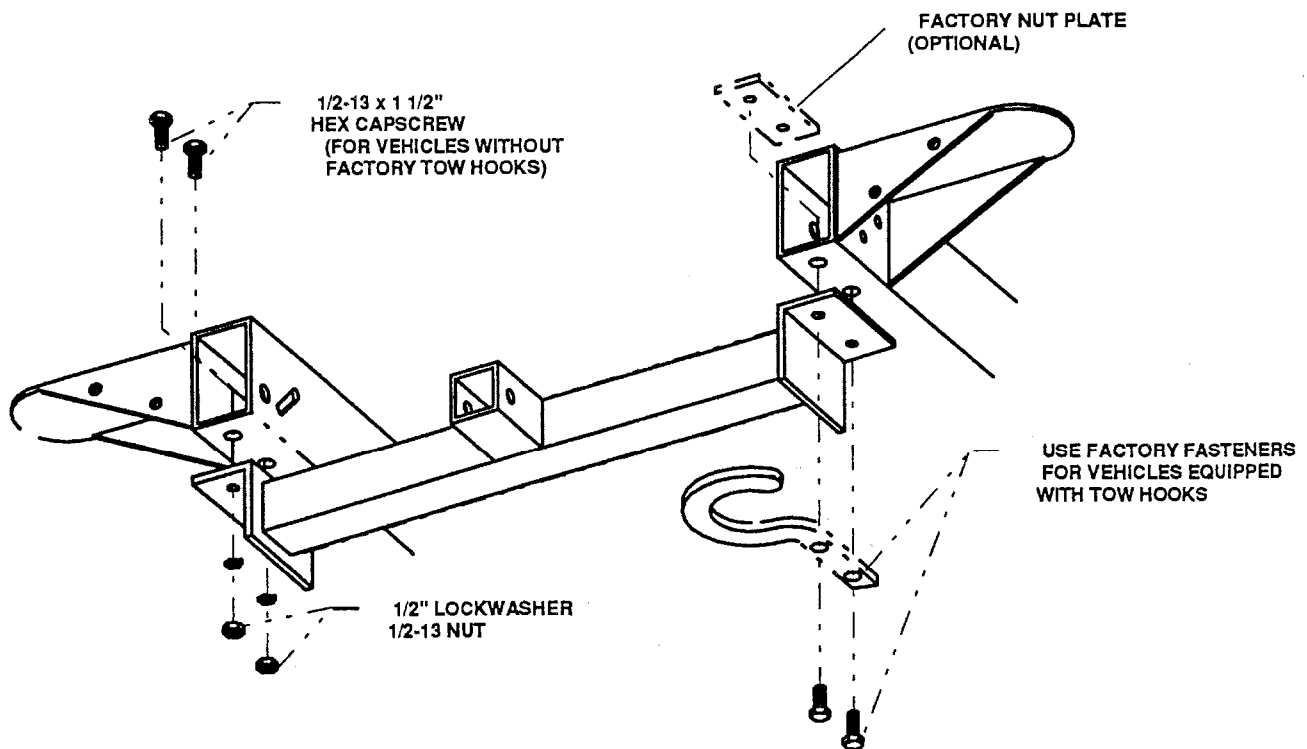


## INSTALLATION INSTRUCTIONS

FOR MULTI-MOUNT ON FULL SIZE  
CHEVROLET TRUCKS  
WARN PART NUMBER: 25897

**NOTE:** Please read all the enclosed instructions thoroughly *before* starting the installation of this kit. modification may be required due to variations between vehicles.

1. Remove the front tow hooks from the underside of the vehicle frame if so equipped. Retain the fasteners for later use.
2. Position the multi-mount receiver under the vehicle frame to determine where the receiver tube will protrude through the air dam. Mark the location and cut a hole in the air dam approximately 2-5/8" x 2-5/8".



3. Install the multi-mount receiver to the vehicle frame, as shown above. Use the supplied fasteners if the vehicle was not equipped with factory tow hooks. If the vehicle has factory tow hooks, they can be re-installed using the factory fasteners and nut plate, (REFER TO FIGURE 1). Torque all fasteners to 40-ft/lbs.

# WARN® ATV/ UTILITY/ MOUNTING SYSTEM/ ACCESSORY PRODUCTS



## LIMITED ONE (1) YEAR WARRANTY STATEMENT

Warn Industries, Inc. (WARN) warrants to the original purchaser that the mechanical components and electrical components of the "WARN" Products specified below will be free of defects in material and workmanship for a period of one (1) year from the original date of purchase. This Warranty applies only to the original purchaser of the Products. To obtain any warranty service, you must provide WARN with proof of purchase and date of purchase acceptable to WARN, such as a copy of your purchase receipt. This warranty does not cover the removal or reinstallation of the Product. WARN will, at its option, repair, replace or refund the purchase price of a defective Product or component, provided you return the defective Product or component during the warranty period, transportation charges prepaid, to Warn Industries' Service Department or a Factory Authorized Service Center. Attach your name, address, telephone number, a description of the problem, and a copy of your receipt and original bill of sale bearing the WARN serial number of the defective Product and date of purchase.

This warranty does not apply (i) to parts or components excluded below, or (ii) if the Product has been damaged by accident, abuse, misuse, collision, overloading, modification, misapplication, improper installation, or improper service. This warranty is void if any WARN serial number has been removed or defaced. Commercial or industrial use or application, or any hoisting application of the Product voids the warranty.

THE WARRANTY SET FORTH ABOVE IS THE ONLY WARRANTY. THERE ARE NO OTHER WARRANTIES, EXPRESS OR IMPLIED, INCLUDING BUT NOT LIMITED TO IMPLIED WARRANTIES OF MERCHANTABILITY OR FITNESS FOR A PARTICULAR PURPOSE.

ANY IMPLIED WARRANTY WHICH BY LAW MAY NOT BE EXCLUDED IS LIMITED IN DURATION TO ONE (1) YEAR FROM THE DATE OF ORIGINAL RETAIL PURCHASE OF THE PRODUCT.

WARN SHALL NOT BE LIABLE FOR SPECIAL, INDIRECT, INCIDENTAL OR CONSEQUENTIAL DAMAGES (INCLUDING, BUT NOT LIMITED TO, LOST PROFITS, DOWN TIME OR LOSS OF USE) UNDER ANY LEGAL THEORY, EVEN IF WARN WAS ADVISED OF THE POSSIBILITY OF SUCH DAMAGES.

Some states do not allow the exclusion of implied warranties or the exclusion or limitation of liability for incidental or consequential damages, or limitations on how long an implied warranty lasts, so the above limitation or exclusion may not apply to you. This warranty gives you specific legal rights. You may also have other rights that vary from state to state.

WARN reserves the right to change Product design without notice. In situations in which WARN has changed a Product design, WARN shall have no obligation to upgrade or otherwise modify previously manufactured Products.

No WARN dealer, agent or employee is authorized to make any modification, extension or addition to this warranty.

Warranty inquires and Products returned for warranty service should be sent to:

**WARN INDUSTRIES, INC**  
Customer Service Department  
12900 SE Capps Road  
Clackamas, OR 97015  
1-800-543-WARN (1-800-543-9276)  
1-503-722-3005 International Fax

### Products covered by this Warranty

ATV Winch Products  
Utility Winch Products  
Winch Mounting Systems, Bumpers, Body Armor  
ATV Mounting Systems & Bumpers  
ATV Disconnect  
All Accessories  
ATV Plows, Lifts & Mounting Systems

### Products Not Covered by this Warranty

Finish and Wire Rope for ATV Winch Products  
Finish and Wire Rope for Utility Winch Products  
Finish to Winch Mounting Systems, Bumpers & Body Armor  
Finish to ATV Mounting Systems & Bumpers  
Finish to ATV Disconnect  
Finish to all accessories and Light Bulbs  
Finish to ATV Plows & Mounting Systems