



INSTALLATION INSTRUCTIONS

WARN WINCH CARRIER KIT NO. 29165 & 29394

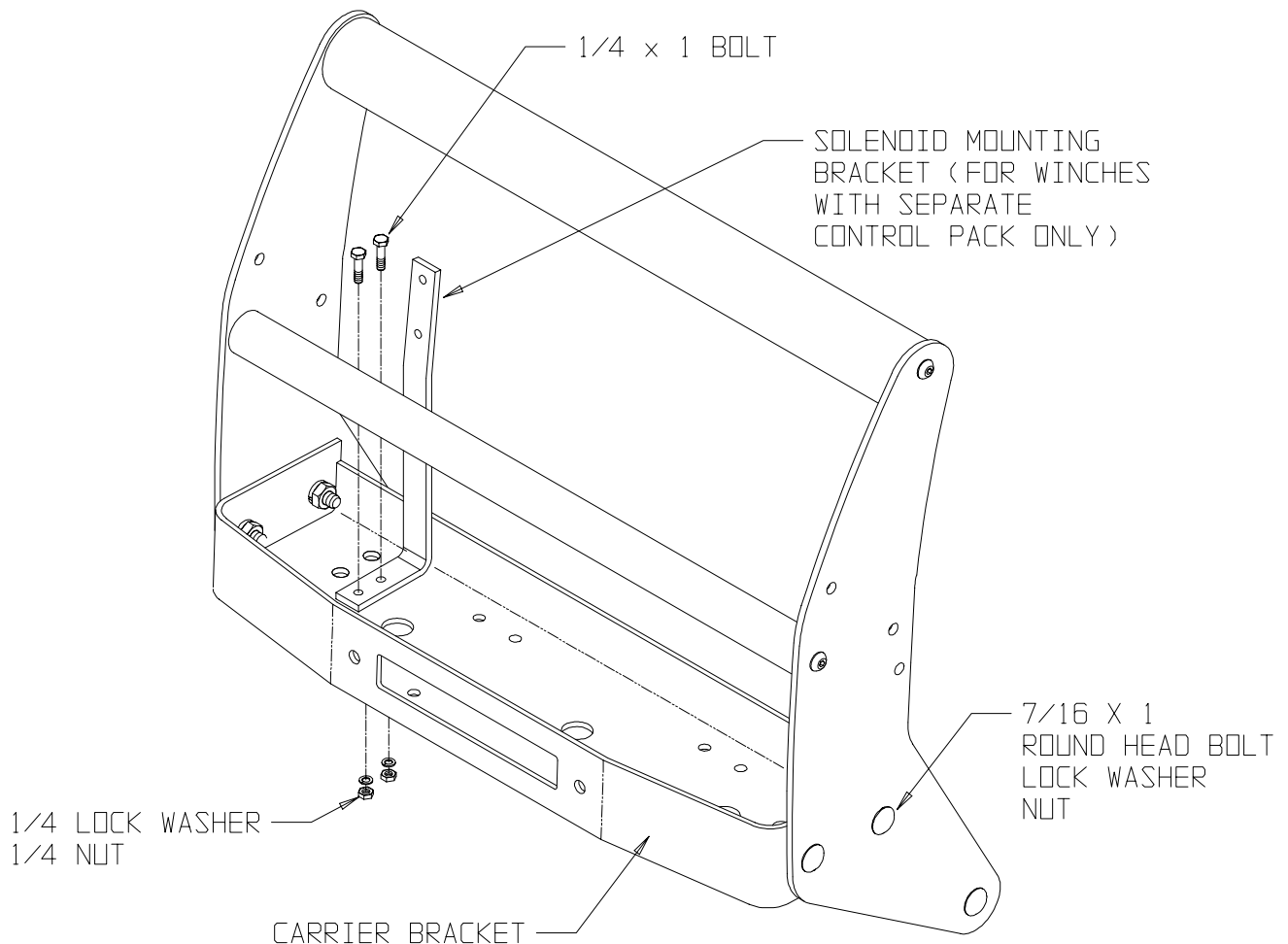
for use with Trans4mer Mounting Systems

PARTS LIST

PART NO.	QUANTITY	DESCRIPTION
28695	1	Carrier Bracket, 25"
or 39645	1	Carrier Bracket, 32"
13558	2	License Plate Bracket
26034	1	Solenoid Bracket

1. Install the carrier bracket between the side members as shown in **Figure 1**. Use the black bolts with the black side members and the silver bolts with the chrome side members.
2. Install the solenoid bracket as shown in **Figure 1**.

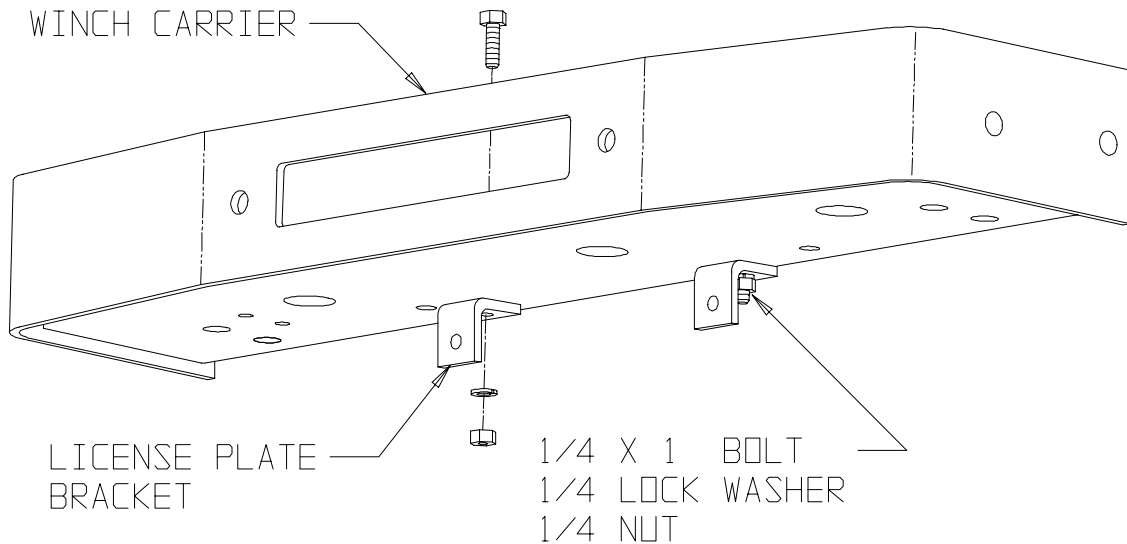
FIGURE 1



NOTE: When installing the Warn XD9000i or X8000i winch, the solenoid bracket is not required.

3. If a front license plate is required in your state, attach the license plate brackets to the bottom of the carrier bracket with the 1/4 x 1 bolts, lock washers and nuts as shown in **Figure 2**.

FIGURE 2



4. Install the fairlead (included with the winch) onto the front of the carrier bracket with the nuts on the outside.
5. Set the winch into position and complete the winch installation as directed in the Winch Installation Instructions.
6. Install the smaller tube in a position where it will clear the winch and/or the solenoid box.

IMPORTANT: Many vehicles require extra braces when the winch carrier installed. These are packaged with the Trans4mer Kit for the particular make of vehicle. Instructions for installing the braces are also included with the Trans4mer Kits.