

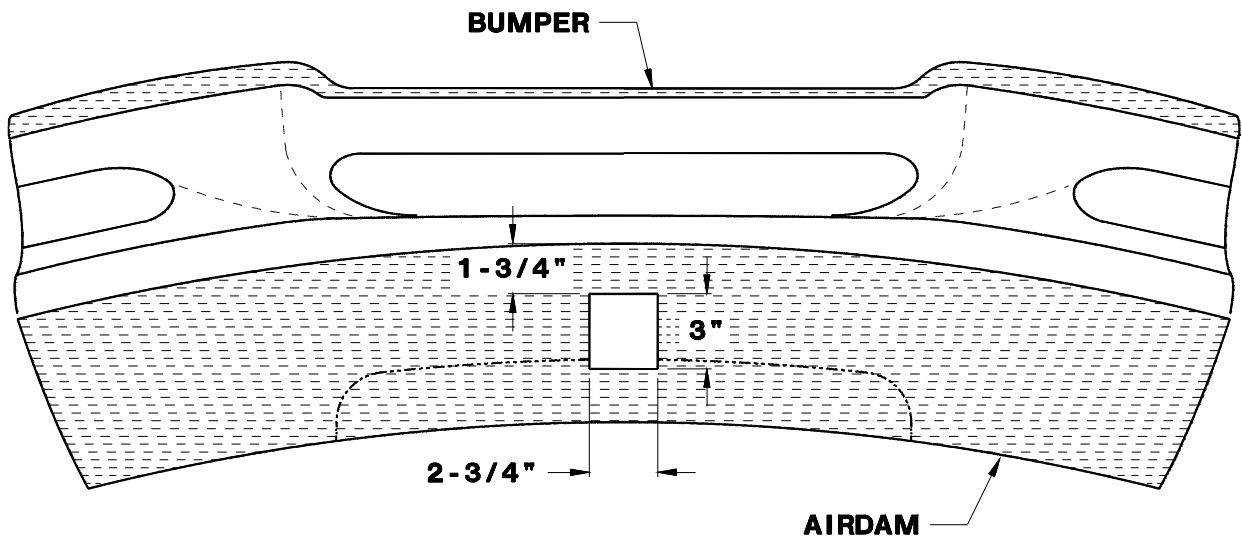


# INSTALLATION INSTRUCTIONS

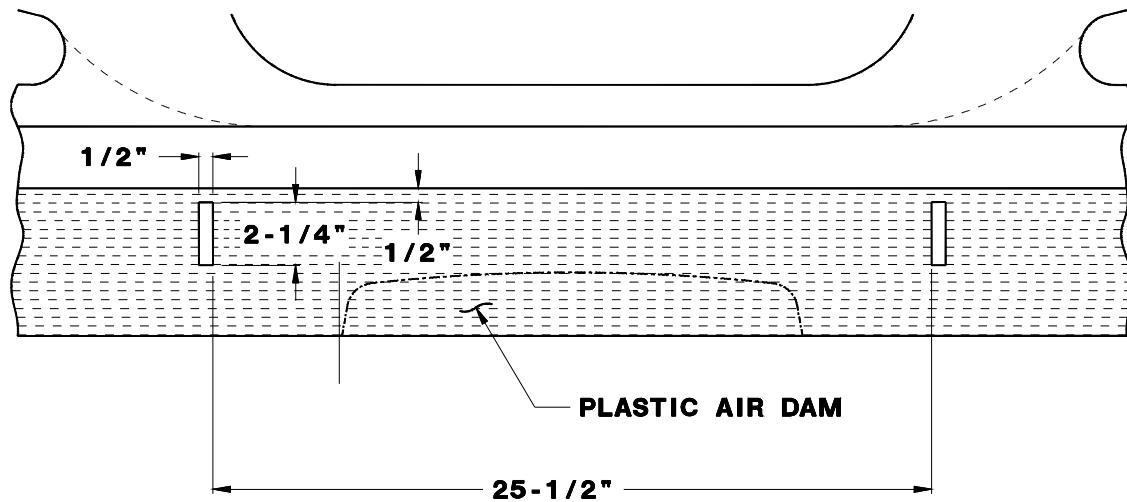
## Adapter Kit 37174

**This kit is designed for Ford 4x4 Expeditions and pickups which do not have the factory tow hook package. It allows the installation of the Trans4mer Grille Guard, (33086 & 33087) Semi-Hidden Mount (34701) or Front Receiver (33088) on these vehicles.**

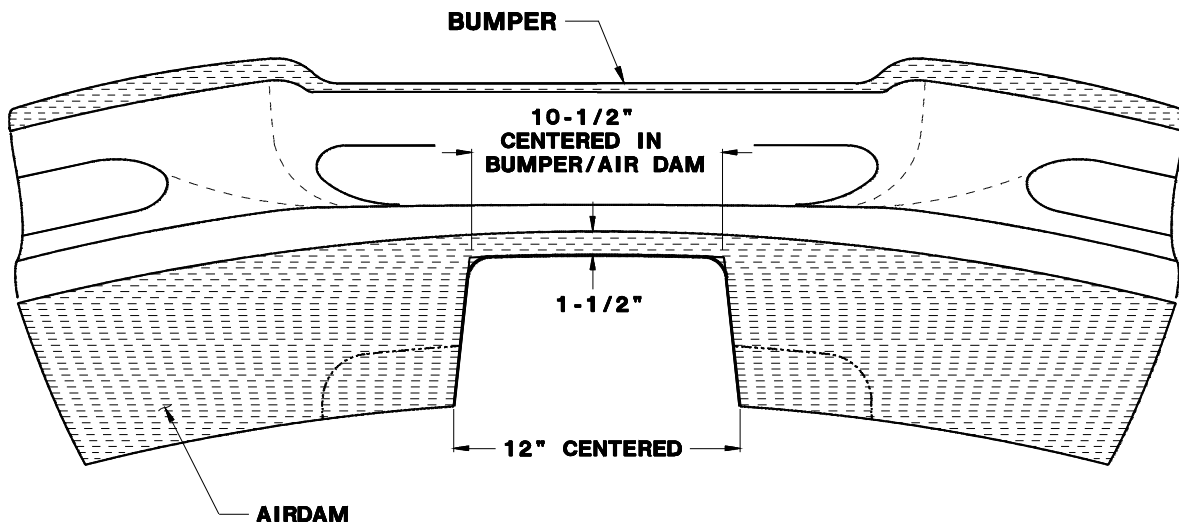
1. Trim the plastic airdam below the bumper as shown in one of the illustrations below, depending on which kit is to be installed.



Cut Airdam as shown above for **Front Receiver**.



Cut Airdam as shown above for **Trans4mer Grille Guard**.



Cut Airdam as shown above for **Semi-Hidden kit**.

2. Remove the front bumper. There is good access to the two large nuts each side through the large bumper air opening,
3. Slide the nut plates down inside the box frame rail and line up with the holes in the bottom of the frame.
4. Reinstall bumper and proceed with mounting kit installation. Use the supplied 1/2" bolts & washers in place of the factory tow hook fasteners. Torque to 75lb/ft (102N-m).