



# INSTALLATION INSTRUCTIONS

## RECEIVER KIT for

### Ford F-150, F-250 & Expedition

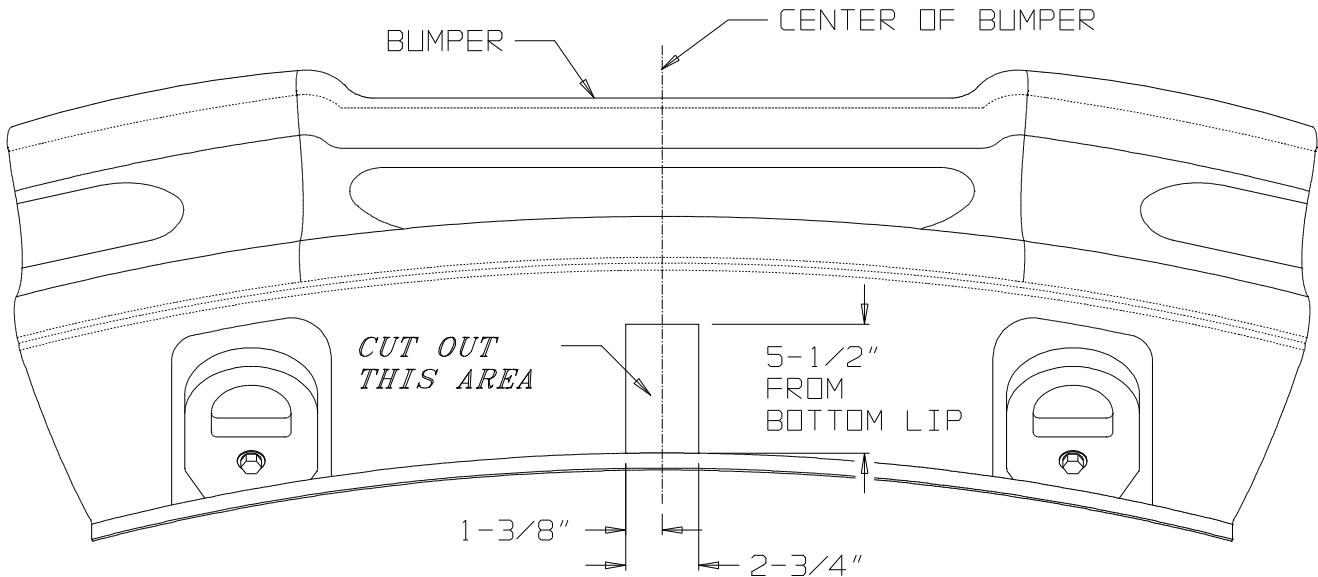
### Part Number 33088

**NOTE:** Please read these instructions thoroughly before starting the installation of this kit.

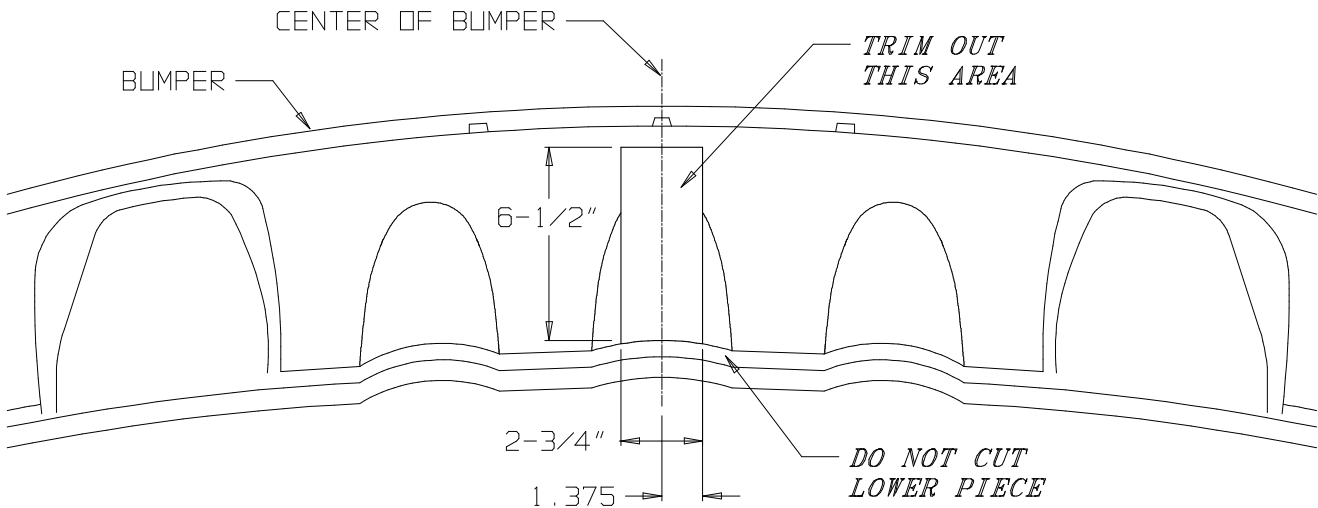
Minor modifications may be required due to variations between vehicles.

1. Cut an opening in the lower bumper plastic as shown in **Figure 1-A** for the '97-'98 models or **Figure 1-B** for the '99 and later models.

**FIGURE 1-A**



**FIGURE 1-B**



2. Install the Receiver between frame and factory tow hooks using the factory bolts as shown in **Figure 2**.

**FIGURE 2**

