



INSTALLATION INSTRUCTIONS

Trans4mer Grille Guard/Winch Mount Kit 39477 (Black) & 39478 (Chrome) For GMC Sierra

As you read these instructions, you may see **NOTES**, **CAUTIONS** and **WARNINGS**. Each message has a specific purpose. **NOTES** are additional information to help you complete a procedure. **CAUTIONS** are safety messages that indicate a potentially hazardous situation which, if not avoided, may result in minor or moderate injury. A **CAUTION** may also be used to alert against unsafe practice. **WARNINGS** are safety messages that indicate a potentially hazardous situation, which, if not avoided could result in serious injury. **CAUTIONS** and **WARNINGS** identify the hazard, indicate how to avoid the hazard, and advise of the probable consequence of not avoiding the hazard. **PLEASE WORK SAFELY!**

NOTE: This installation requires hole drilling. Make sure you have a drill motor and a sharp 7/16" drill bit available. Wear safety goggles.

PARTS LIST

PART NO.	QUANTITY	DESCRIPTION
39474	2	Side Member, Black
or 39475	2	Side Member, Chrome
29365	1	Tube, 1-1/2", Black
or 29398	1	Tube, 1-1/2", Chrome
29366	1	Tube, 2-1/2", Black
or 29399	1	Tube, 2-1/2", Chrome
39087	1	Frame Extension, RH
39088	1	Frame Extension, LH
38782	4	Clamping Strap
39472	2	Upper Bracket
39182	2	Brace
13222	2	Tow Hook, Black
or 13223	2	Tow Hook, Chrome
39202	2	Nut with Handle
29146	2	Nylon Washer, 1-1/2"
29147	2	Nylon Washer, 2-1/2"

TORQUE SPECIFICATIONS

BOLT SIZE	TORQUE
3/8 inch	30 lb. ft (40.7 N-m)
7/16 inch	50 lb. ft. (67.8 N-m)
1/2 inch	75 lb. ft. (101.7 N-m)

This WARN Trans4mer system can be customized to give your GMC Sierra a wide variety of looks, front-end protection and winch mounting capability. The system starts with this strong two-tube grille guard that attaches to the truck's frame with brackets designed by Warn engineers to handle up to a 12000 lb winch. It is durable and good looking as a stand-alone grille guard, but can be easily upgraded with some great options! You can add a third large size tube (light bar) that adds even more protection and includes tabs for mounting auxiliary lights. The tubes can be mounted in a variety of positions to achieve the look and function that you desire. You can mount a winch carrier bracket that provides a permanent mount for a Warn winch. You may also add a receiver bracket that will handle the Warn multi-mount winch system, a draw bar or any other accessory that fits the standard 2 inch receiver tube. Finally, brush guards that protect the headlights and front corners of the truck can be easily added to any of the options above.

NOTE: Follow the instructions step by step for fastest installation. Do not securely tighten fasteners until directed to do so.

1. Remove the grille and bumper. The grille must be removed first to gain access to the bumper bolts. These are easy to remove if the following procedure is followed:
 - a. Open the hood. Remove the four plastic fasteners that attach the plastic shroud to the top of the grille. Pry up the center pin with a screwdriver, then pry out the fastener.
 - b. Remove the bolt just to right of the latch (10mm head).
 - c. Locate the four phillips head plastic fasteners just inboard of the lights. Gently turn ¼ turn counterclockwise while pulling out on the grille to release. Give a sharp pull at extreme outer ends of grille to release the clips. Remove grille.
 - d. Remove the bulb sockets from the back side of the fog lights, if so equipped.
 - e. Remove the bolts from the outer bumper braces just forward of the wheels (15mm head).
 - f. Remove the four remaining bumper bolts (18mm head) and remove bumper.

2. Remove the factory tow hooks.

3. Install the right and left frame extensions as shown in **Figure 1**. On some trucks, the frame holes may need to be enlarged slightly with a round file. Tighten the bottom bolt first, then the two side bolts.

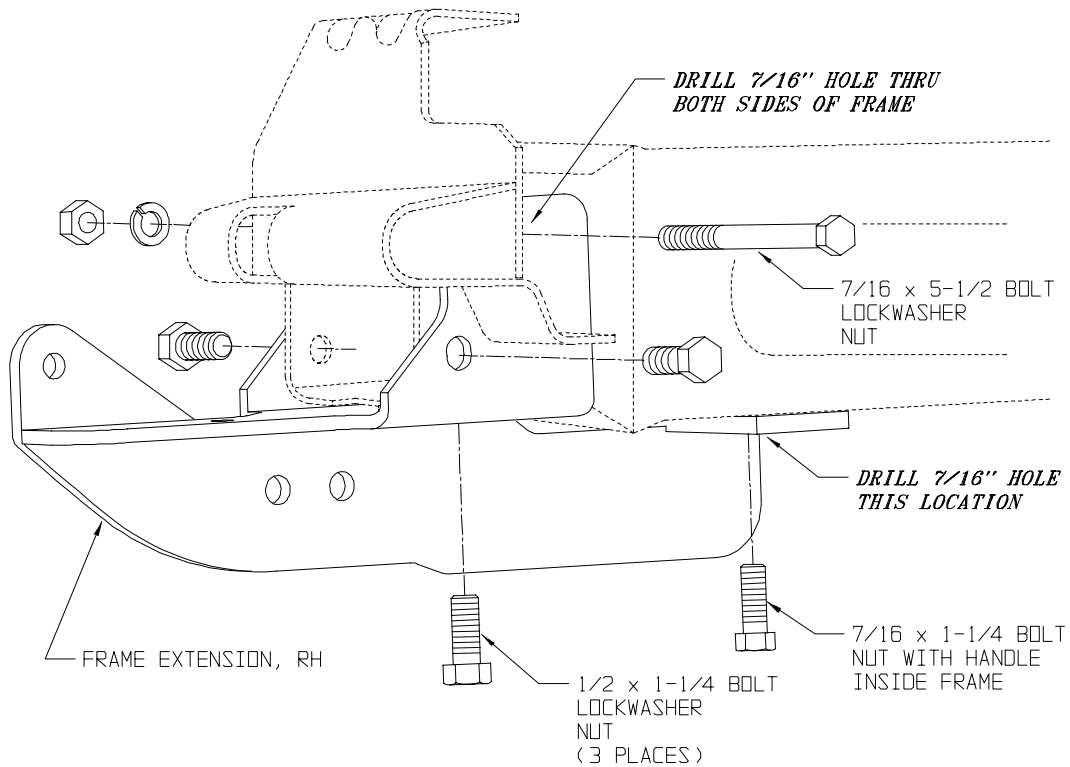




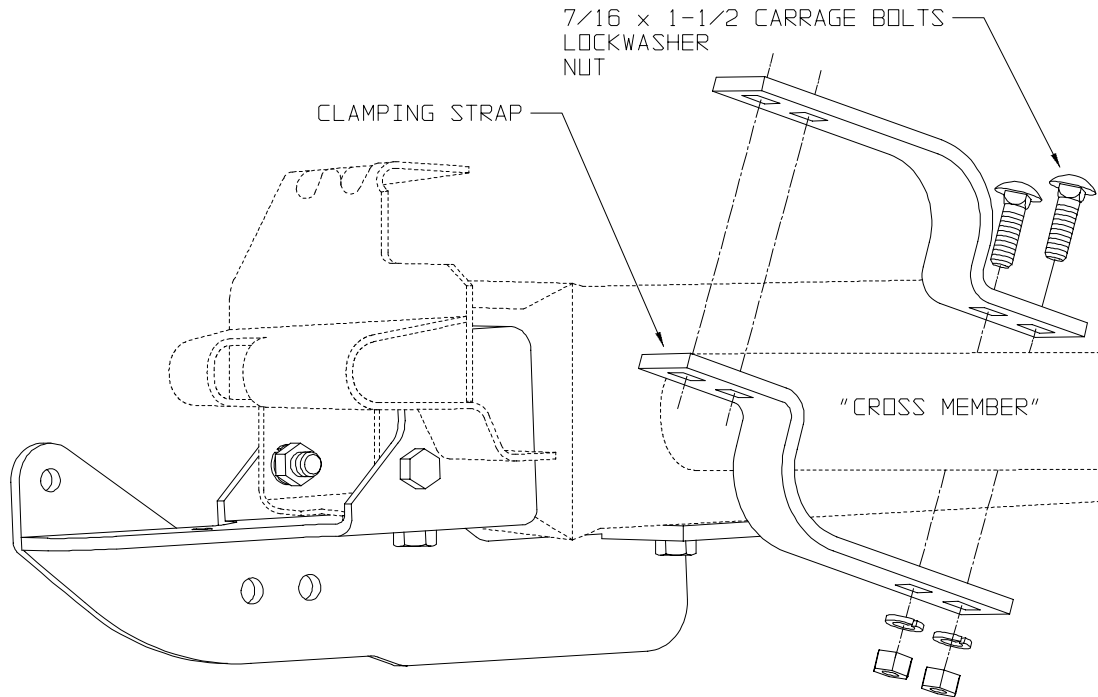
FIGURE 1

4. Using the holes in the frame extensions as guides, drill a 7/16" hole thru the bottom of the frame at the rear end of the brackets. Also drill holes thru both sides of the frame at the upper front holes. At the rear hole, use the "nut with handle" inside the box frame. **Install the fasteners and tighten securely.**

	<u>WARNING</u>
	Drilling operations can cause flying metal chips. WEAR SAFETY GOGGLES. Flying metal chips can cause eye injury.

5. Remove the plastic splash pan/air deflector from the vehicle to expose the tubular front crossmember. Refer to **Figure 2** and loosely install the clamping straps around each end of the crossmember.

FIGURE 2



6. With the bumper on the floor or a bench, trim the lower plastic piece as shown in **Figure 3**. The plastic is easy to cut with a small sharp knife or saw.

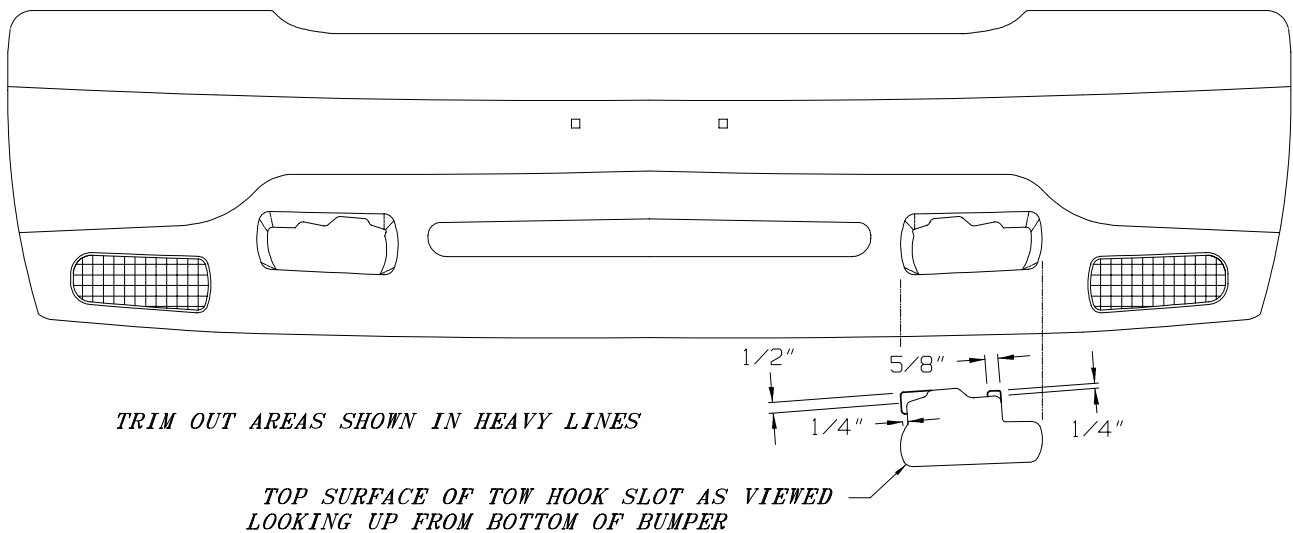


FIGURE 3

7. Reinstall the bumper and grille. Take care to center the bumper side to side before final tightening.
8. Install the side members and the supplied tow hooks as shown in **Figure 4**. **Leave bolts slightly loose.**

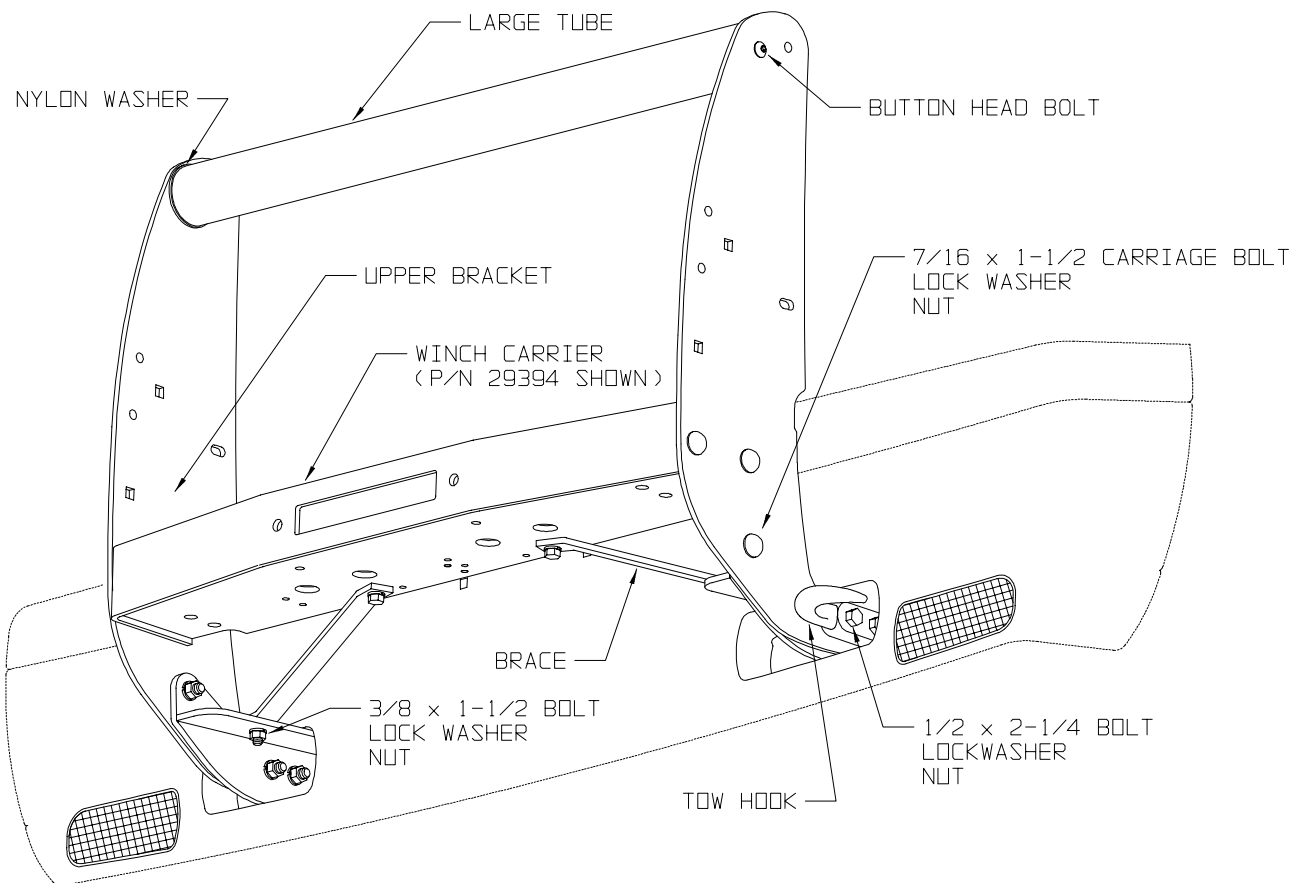
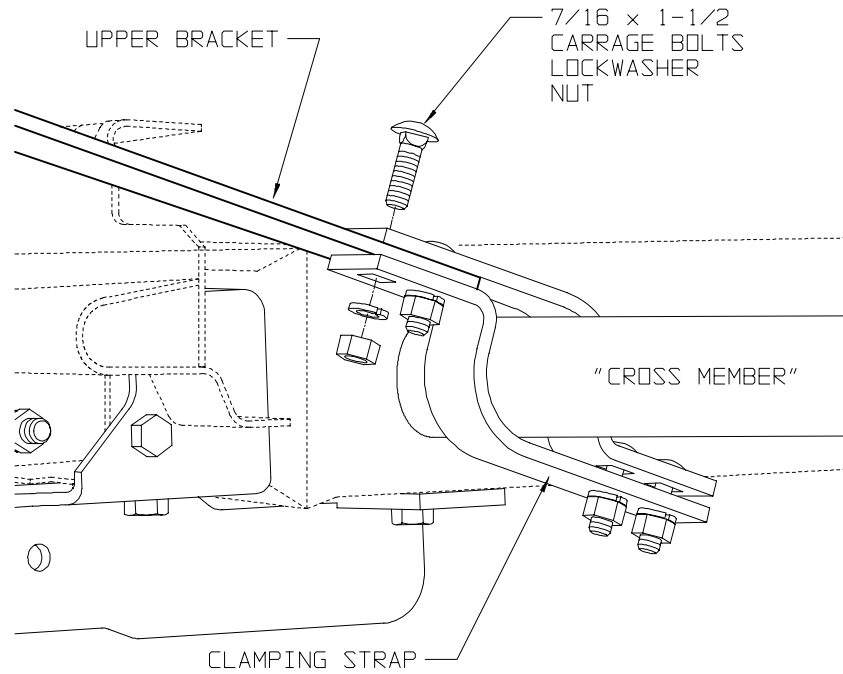


FIGURE 4

9. Install the large size upper straight tube to the upper forward holes of the side members. Also install the winch carrier (if used) at this time. **Leave bolts slightly loose.**
10. The braces shown in **Figure 4** are required when a winch is being mounted. The forward ends attach in different ways depending on which winch carrier is used. If the 29394 carrier is used, the supplied 1-1/2" bolt will extend up thru the brace, carrier and into the winch. On the large 30030 carrier and the receiver, use the bolt with a nut and lock washer in the holes provided. **Leave bolts slightly loose.**
11. Align the grille guard assembly with the vehicle and hold it in place. **Securely tighten all fasteners.**
12. Install the upper brackets down between the top of the bumper and the bottom of the grille. Position them **between the front ends of the clamping straps** as shown in **Figure 5**. Leave the bolts slightly loose and push the clamping straps outboard as far as possible.

FIGURE 5



13. Pull the brackets forward and mark the outer ends for drilling using the side member holes as guides (**Figure 6**). Remove the brackets and drill 7/16 " holes as marked. **Reinstall the brackets and fasteners and tighten securely.** Reinstall the splash pan/air deflector.

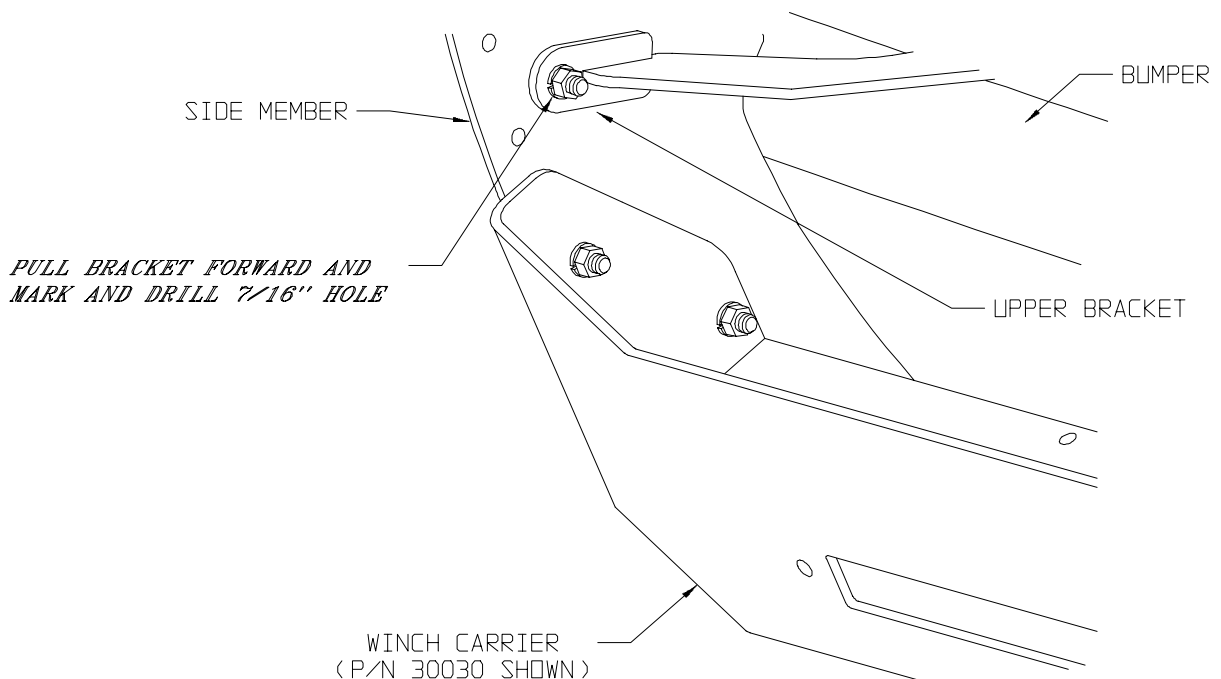
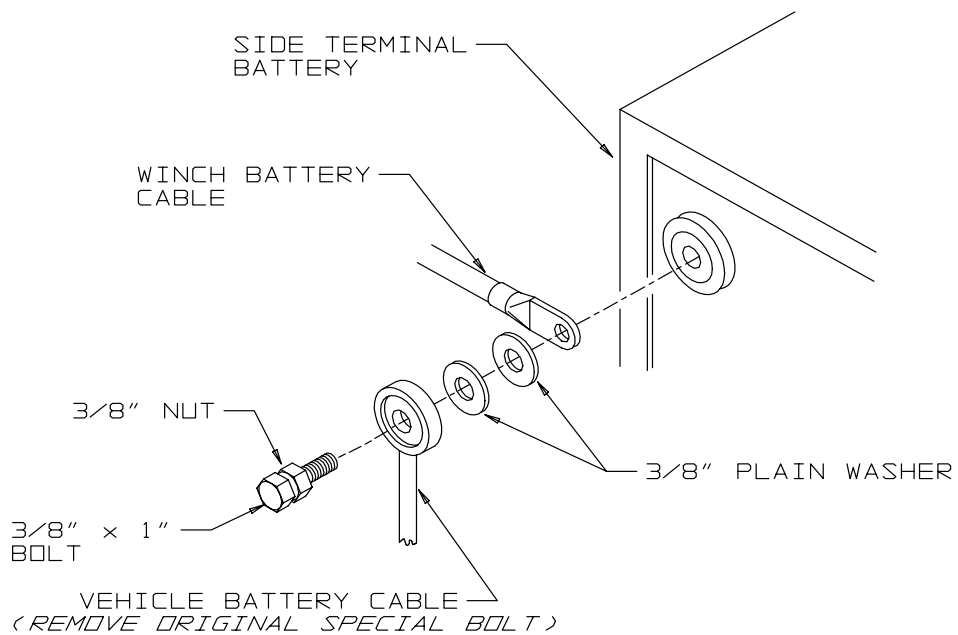


FIGURE 6

14. Complete the winch installation as described in the instructions packaged with the winch. To connect the battery cables to the side terminal battery, use the supplied fasteners as shown in **Figure 7**.

FIGURE 7



15. If a winch carrier is not being used, the plastic plugs can be inserted into the unused square holes in the side members.