



INSTALLATION INSTRUCTIONS

PLOW MOUNTING KIT

PART NUMBER: 79608
APPLICATION: POLARIS 2002-2008
SPORTSMAN 600-800

Your safety, and the safety of others, is very important. To help you make informed decisions about safety, we have provided installation and operating instructions and other information on labels and in this guide. This information alerts you to potential hazards that could hurt you or others. It is not possible to warn you about all potential hazards associated with this product, you must use your own good judgment.

CARELESS INSTALLATION AND OPERATION CAN RESULT IN SERIOUS INJURY OR EQUIPMENT DAMAGE. READ AND UNDERSTAND ALL SAFETY PRECAUTIONS AND OPERATING INSTRUCTIONS BEFORE INSTALLING AND OPERATING THIS PRODUCT.

This guide identifies potential hazards and has important safety messages that help you and others avoid personal injury or death. **WARNING** and **CAUTION** are signal words that identify the level of hazard. These signal words mean:

WARNING signals a hazard that *could* cause serious injury or death, if you do not follow recommendations. **CAUTION** signals a hazard that *may* cause minor to moderate injury, if you do not follow recommendations.

This guide uses **NOTICE** to call attention to important mechanical information, and **Note**: to emphasize general information worthy of special attention.

WARNING

INJURY HAZARD

Failure to observe these instructions could lead to severe injury or death.

- Always** Read the Plow Operator's Manual, the Winch Operator's Manual and all warning labels before operating.
- Always** use extreme caution when drilling on any vehicle. Make sure that all fuel lines, brake lines, electrical wires, and other objects are not punctured or damaged when/if drilling on the vehicle. Thoroughly inspect the area to be drilled (on both sides of material) prior to drilling, and relocate any objects that may be damaged. Failure to inspect the area to be drilled may result in vehicle damage, electrical shock, fire or personal injury.
- Always** wear safety glasses when installing this kit. A drilling operation will cause flying metal chips. Flying chips can cause eye injury.
- Always** use extreme caution when cutting and trimming during fitting.
- Always** remove jewelry and wear eye protection.
- Never** lean over battery while making connections.
- Never route electrical cables:**
 - o Across any sharp edges.
 - o Through or near moving parts.
 - o Near parts that become hot.
- Always** insulate and protect all exposed wiring and electrical terminals.
- Always** install terminal boots as directed in installation instructions.
- Always** use appropriate and adequate care in lifting components into place.
- Always** insure components will remain secure during installation and operation.
- Always** tighten all nuts and bolts securely, per the installation instructions.
- Always** operate the vehicle at a walking speed with the blade installed. Never exceed 5 mph (8 km/h), even with blade up.
- Always** plow cautiously, impact with hidden or stationary object may cause the vehicle to stop suddenly or go out of control.
- Never** operate the vehicle on slopes greater than 10 degrees with the plow installed.
- Never** stand or ride on the plow.
- Always** stay clear of moving parts and joints. Always keep others away when operating or adjusting plow.
- Always** perform regular inspections and maintenance on the plow mechanism, fasteners, cable and related hardware.
- Always** replace all worn or damaged parts before operating.
- Never** operate this WARN product with damaged or missing parts.
- Always** drive slowly over bumpy and rough terrain. Driving at speeds that cause the plow to bounce while in the up position can cause the winch to back-drive, causing the plow to work its way down. This may result in the plow impacting a stationary object and cause damage to the vehicle and operator injury or death.
- Always** drive at speeds such that the plow does not bounce and be aware of the plow position while driving at all times.
- Always** be aware that the purpose of the j-bolt is to break the connection between the plow and the winch, to prevent serious damage to the ATV if the plow is raised too high. The plow blade will drop suddenly if the j-bolt breaks, so always be sure there are no bystanders when you raise and lower the plow.
- Never** raise the top of the plow above the headlights of the ATV, as it may damage the vehicle and plow.
- Always** replace a deformed or broken j-bolt with the spare j-bolt included in the kit.

⚠ CAUTION
Moving Parts Entanglement Hazard
Failure to observe these instructions could lead to minor or moderate injury.
<input type="checkbox"/> Always take time to fully read and understand the installation and Operations Guide included with this product. <input type="checkbox"/> Never operate this product if you are under 16 years of age. <input type="checkbox"/> Never operate this product when under the influence of drugs, alcohol or medications.
Read installation and operating instructions thoroughly.

Notice
Equipment Damage
<p>→ ALWAYS REFER TO THE INSTALLATION AND SPECIFICATION GUIDE, SUPPLIED IN THE WINCH KIT, FOR ALL WIRING SCHEMATICS AND SPECIFIC DETAILS ON HOW TO WIRE THIS WARN PRODUCT TO YOUR VEHICLE.</p> <input type="checkbox"/> Never overtighten the j-bolt to the bracket. Doing so will pinch the winch cable against the bracket, damaging the cable. <input type="checkbox"/> Always put the end of the actuator cable through the slot in the Termination Bracket. Terminating the cable through any other hole in the bracket will cause the bracket to not function properly and will drastically reduce the life of the actuator cable.
Read installation and operating instructions thoroughly.

I. TABLE OF CONTENTS

Tools Required page 2
Torque Specifications page 2
Parts List page 3
Installation page 4 - 6
Maintenance/Carepage page 6

II. TOOLS REQUIRED

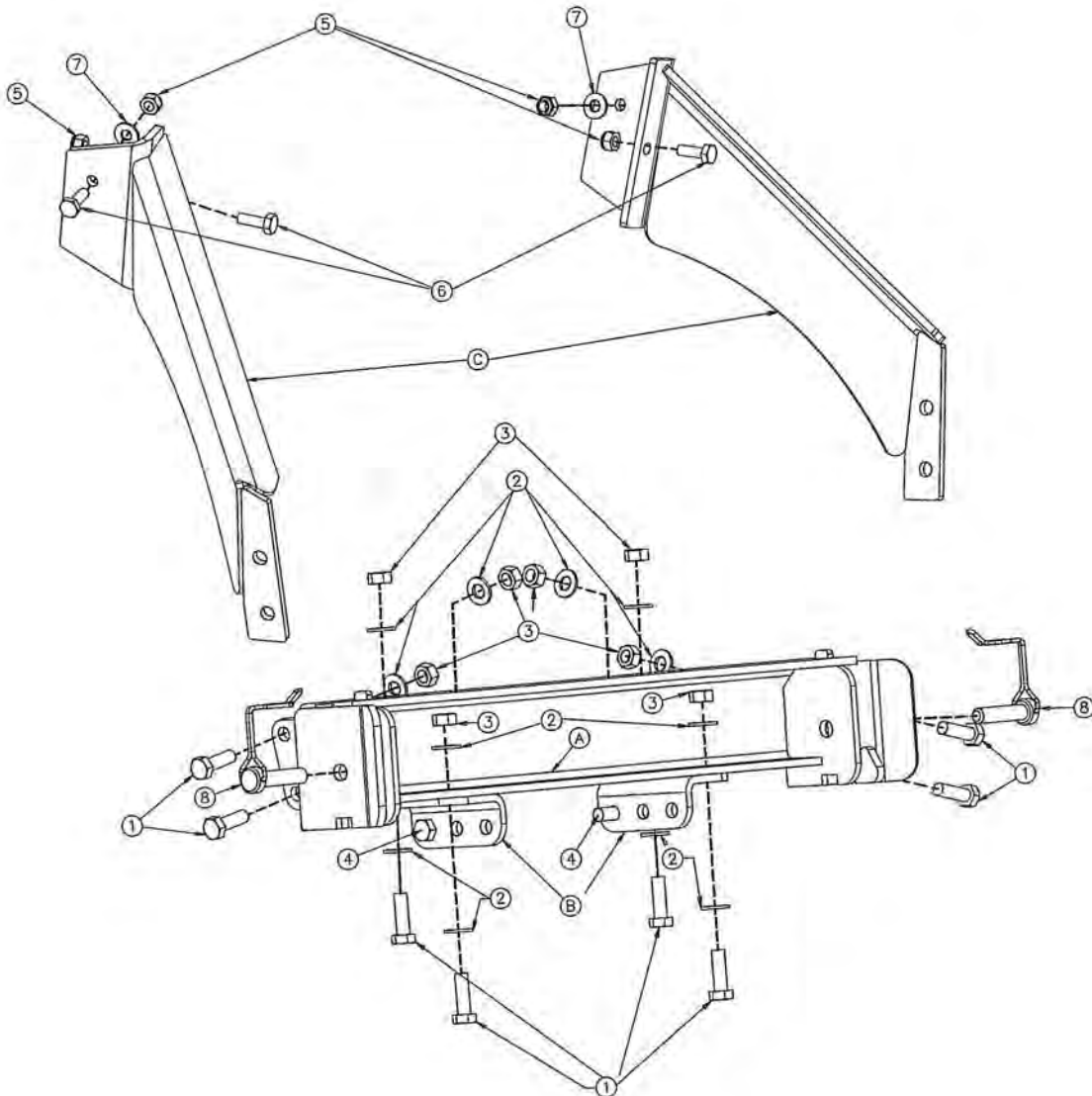
- 3/8" Ratchet with 3-1/2" Extension
- T25 Bit, Flat Head Screwdriver
- 7/16" Deep Socket
- 1/2" Socket
- 7/16" and 1/2" Wrench

III. TORQUE SPECIFICATIONS

1/4	8 lb. ft. (10.8 N-m)
5/16	17 lb. ft. (12.5 N-m)
3/8	30 lb. ft. (40.7 N-m)
7/16	50 lb. ft. (67.8 N-m)
1/2	75 lb. ft. (101.7 N-m)

IV. PARTS LIST

<u>Reference</u>	<u>Qty</u>	<u>Description</u>
1	8	5/16-18x1 Bolt
2	12	5/16 Flat Washer
3	8	5/16 Nylock Nut
4	2	5/16-18x3/4 Bolt
5	4	1/4-20 Nylock Nut
6	4	1/4-20x3/4 Bolt
7	4	1/4 Flat Washer
8	2	Plow Pin
A		Channel Weldment
B		Lower Tabs
C		Uprights



V. INSTALLATION

1. Remove the radiator side covers. Using a flathead screwdriver, remove the 6 plastic rivets (3 per side) holding the radiator side covers to the frame, see Figure 1.

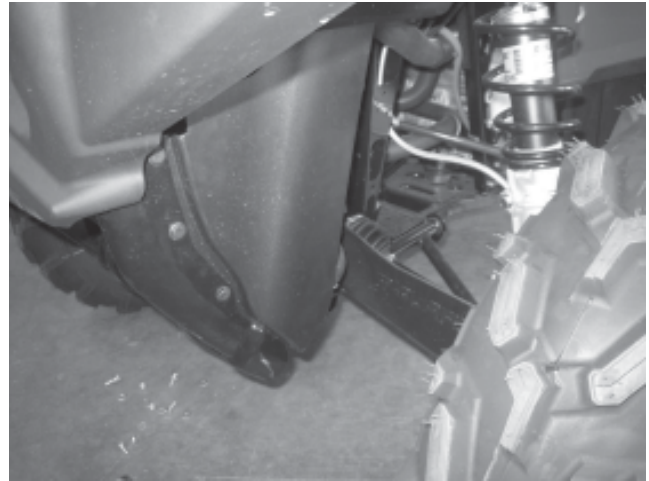


Figure 1

2. Remove the front A-arm guards. Using a T25 bit, remove the 6 screws (3 per side) securing the A-arm guards to the A-arms, see Figure 1.

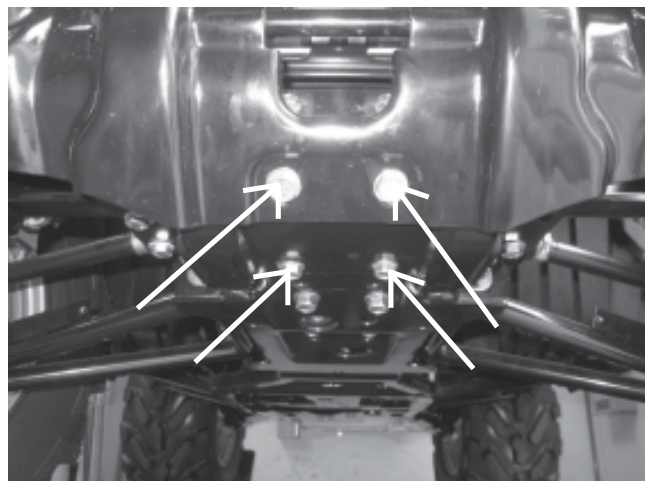


Figure 2

3. Loosen the front and front bottom frame bolts shown in Figure 2. Leave the bolts in the holes but make sure they are not protruding through the back of the sheet metal as they will get in the way while passing the channel through the frame.

4. Turn the tire to one direction to allow Part A to pass through the frame and rest it on the bottom frame rail, see Figure 3.



Figure 3

INSTALLATION Continued

5. Retighten the front and front bottom frame bolts shown in Figure 2. Remove the two side frame rail bolts (1 per side), see Figure 4. These will be used in the front hole in which Part B connects to the frame rail.
6. Install Part B on both sides. Place the 2 supplied $5/16"$ x $3/4"$ bolts through the rear holes of Part B and into the bottom frame rail. Tighten to the specified torque in Table 1. Place the side frame rail bolt removed in Step 5 in the front hole and thread into hole, see Figure 5. Make sure to tighten straight into the hole. These bolts are self tapping and will tap their own thread while tightening.
7. Secure Part A to Part B (2X). For each side, place (2) $5/16"$ x 1" bolts with $5/16$ washers through the slotted holes of Part B and through the bottom holes of Part A. Secure with a $5/16"$ washer and a $5/16"$ Nylock Nut, see Figure 6.

NOTE: Make sure the head of the bolt is on the bottom of the bike to prevent the bolt from catching any foreign objects.

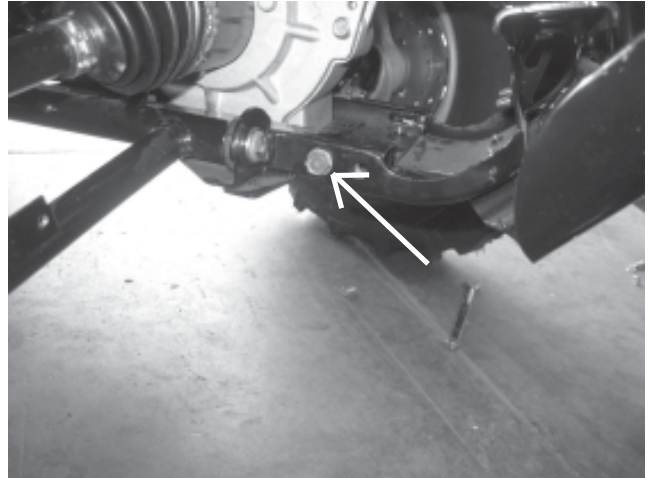


Figure 4

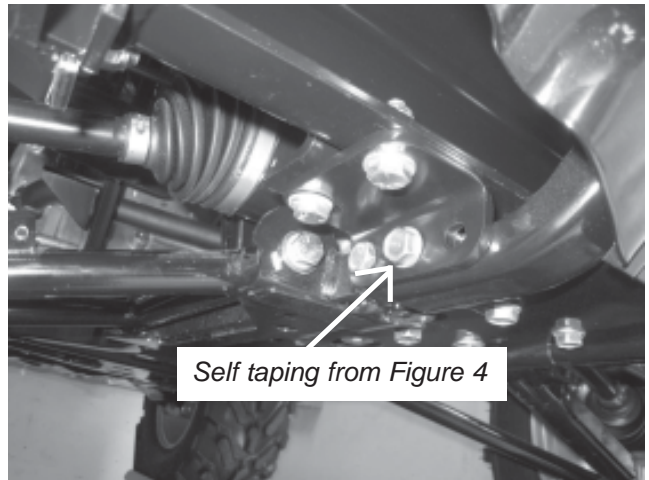


Figure 5

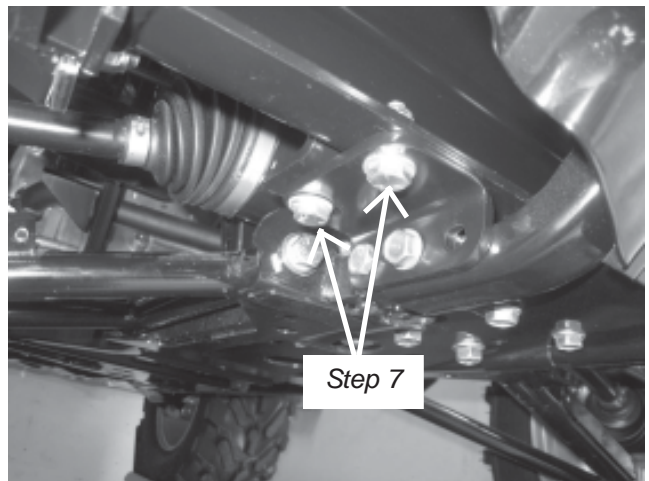


Figure 6

INSTALLATION Continued

8. Install Part C (2X). Place each side of Part C against the outside of the tabs of Part A. Place (2) 5/16" x 1" bolts through each side and secure with a 5/16" washer and 5/16" nylock nut. Do not tighten. Align the holes in the top of Part C with the holes on the upright frame rail of the vehicle. Place a 1/4" x 3/4" bolt through each hole. Secure the front bolts with a 1/4" nylock nut, and secure the side bolts with a 1/4" washer and a 1/4" nylock nut, see Figure 7. Tighten the 4 bolts to torque specified in Section III.

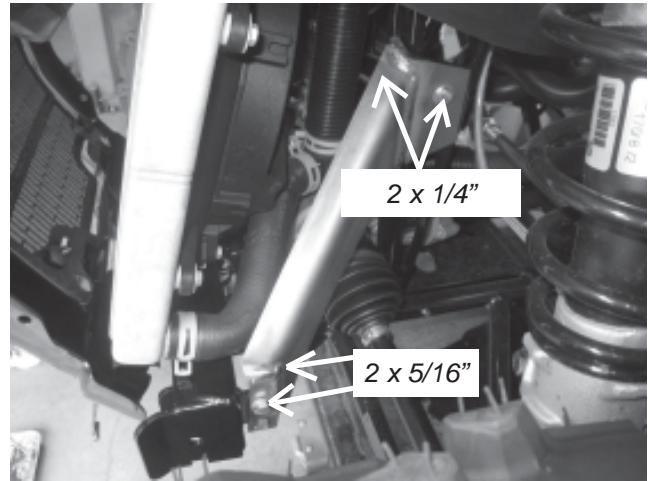


Figure 7

9. Tighten bolts securing (2) Part C to Part A to torque specified in Section III. Tighten bolts securing (2) Part B to Part A to torque specified in Section III.
10. It is recommended to reinstall the side radiator covers to protect the radiator. To do this use a cutting tool to cut out a slot that will allow the covers to fit in their slots while also clearing the upright brackets that were just installed.

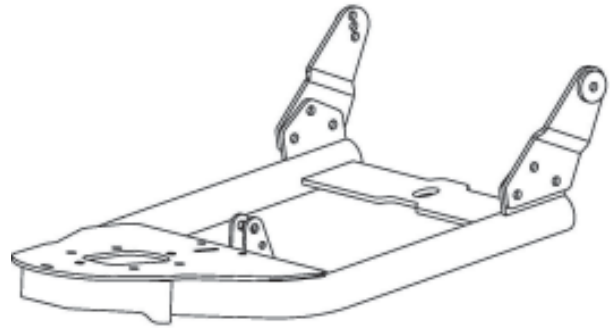


Figure 8

11. Finally install the plow mounting tabs to your Plow Tube Assembly, see Figure 8. Place them on the outside of the rail mounting point, with the jog heading away from the center (The widest configuration possible). Install these loosely on the plow with the fasteners provided with the plow. Tighten the fasteners after the plow is assembled and installed in the mount according to the plow assembly instructions.

VI. MAINTENANCE/CARE

- Inspect all metal parts on the plow, plow mount, and related hardware. Replace all parts that appears rusted or deformed prior to use.
- Inspect all nuts and bolts on the plow, plow mount, and related hardware prior to each use. Tighten all nuts and bolts that appear to be loose. Stripped, fractured, or bent bolts or nuts need to be replaced immediately.
- Check all cables prior to use. Replace cables that are worn or frayed.
- Check all moving and rotating parts. Remove debris that may inhibit the part from moving freely.