



INSTALLATION INSTRUCTIONS

HEADLIGHT GUARD KIT

TRANS4MER GEN II

Your safety, and the safety of others, is very important. To help you make informed decisions about safety, we have provided installation and operating instructions and other information on labels and in this guide. This information alerts you to potential hazards that could hurt you or others. It is not possible to warn you about all potential hazards associated with this product, you must use your own good judgment.

CARELESS INSTALLATION AND OPERATION CAN RESULT IN SERIOUS INJURY OR EQUIPMENT DAMAGE. READ AND UNDERSTAND ALL SAFETY PRECAUTIONS AND OPERATING INSTRUCTIONS BEFORE INSTALLING AND OPERATING THIS PRODUCT.

This guide identifies potential hazards and has important safety messages that help you and others avoid personal injury or death. **WARNING** and **CAUTION** are signal words that identify the level of hazard. These signal words mean:

⚠ WARNING signals a hazard that could cause serious injury or death, if you do not follow recommendations.

⚠ CAUTION signals a hazard that may cause minor to moderate injury, if you do not follow recommendations.

This guide uses **NOTICE** to call attention to important mechanical information, and **Note:** to emphasize general information worthy of special attention.

NOTICE

Failure to observe these instructions could lead to equipment damage.

- Always** use appropriate and adequate care in lifting components into place.
- Always** insure components will remain secure during installation and operation.
- Always** tighten all nuts and bolts securely, per the installation instructions.

I. TOOLS REQUIRED

3/16 ALLEN WRENCH

9/16" SOCKET

RATCHET

11/16" SOCKET

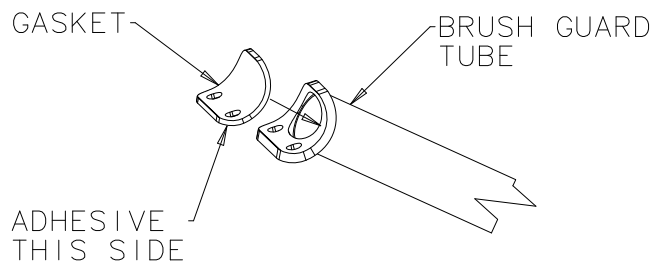
II. TORQUE SPECIFICATIONS

5/16 11 lb. ft. (14.9 N-m)

3/8 30 lb. ft. (40.7 N-m)

7/16 50 lb. ft. (67.8 N-m)

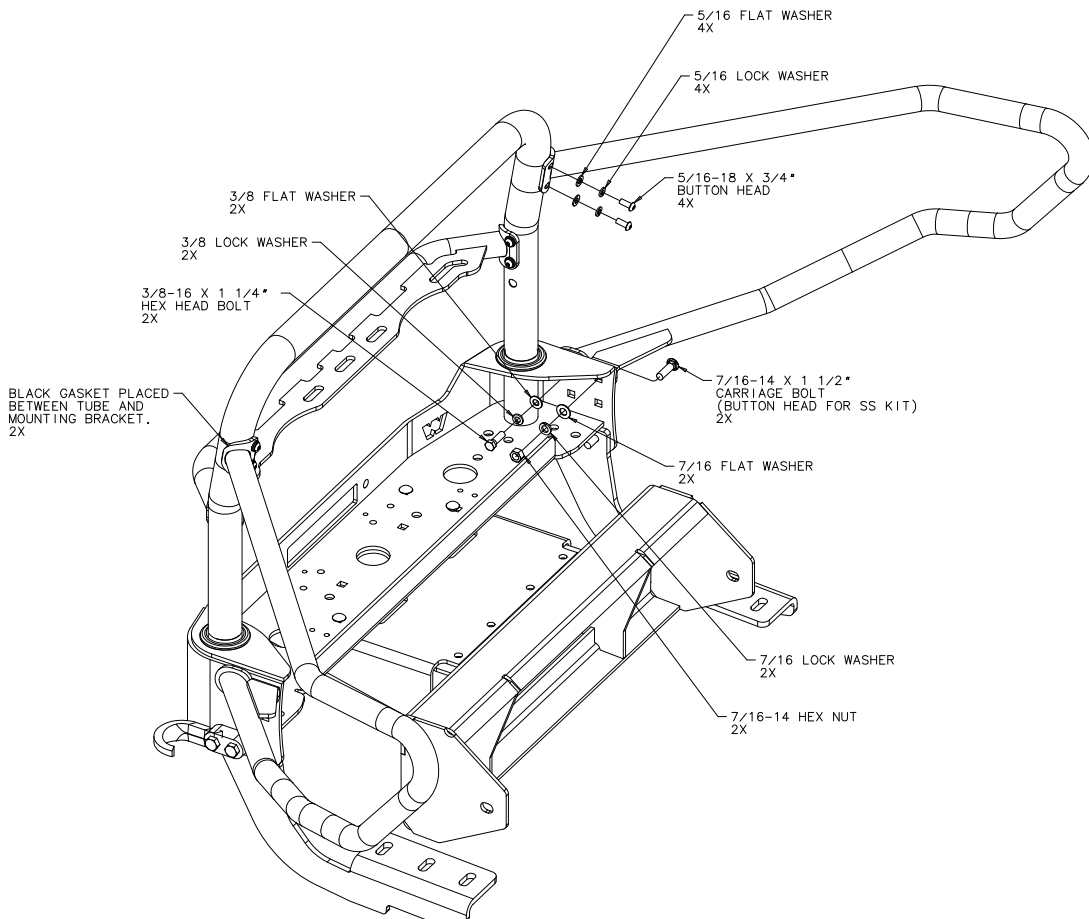
III. INSTALLATION DIAGRAM



GASKET INSTALLATION DIAGRAM

IV. INSTALLATION

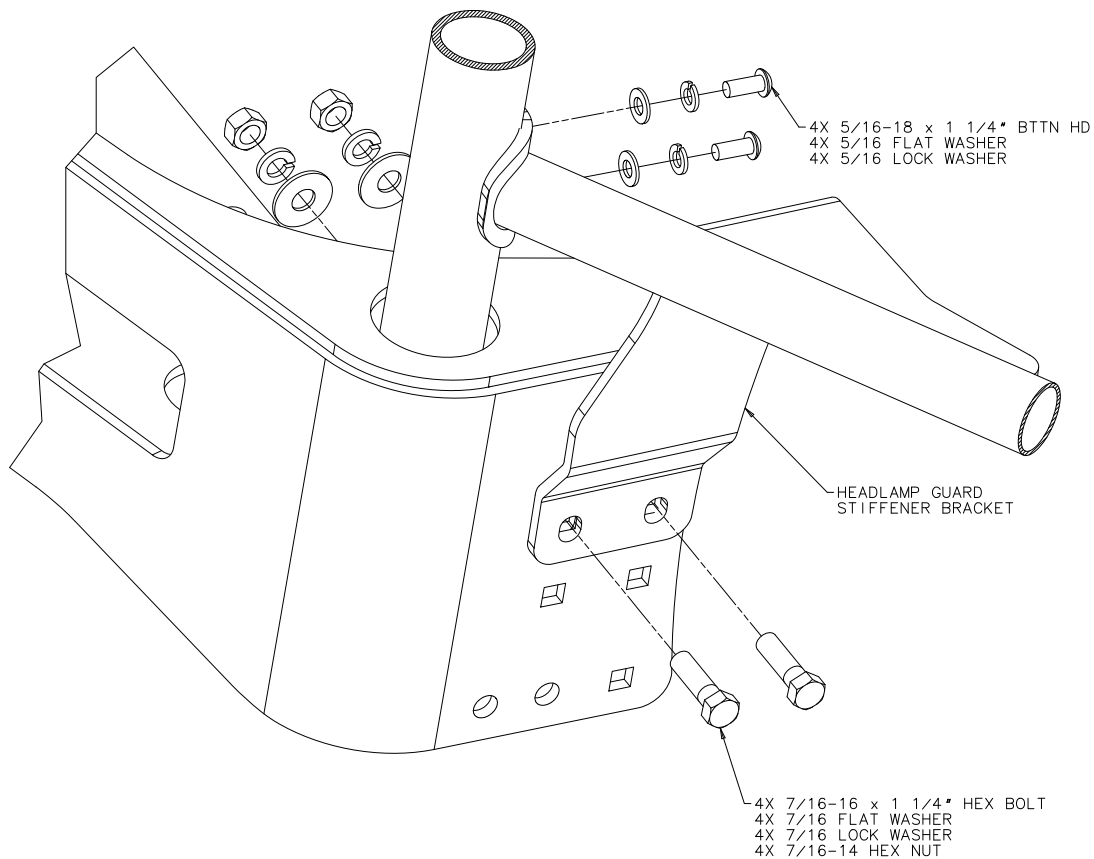
1. Remove paper backing from gasket.
2. Align gasket with curved brush guard bracket and press in place.
3. Lift brush guard into place and install 5/16-18 x 3/4" button head screw, flat washer and lock washer through curved bracket and into the threaded inserts in the back of the center tube. (See brush guard installation diagram).
4. Align holes in bottom bracket with holes in Trans4mer and install 7/16-14 x 1 1/2" carriage bolt (button head for stainless kit) in the rear hole of bottom bracket. **If your headlamp guard bottom tubes do not mount as shown skip to page 3.**
5. Install flat washer, lock washer, and hex nut onto bolt. (Do not tighten).
6. Place lock washer on 3/8-16 x 1 1/4" hex head bolt, then place the flat washer onto the bolt.
7. Install the bolt with washers into the brush guard tube from inside the winch carrier as shown in the brush guard installation diagram. (Do not tighten).
8. Repeat steps 1 through 7 for the other brush guard.
9. Tighten all bolts to the torque specified. Ensure all bolts are tight and brush guards are secure.



BRUSH GUARD INSTALLATION DIAGRAM
(Diagram may vary depending on vehicle.)

HEAD LAMP GUARDS WITH STIFFENER BRACKETS:

4. Install 5/16-18 x 3/4" button head screw, flat washer and lock washer through lower curved bracket and into the threaded inserts in the back of the center tube.
5. Attach the stiffener bracket to the winch carrier as shown below using 7/16 x 1 1/4" hex bolts, flat washers, lockwashers and hex nuts.
6. Repeat steps 1 through 5 for other side.
7. Tighten all bolts to the torque specified. Ensure all bolts are tight and headlamp guards are secure.



Large Frame Carrier shown: Mid Frame Carrier similar.
(Diagram may vary depending on vehicle.)