



INSTALLATION INSTRUCTIONS FRONT A-ARM BODY ARMOR

Part Number: 78278

Application: 2008-2009 Polaris Ranger XP

Your safety, and the safety of others, is very important. To help you make informed decisions about safety, we have provided installation and operating instructions and other information on labels and in this guide. This information alerts you to potential hazards that could hurt you or others. It is not possible to warn you about all potential hazards associated with this product, you must use your own good judgment.

CARELESS INSTALLATION AND OPERATION CAN RESULT IN SERIOUS INJURY OR EQUIPMENT DAMAGE. READ AND UNDERSTAND ALL SAFETY PRECAUTIONS AND OPERATING INSTRUCTIONS BEFORE INSTALLING AND OPERATING THIS PRODUCT.

This guide identifies potential hazards and has important safety messages that help you and others avoid personal injury or death. **WARNING** and **CAUTION** are signal words that identify the level of hazard. These signal words mean:

WARNING signals a hazard that *could* cause serious injury or death, if you do not follow recommendations. **CAUTION** signals a hazard that *may* cause minor to moderate injury, if you do not follow recommendations.

This guide uses **NOTICE** to call attention to important mechanical information, and **Note**: to emphasize general information worthy of special attention.

WARNING INJURY HAZARD

Failure to observe these instructions could lead to severe injury or death.

- Always** Read all warning labels before operating.
- Always** use extreme caution when drilling on any vehicle. Make sure that all fuel lines, brake lines, electrical wires, and other objects are not punctured or damaged when/if drilling on the vehicle. Thoroughly inspect the area to be drilled (on both sides of material) prior to drilling, and relocate any objects that may be damaged. Failure to inspect the area to be drilled may result in vehicle damage, electrical shock, fire or personal injury.
- Always** wear safety glasses when installing this kit. A drilling operation will cause flying metal debris.
- Always** use extreme caution when cutting and trimming during fitting.
- Always** remove jewelry and wear eye protection.
- Never** lean over battery while making connections.
- Always** insure components will remain secure during installation and operation.
- Always** tighten all nuts and bolts securely, per the installation instructions.
- Always** inspect, tighten, and replace damaged hardware before use.
- Always** replace all worn or damaged parts before operating.
- Never** operate this WARN product with damaged or missing parts.
- Never** work under vehicle before properly securing vehicle.

NOTICE

- Product may affect airflow to vehicle engine and drivetrain components.
- Installation of this accessory may affect vehicle warranty.
- This product will NOT protect vehicle from all impacts and terrain conditions.

⚠Caution
Moving Parts Entanglement Hazard
Failure to observe these instructions could lead to minor or moderate injury.
<input type="checkbox"/> Always take time to fully read and understand the installation and Operations Guide included with this product. <input type="checkbox"/> Never operate this product if you are under 16 years of age. <input type="checkbox"/> Never operate this product when under the influence of drugs, alcohol or medications.
Read installation and operating instructions thoroughly.

I. TABLE OF CONTENTS

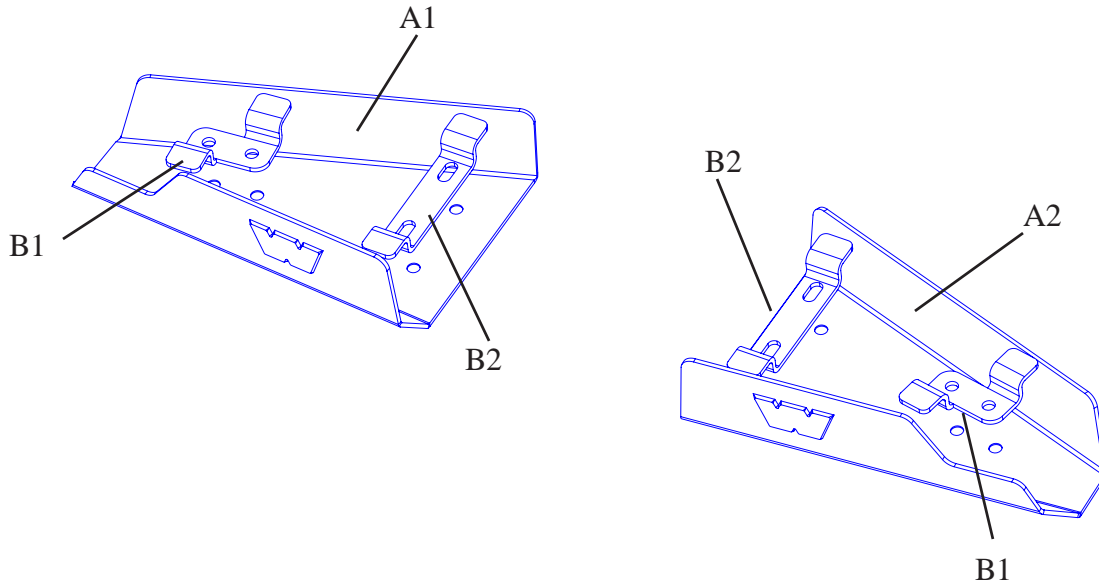
Before You Begin	page 2
Parts List	page 3
Tools Required	page 3
Torque Specifications	page 3
Installation	page 4
Maintenance/Care	page 5

II. BEFORE YOU BEGIN

⚠Caution
Injury Hazard
Failure to observe these instructions could lead to injury.
<input type="checkbox"/> Part edges may be sharp!

Installation tip:

- Apply electrical tape to clean dry vehicle components that will be in direct contact with aluminum skid plates. Tape will help protect painted finish against abrasion and can reduce tendency of squeaks.
- Raising the vehicle on a hoist or ramps may ease installation of this product.
- A second person may helpful in holding larger panels in place for hole drilling and fastening.
- Center punching drilling locations and drilling holes that are squared with vehicle will ensure proper installation of fasteners.



III. PARTS LIST

Reference	Part Number	Qty	Description
A1	78412	1	GUARD A_ARM FRONT RIGHT
A2	78413	1	GUARD A_ARM FRONT LEFT
B1	80934	2	BRACKET FRONT
B2	80989	2	BRACKET REAR
B3	75696	8	CAP SCREW FLAT HEX HEAD M8
B4	22491	8	NUT LOCKING M8
B5	1324	8	FLAT WASHER

IV. TOOLS REQUIRED

- SOCKET OR WRENCH 13MM
- ALLEN HEAD WRENCH 5MM
-

V. TORQUE SPECIFICATIONS

<u>Fastener Size</u>	<u>Torque lb.ft. (n-m)</u>
M8	12lb. ft. (10.8 N-m)

VI. INSTALLATION

1. Remove the factory a-arm guards from the front a-arms
2. Place the front right a-arm guard (A1) into position on the front a-arm, see figure 1.



Figure 1

3. Attach the front right a-arm guard (A1) using 1 of the front brackets (B1) and 1 of the rear brackets (B2). Each bracket will be attached using the M8 flat hex head bolt, locking M8 hex nut and flat washer, see figure 2 and 3. Do not tighten all the fasteners down at this point, it will be easier to remove the protective covering before all the fasteners are torqued down.

Note: Use caution to ensure skid plate will not pinch wire harness when installed. Adjust wire harness position if needed so skid plate does not pinch harness



Figure 2

4. Repeat steps 1,2, and 3 for the left side front a-arm guard (A2).
5. After removing the protective covering torque down all the fasteners.

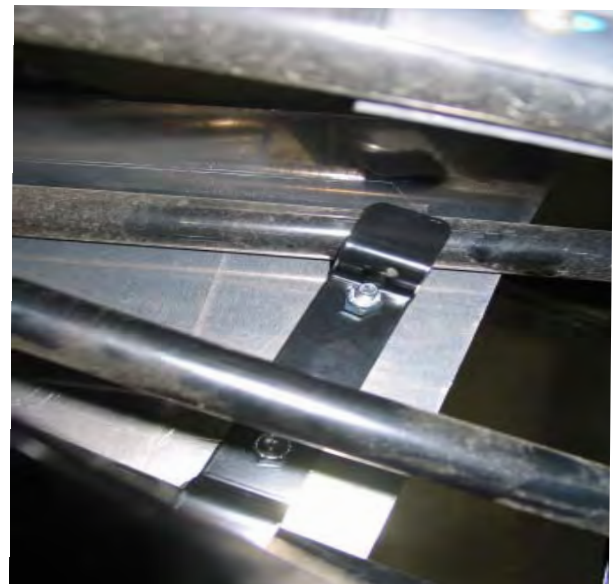


Figure 3

VII. MAINTENANCE/CARE

- Inspect all metal parts and related hardware. Replace all parts that appear corroded, cracked or deformed prior to use.
- Inspect all nuts and bolts and related hardware prior to each use. Tighten all nuts and bolts that appear to be loose. Stripped, fractured, or bent bolts or nuts need to be replaced immediately.
- Check skid plates protecting moving or rotating parts of the vehicle . Remove debris that may inhibit the part from moving freely. Removal of aluminum armor may be necessary to thoroughly clean and inspect both the vehicle and the aluminum underbody components. Frequency of removal will depend on the type of terrain conditions experienced. Regular cleaning will help keep product looking good and will help avoid damage to related components.

Contact Warn customer service with installation issues, comments, concerns, and questions.

WARN INDUSTRIES, INC

**Customer Service Department
12900 SE Capps Road
Clackamas, OR 97015
1-800-543-WARN (1-800-543-9276)
1-503-722-3005 International Fax
www.warn.com**