



# INSTRUCTIONS—INSTRUCCIONES—CONSIGNES

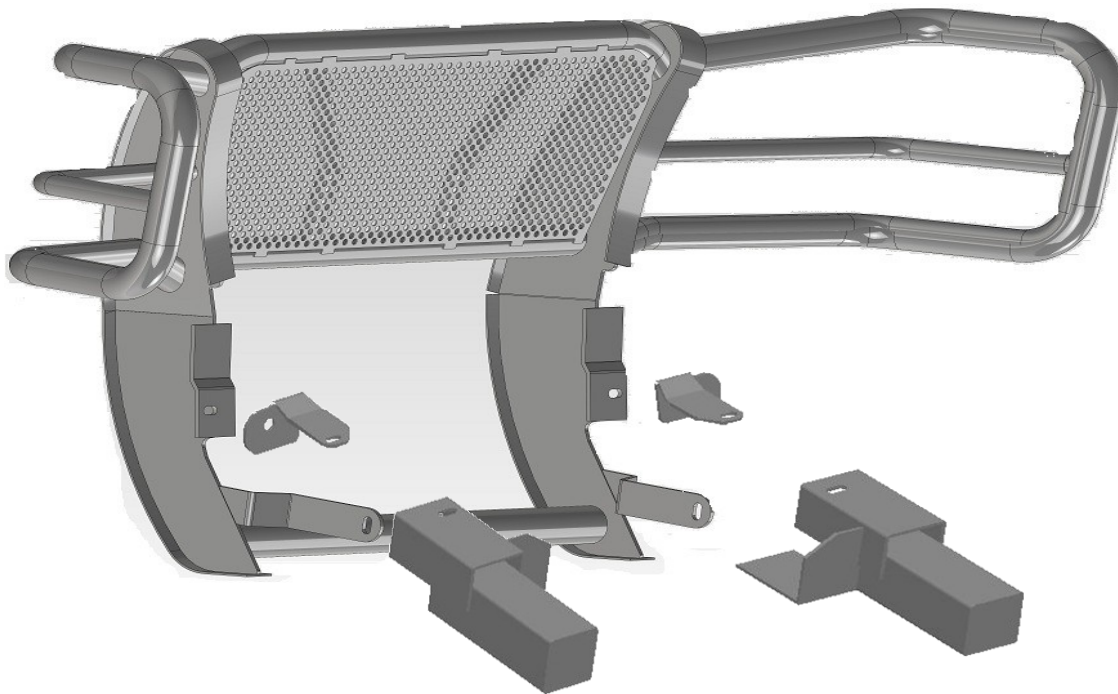
APPLICATION: 2003-2007 CHEVY SILVERADO 1500 HD/ 2500 LD  
PART # 57-1910, 57-1915  
HDX GRILLE GUARD

SIGNATURE OF QUALITY

AUTOMOTIVE PRODUCTS, INC.

ITEM	QUANTITY	DESCRIPTION	TOOLS NEEDED
1	1	GRILLE GUARD	3/4 SOCKET
2,3	2	BUMPER SUPPORT BRACKETS 2(DRIVERS SIDE), 3 (PASSENGER SIDE)	RATCHET
4	2	1/2" HEX HEAD BOLT	TORQUE WRENCH
5	2	1/2" LOCK WASHERS	
6	2	1/2" HEX NUTS	
7	2	1/2" FLAT WASHER	
8	2	1/2" LARGE FLAT WASHER	

1. Remove all contents from box, verify all parts listed are present and free from damage. Carefully read and understand all instructions before attempting installation.
2. Remove lower bumper support bolt located on the engine side of frame.(Note: Do not remove factory bumper). Install bumper support bracket behind bumper and to the top of frame. Insert bolt and slide bumper support bracket forward to the backside of the chrome bumper. Tighten bolt.(Hint-Brackets should point away from each other when placed against the back of the factory bumper.).
3. Remove inside bolt that connects tow hook to frame. NOTE: DO NOT REMOVE TOW HOOK.
4. Align grille guard to truck and drill 1/2 inch hole through chrome bumper and bumper support bracket installed in step 2.
5. Insert 1/2× 1-3/4 inch bolts through grille guard, chrome bumper, and bumper support bracket. Attach with 2 1/2" flat washers , 2 1/2' large flat washers, 2 1/2" lock washers, and 2 1/2" Hex nuts.
6. Place grille guard through bumper and line up with the existing frame re attach with factory support bolt.
7. Torque all 1/2" hardware to 55-60 ft lbs.



Westin Automotive Products, Inc.  
5200 N. Irwindale Ave. Ste 220  
Irwindale, Ca 91706

Thank You for choosing Westin products  
For additional installation assistance please call  
Customer Service (800) 793-7846  
[www.westinautomotive.com](http://www.westinautomotive.com)