



INSTRUCTIONS—INSTRUCCIONES—CONSIGNES

APPLICATION: 99.5-04 NISSAN PATHFINDER/ INFINITI QX4 4DR
APP PART # 23-1850, 23-1855
3" ROUND STEP BARS

AUTOMOTIVE PRODUCTS, INC.

ITEM	QUANTITY	DESCRIPTION	TOOLS NEEDED
1	2	STEP BARS	18MM SOCKET
2,3	2	FRONT MOUNTING BRACKETS (2) DRIVERS SIDE, (3) PASSENGER SIDE	18MM WRENCH
4,5	2	REAR MOUNTING BRACKET (4) DRIVERS SIDE, (5) PASSENGER SIDE	13MM SOCKET
6	12	M8 HEX HEAD BOLTS	RATCHET
7	12	M8 FLAT WASHERS	TORQUE WRENCH
8	8	M12 HEX HEAD BOLTS	
9	16	M12 FLAT WASHERS	
10	8	M12 HEX NUTS	

1. Remove contents from box ,verify all parts listed are present and free from damage. Carefully read and understand all instructions before attempting installation.
2. Locate the drivers side front mounting bracket, starting from the underside of the vehicle locate the threaded inserts in the frame that align with the front mounting bracket, attach the bracket to these threaded inserts using (2) M8 hex head bolts, and (2) M8 flat washers. Do not fully tighten at this time.
3. Locate the drivers side rear mounting bracket, from the under side of the vehicle locate the threaded inserts in the frame that align with the rear mounting bracket, attaché the bracket to the threaded inserts using (4) M8 hex head bolts, and (4) M8 flat washers. Do not fully tighten at this time.
4. Take the drivers step bar and align it with the two previously installed mounting brackets. Attach the step bar to the brackets using (4) M12 hex head bolts, (8) M12 flat washers, (4) M12 lock washers , and (4) M12 hex nuts.
5. Align and adjust step bar as needed then fully tighten all hardware at this time. Torque all M12 fasteners to 50-55 ft lbs and M8 hardware to 30-35 ft lbs.
6. Repeat steps 2-5 for passenger side.

CARE INSTRUCTIONS

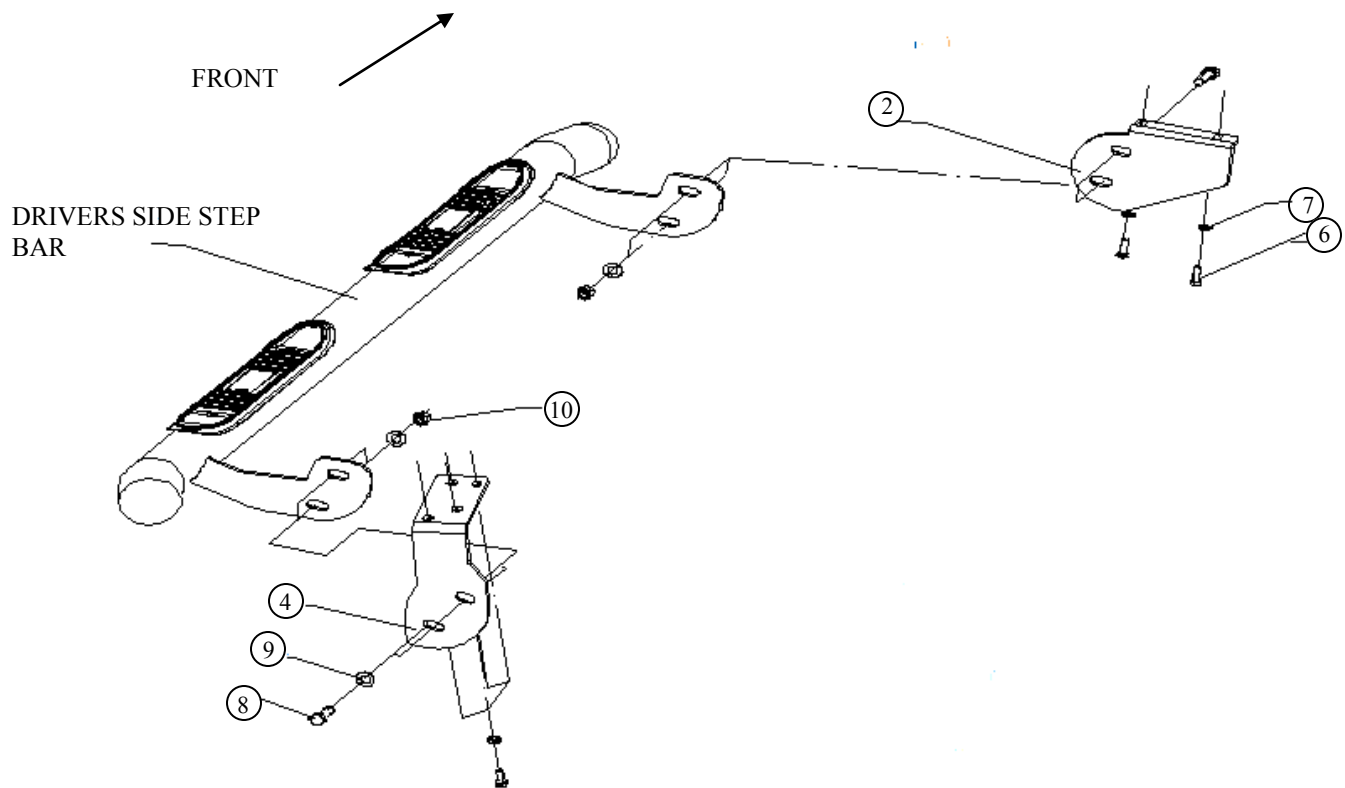
- REGULAR WAXING IS RECOMMENDED. DO NOT USE ANY TYPE OF POLISH OR WAX THAT MAY CONTAIN ABRASIVES
- STAINLESS STEEL PRODUCTS CAN BE CLEANED WITH MILD SOAP AND WATER. STAINLESS STEEL POLISH SHOULD BE USED TO POLISH SMALL SCRATCHES.
- GLOSS BLACK FINISHES SHOULD BE CLEANED WITH MILD SOAP AND WATER



Westing Automotive Products, Inc.
5200 N. Irwindale Ave. Suite 220
Irwindale, Ca. 91706

5/12/2011 P.N.: 75-0047-Rev A

Thank You for choosing Westin products
For Additional installation assistance please call
Customer service (800) 793-7846
www.westinautomotive.com



Westing Automotive Products, Inc.
 5200 N. Irwindale Ave. Suite 220
 Irwindale, Ca. 91706

5/12/2011 P.N.: 75-0047-Rev A

Thank You for choosing Westin products
 For Additional installation assistance please call
 Customer service (800) 793-7846
www.westinautomotive.com