



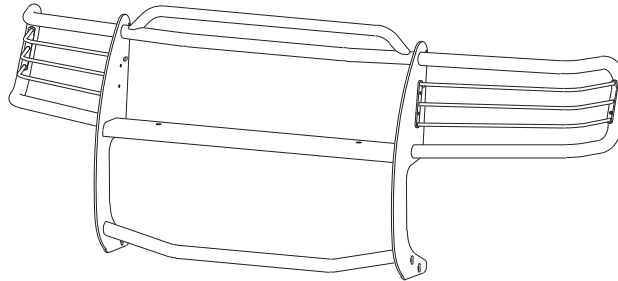
# INSTALLATION INSTRUCTIONS

APPLICATION: 2004-UP DODGE DURANGO 2/4 WHEEL DRIVE

## AUTOMOTIVE PRODUCTS, INC.

SPORTSMAN  
ASSEMBLY

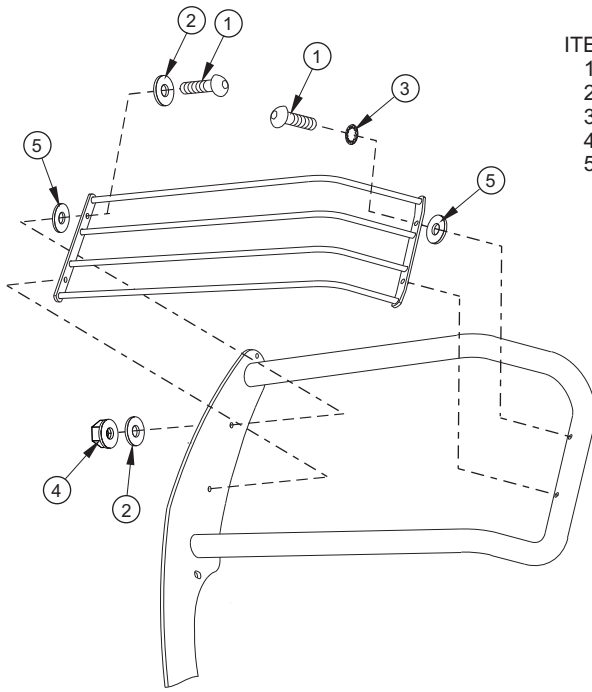
**40-1545**



### PARTS KIT CONTENTS

ITEM	QTY	DESCRIPTION	TOOLS REQUIRED
1	1	SPORTSMAN ASSEMBLY	3/4" SOCKET
2	2	LIGHT GUARD ASSEMBLY	3/4" WRENCH
3	2	TOP BRACKET, PASSENGER AND DRIVER	9/16" SOCKET
4	2	BOTTOM BRACKET, PASSENGER AND DRIVER	9/16" WRENCH
5	2	SUPPORT BRACE, PASSENGER AND DRIVER	7/16" WRENCH
6	8	1/2-13 X 1.25" HEX HEAD BOLT	5/32" HEX WRENCH
7	16	1/2" FLAT WASHER	18MM SOCKET
8	8	1/2" LOCK WASHER	18MM WRENCH
9	8	1/2-13 HEX NUT	18MM SOCKET
10	4	3/8-16 X 1.25" HEX HEAD BOLT	13MM SOCKET
11	8	3/8" FLAT WASHER	RATCHET
12	4	3/8" LOCK WASHER	SOCKET EXTENSION
13	4	3/8-16 HEX NUT	TORQUE WRENCH

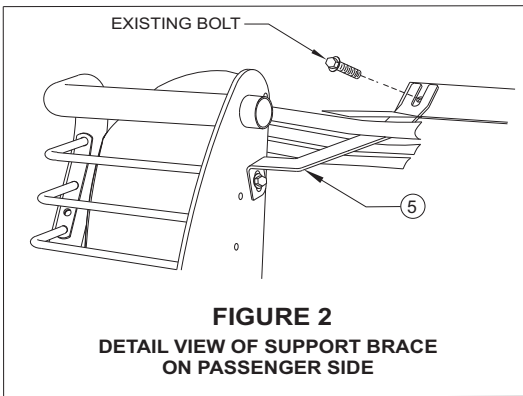
- STEP 1. Remove the contents from box and check for damage. Verify all parts are present. Read instructions completely before beginning.
- STEP 2. Attach light guard assemblies as shown. **SEE FIGURE 1.**
- STEP 3. Open hood and **support without using the hood support rod**. Remove upper radiator shroud by removing 12 plastic push type retainers. Save these retainers for reinstallation. Attach support brace as shown **SEE FIGURES 2 AND 3.** Leave loose.
- STEP 4. From underneath vehicle, remove the 4 lower nuts holding the bumper frame to the main frame and the 2 body mount bolts, then attach top brackets as shown. **SEE FIGURE 3 .** Torque nuts and bolts to 65 FT.LBS.
- STEP 5. Attach bottom brackets using 1/2" fasteners as shown. **SEE FIGURE 3 .** Leave loose.
- STEP 6. Place cardboard in front of vehicle. Align rearmost slot on uprights with rearmost slot in bottom brackets and secure with 1/2" fasteners. Rotate Sportsman up towards vehicle and attach as shown to both lower brackets and support braces. Center and level Sportsman. Torque 3/8" and 10mm support brace fasteners to 35 FT.LBS and 1/2" fasteners to 65 FT.LBS.
- STEP 7. Replace upper radiator shroud and close hood.



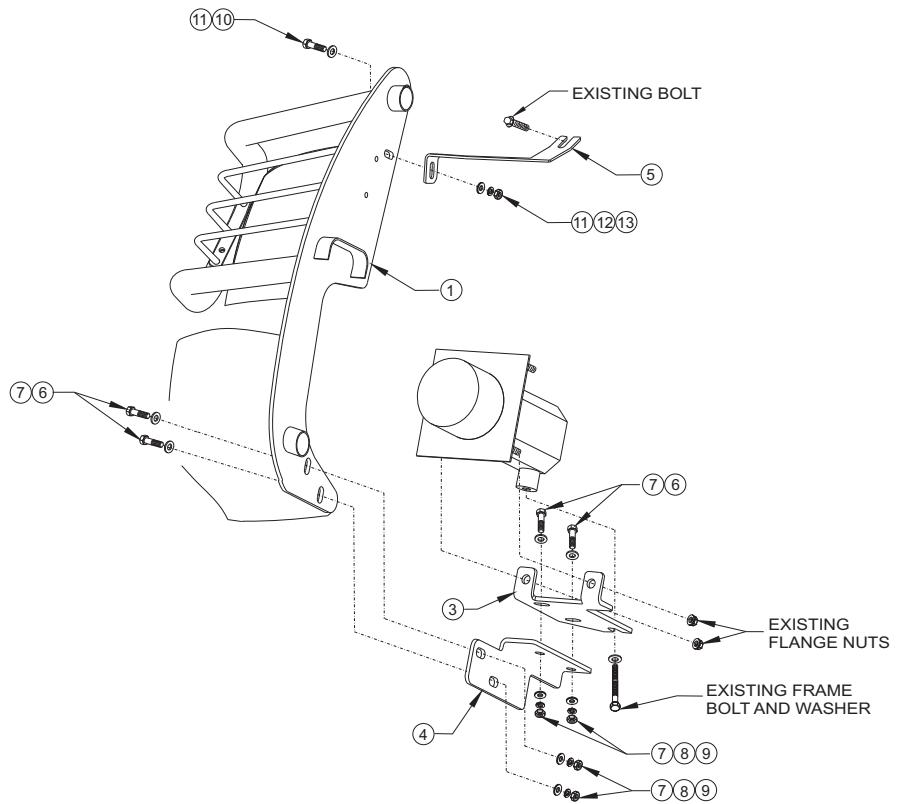
ITEM	QTY.	DESCRIPTION
1	8	1/4-20 X 1.00" BUTTON HEAD BOLT
2	8	1/4" FLAT WASHER
3	4	1/4" INTERNAL TOOTH LOCK WASHER
4	4	1/4-20 NYLON NUT
5	8	RUBBER WASHER

NOTE: ALL FASTENERS MAY NOT BE USED.

**FIGURE 1**  
LIGHT GUARD INSTALLATION



**FIGURE 2**  
DETAIL VIEW OF SUPPORT BRACE  
ON PASSENGER SIDE



**FIGURE 3**  
INSTALLATION VIEW OF PASSENGER SIDE,  
DRIVER SIDE IS OPPOSITE

Finish protection - Westin products have a high quality finish that must be cared for like any other exposed finish on the vehicle. Protect the finish with a non-abrasive automotive wax (pure carnauba, for example) on a regular basis. The use of cleaner wax or any compound which contains an abrasive is detrimental, as the compounds scratch the finish and open it to corrosion.



Westin Automotive Products, Inc.  
5200 N. Irwindale Ave. Suite 220  
Irwindale, Ca. 91706

Thank You for choosing Westin products  
For additional installation assistance please call  
Customer service (800) 793-7846 or (507) 375-3559