



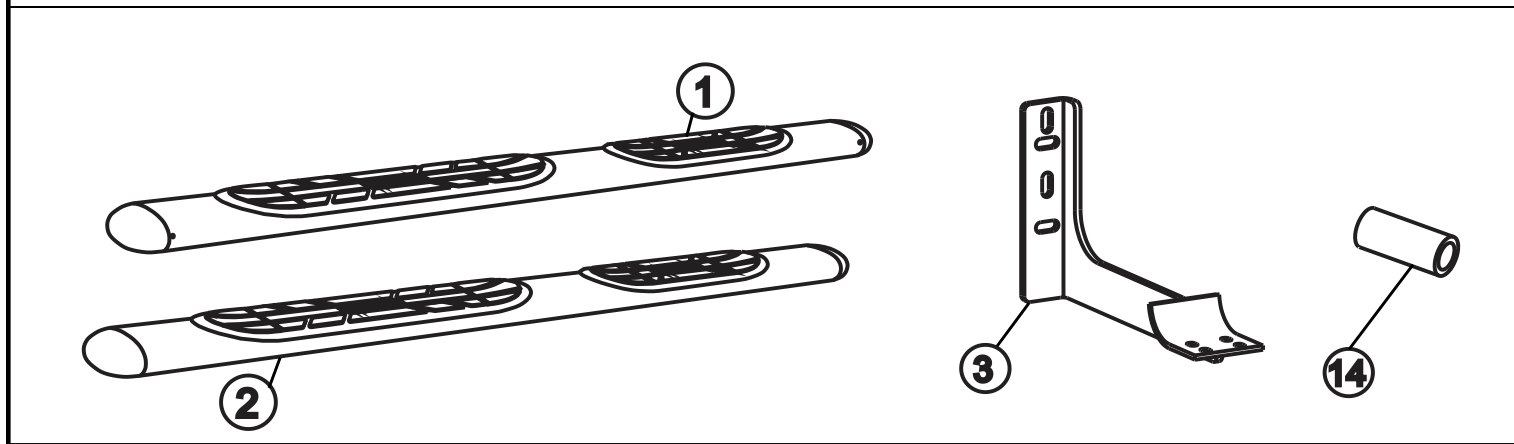
AUTOMOTIVE PRODUCTS,

# INSTALLATION INSTRUCTIONS

**4" OVAL TUBE MOUNT KIT**  
**APPLICATION:**  
**2006-2010 Hummer H3**  
**PART NUMBER:**  
**22-1635**

ITEM	QUANTITY	DESCRIPTION	TOOLS NEEDED
1,2	2	STEP BAR , PASSENGER (1) AND DRIVER (2) (SOLD SEPERATELY)	10MM SOCKET
3	4	MOUNT BRACEKT	17MM SOCKET
4	1	M6 HEX HEAD BOLT	7/16" SOCKET
5	1	M6 FLAT WASHER	RATCHET
6	1	M6 LOCK WASHER	TORQUE WRENCH
7	8	M10 HEX HEAD BOLT	
8	8	M10 FLAT WASHER	
9	8	M10 LOCK WASHER	
10	4	MOUNT ADAPTER PLATE (INLCUED WITH STEP BARS)	
11	16	M6 LOCK NUT (INCLUDED WITH STEP BARS)	
12	16	M6 FLAT WASHER (INCLUDED WITH STEP BARS)	
13	4	SPACER WASHER	
14	1	SPACER TUBE	

**ANTI-SEIZE LUBRICANT MUST BE USED ON ALL STAINLESS STEEL FASTENERS TO PREVENT THREAD DAMAGE AND GALLING**



## PROCEDURE

1. Remove contents from box, verify if all parts listed are present and free from damage.  
Carefully read and understand all instructions before attempting installation.  
**Failure to identify damage before installation could lead to a rejection of any claim.**



Westin Automotive Products, Inc.  
320 W. Covina Blvd  
San Dimas, Ca. 91773

Thank you for choosing Westin products  
for additional installation assistance please call  
Customer Service (800) 793-7846

2. Locate the emergency brake cable on drivers side and install spacer as shown. Remove factory bolt and replace with M6 fasteners and spacer tube. See FIGURES 1 & 2.
3. Locate driver side mounting locations on vehicle. Attach mount brackets as shown. Slide near driver mount under brake line. See FIGURE 2. Repeat for passenger side. It may be necessary to clean out mounting holes on frame with a 10mm tap.
4. Slide mount adapter plates on step bar as shown. Place step bar on saddle with long pad forward and end cap screw facing inward. Assemble with M6 hardware. See FIGURES 3, 4, & 5. Reference installations sheet, 75-0820, Oval Tube Mount Adapter Kit.
5. Make sure step bar and brackets are properly aligned with vehicle and tighten fasteners. Recommended torque values are 31 FT.LBS. for M10 fasteners and 6 FT.LBS. for M6 fasteners.
6. Repeat installation for opposite side.

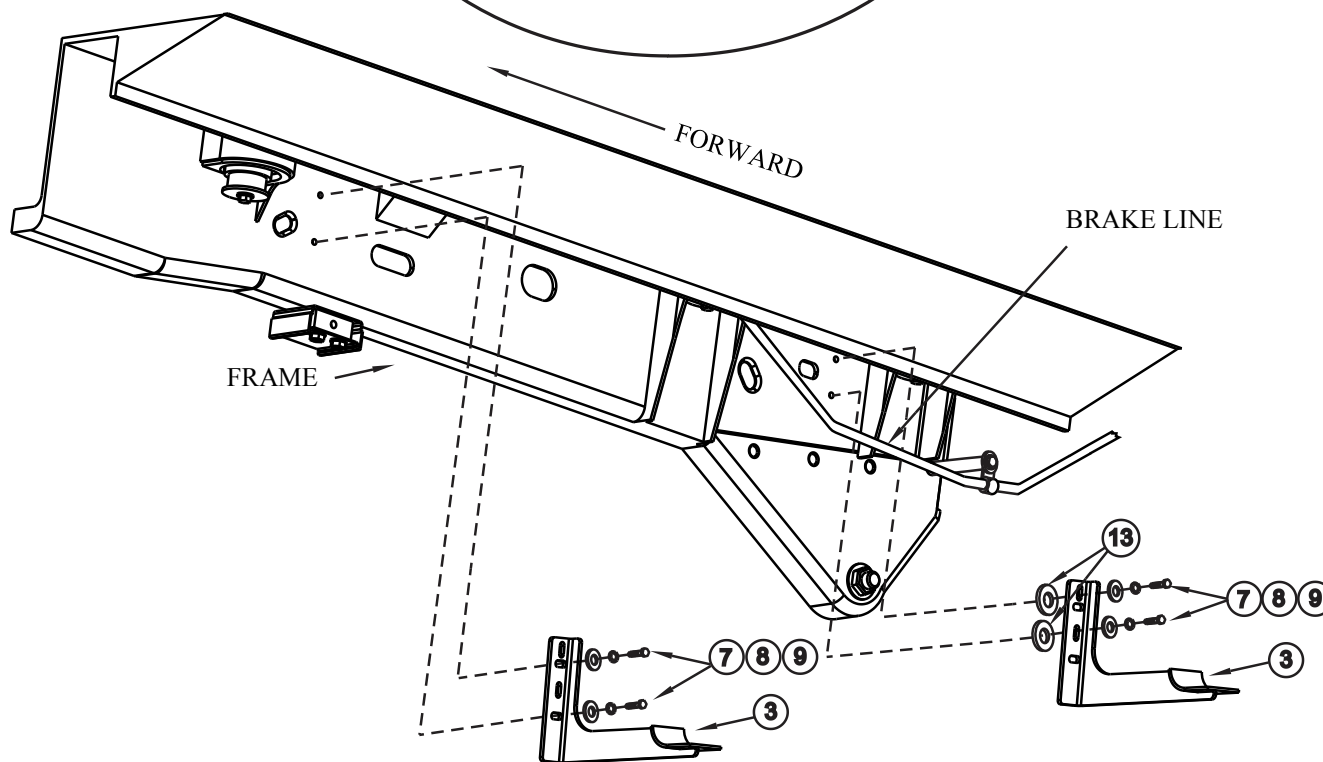
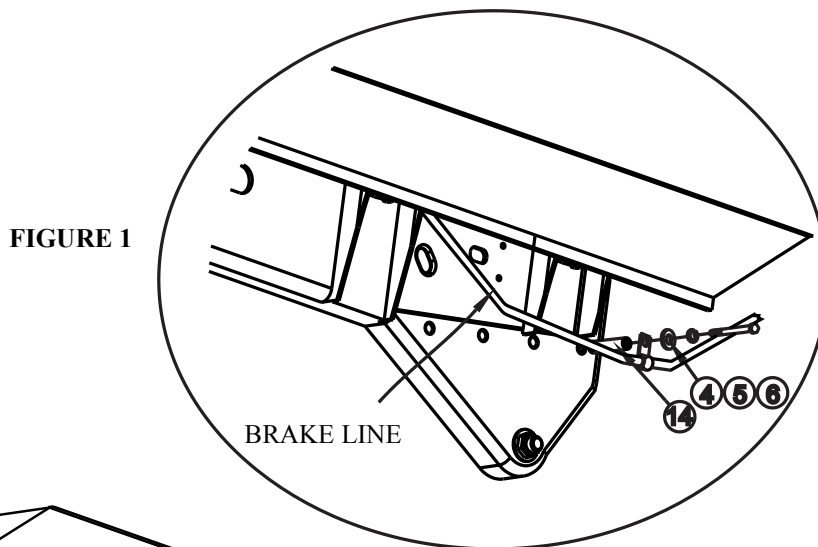
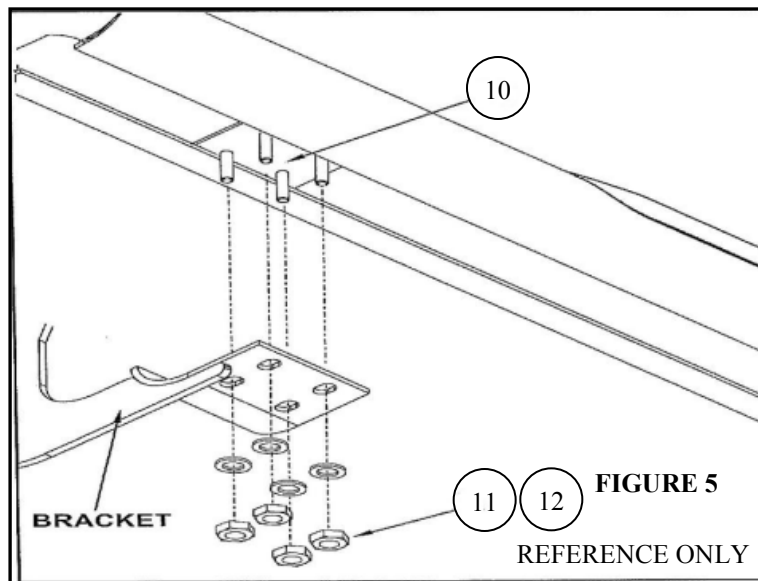
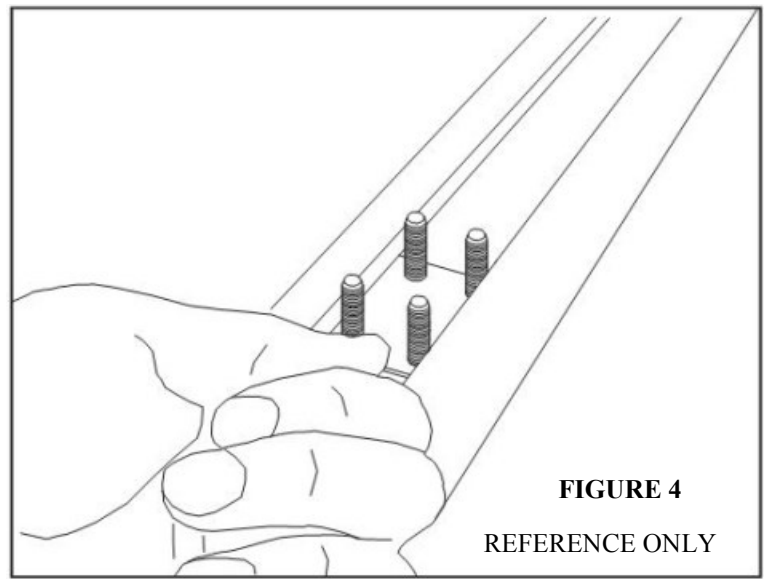
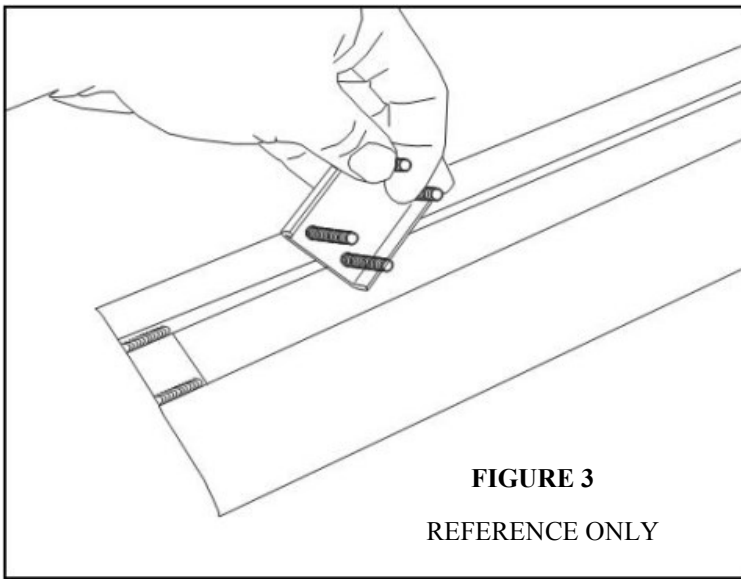


FIGURE 2 INSTALLATION VIEW OF DRIVER SIDE SHOWN  
PASSENGER SIDE OPPOSITE



Westin Automotive Products, Inc.  
320 W. Covina Blvd  
San Dimas, Ca. 91773

Thank you for choosing Westin products  
for additional installation assistance please call  
Customer Service (800) 793-7846



**CARE INSTRUCTIONS**

- REGULAR WAXING IS RECOMMENDED. DO NOT USE ANY TYPE OF POLISH OR WAX THAT MAY CONTAIN ABRASIVES.
- STAINLESS STEEL PRODUCTS CAN BE CLEANED WITH MILD SOAP AND WATER. STAINLESS STEEL POLISH SHOULD BE USED TO POLISH SMALL SCRATCHES.
- GLOSS BLACK FINISHES SHOULD BE CLEANED WITH MILD SOAP AND WATER.



Westin Automotive Products, Inc.  
320 W. Covina Blvd  
San Dimas, Ca. 91773

Thank you for choosing Westin products  
for additional installation assistance please call  
Customer Service (800) 793-7846  
[www.westinautomotive.com](http://www.westinautomotive.com)