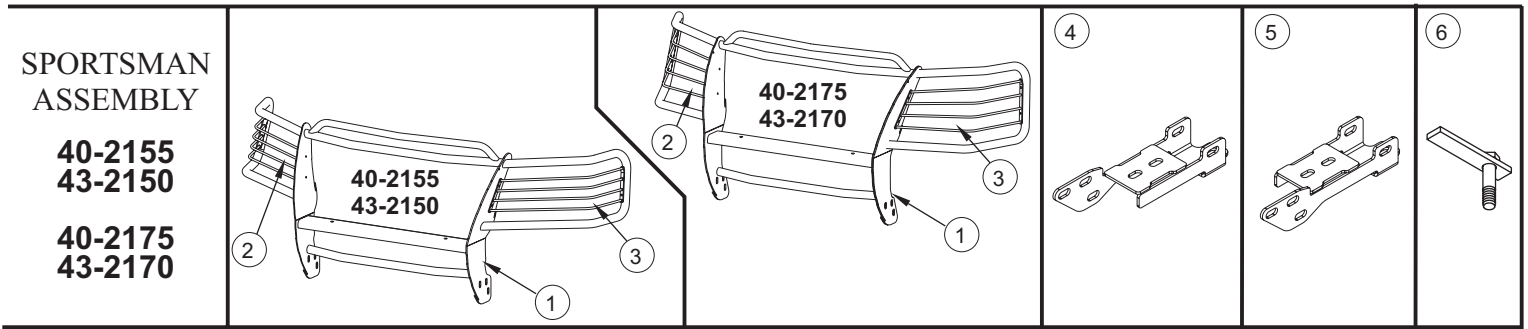




AUTOMOTIVE PRODUCTS, INC.

# INSTALLATION INSTRUCTIONS

APPLICATION: 2007-08 CHEVY AVALANCHE/SUBURBAN 2500  
2007-08 GMC YUKON XL 2500



## PARTS KIT CONTENTS

ITEM	QTY	DESCRIPTION	TOOLS REQUIRED
1	1	SPORTSMAN ASSEMBLY	3/4" SOCKET
2,3	2	LIGHT GUARD ASSEMBLY, PASSENGER(2) AND DRIVER (3)	3/4" WRENCH
4,5	2	BOTTOM BRACKET, PASSENGER(4) AND DRIVER (5)	7/16" WRENCH
6	6	BOLT PLATE ASSEMBLY	18MM SOCKET
7	6	1/2-13 X 1.25" HEX HEAD BOLT	18MM WRENCH
8	12	1/2" FLAT WASHER	5/32" HEX WRENCH
9	6	1/2" LOCK WASHER	FLAT TIP SCREWDRIVER
10	6	1/2-13 HEX NUT	RATCHET
11	6	1/2" FLAT WASHER, YELLOW ZINC	SOCKET EXTENSION
12	6	1/2" LOCK WASHER, YELLOW ZINC	TORQUE WRENCH
13	6	1/2-13 HEX NUT, YELLOW ZINC	UTILITY KNIFE
14	2	15" ANTI-REFLECTIVE TAPE (CHROME ASSEMBLIES ONLY)	

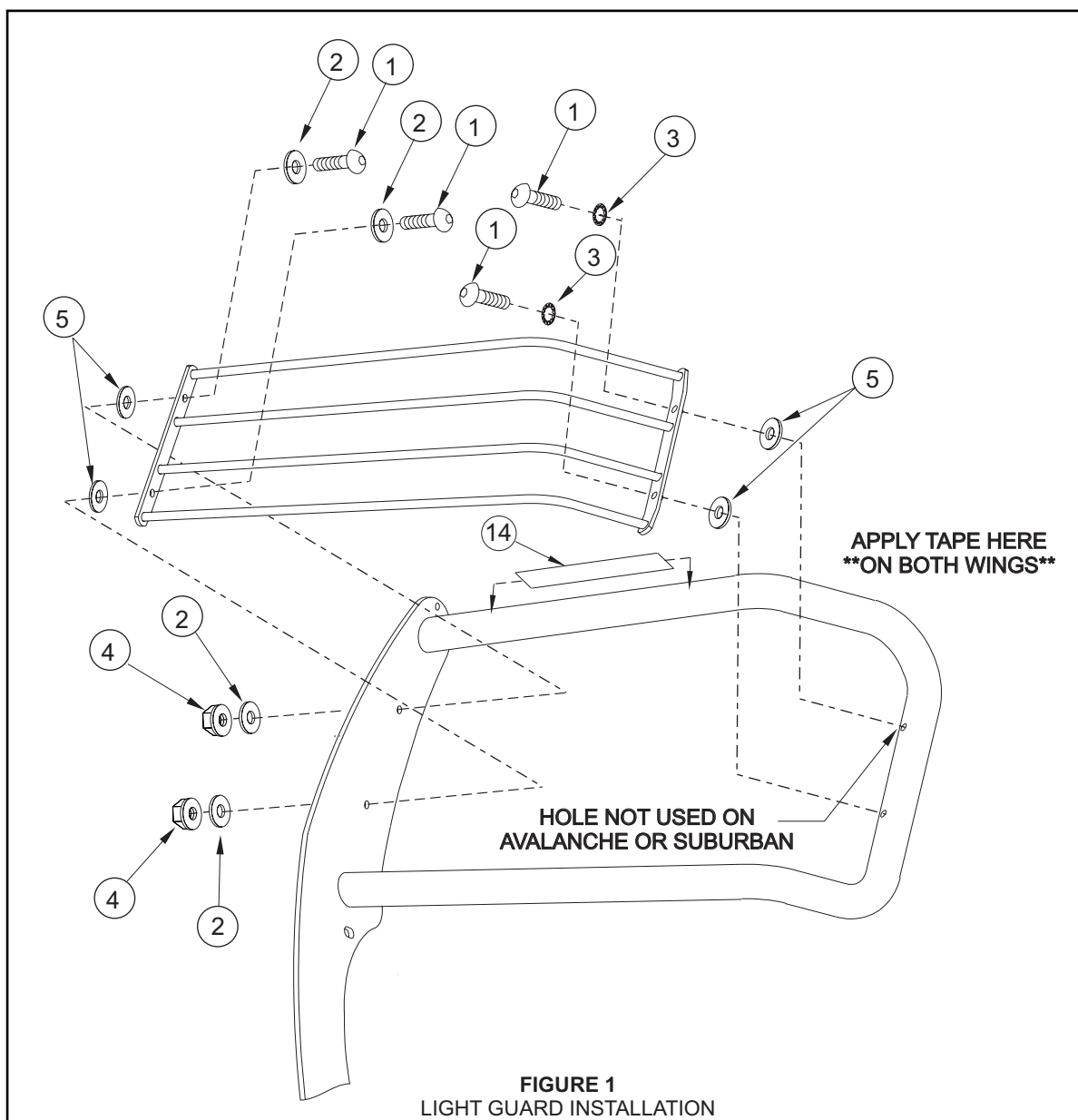
**NOTE:** May not use all fasteners supplied in the bolt kit.

- STEP 1. Remove the contents from box and check for damage. Verify all parts are present. Read instructions completely before beginning.
- STEP 2. Attach light guard assemblies as shown. **SEE FIGURE 1.**
- STEP 3. Remove tow hooks by removing the front bolt and rear bolt that threads into the bottom of the tow hooks. Tow hooks will not be reinstalled.
- STEP 4. Remove the tow hook pocket cover. Avalanche's and Suburban's have two pockets that can be removed by releasing four clips per cover. **SEE FIGURE 2.** Yukon's have a one piece cover that can be removed by pulling out the two push pins on either side and releasing several clips in the center section. Once all of these clips are released, start pulling from the center and the edges will release themselves. **SEE FIGURE 3.**
- STEP 5. Determine passenger and driver side brackets. Slide bracket in through the tow hook pocket. Align slots on bracket with holes on frame. Slide the two bolt plates inside the frame and out through aligned holes on both sides of the frame. Slide the third bolt plate through the end of the frame and allow bolt plate to drop through the bottom rear hole location. Secure with 1/2" yellow zinc fasteners. Leave loose. **SEE FIGURE 2 OR 3.**
- STEP 6. If pocket covers are to be reinstalled, minor trimming around mount brackets is required.
- STEP 7. Attach Sportsman to brackets using 1/2" fasteners. **SEE FIGURE 2 OR 3.** Center and level Sportsman on vehicle and tighten all fasteners. Recommended torque values are 64 FT.LBS. for 1/2" yellow zinc fasteners and 43 FT.LBS. for 1/2" stainless steel fasteners.
- STEP 8. For chrome assemblies. If light glare is being experienced off the wings of the Sportsman, anti-reflective tape has

been supplied to reduce glare. With headlights on, note where the reflection is concentrated on the wing. Clean the wing well with a non-abrasive cleaner (rubbing alcohol works the best.) Trim the anti-reflective tape to the appropriate size where the glare was located and apply tape. **SEE FIGURE 1.**

ITEM	QTY.	DESCRIPTION
1	8	1/4-20 X 1.00" BUTTON HEAD BOLT
2	8	1/4" FLAT WASHER
3	4	1/4" INTERNAL TOOTH LOCK WASHER
4	4	1/4-20 NYLON NUT
5	8	RUBBER WASHER

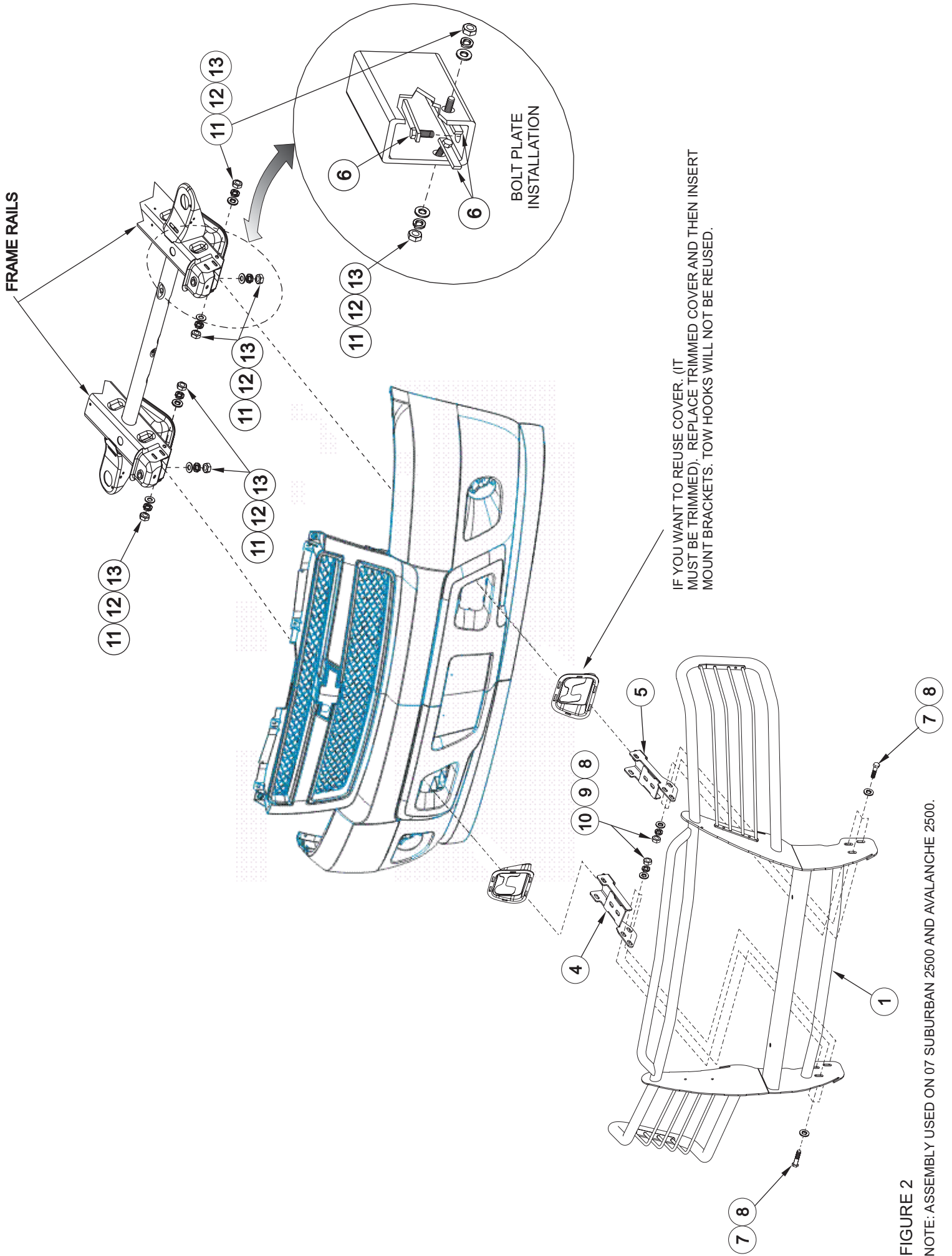
NOTE: ALL FASTENERS MAY NOT BE USED.



Westin Automotive Products, Inc.  
5200 N. Irwindale Ave. Suite 220  
Irwindale, Ca. 91706

AUTOMOTIVE PRODUCTS, INC.

Thank You for choosing Westin products  
For additional installation assistance please call  
Customer service (800) 793-7846 or (507) 375-3559



**FIGURE 2**  
 NOTE: ASSEMBLY USED ON 07 SUBURBAN 2500 AND AVALANCHE 2500.

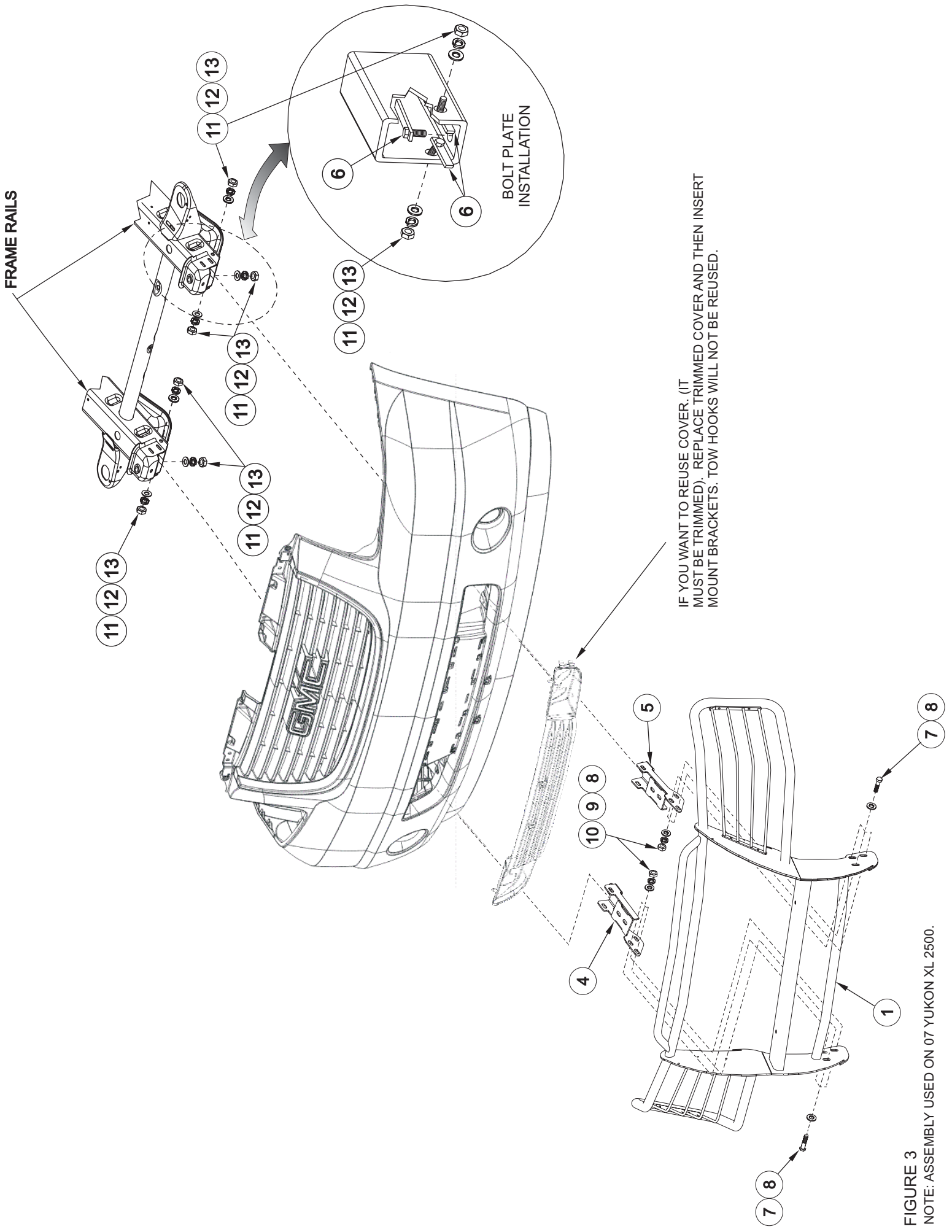


FIGURE 3  
 NOTE: ASSEMBLY USED ON 07 YUKON XL 2500.