



INSTRUCTIONS—INSTRUCCIONES—CONSIGNES

APPLICATION: 2008-UP TOYOTA HIGHLANDER
APP PART # 33-1020, 33-1025
BULL BAR

AUTOMOTIVE PRODUCTS, INC.

ITEM	QUANTITY	DESCRIPTION	TOOLS NEEDED
1	1	BULL BAR	10MM SOCKET
2,3	2	MOUNTING BRACKETS (2) DRIVERS SIDE, (3) PASSENGER SIDE USED FOR 2008-09 MODEL YEARS ONLY	14MM SOCKET
4,5	2	SUPPORT STRAPS (4) DRIVERS SIDE, (5) PASSENGER SIDE USED FOR 2008-09 MODEL YEARS ONLY	3/4 WRENCH
6,7	2	MOUNTING BRACKETS (6) DRIVERS SIDE, (7) PASSENGER SIDE USED FOR 2010-UP MODEL YEARS ONLY	RATCHET
8,9	2	SUPPORT STRAPS (8) DRIVERS SIDE, (9) PASSENGER SIDE USED FOR 2010-UP MODEL YEARS ONLY	TORQUE WRENCH
10	2	M10 HEX HEAD BOLTS	
11	2	M10 LOCK WASHERS	
12	2	3/8 FLAT WASHER	
13	2	M6 FLANGE BOLTS	
14	2	1/2 HEX HEAD BOLTS	
15	2	1/2 FLAT WASHERS	
16	2	1/2 LOCK WASHERS	
17	2	SPACERS	

1. Remove contents from box, verify if all parts listed are present and free from damage. Carefully read and understand all instructions before attempting installation.
2. Remove factory splash shield by using a 10MM socket to remove six bolts and four screws and remove two push type fasteners. NOTE: Splash shield will need to be bowed down in the middle in order to release it FIG 1.
3. Remove the factory hardware shown in FIG 2 . Once the hardware has been removed take the mounting bracket and place (1) spacer in between the bracket and the frame. Attach the drivers side mounting bracket using (1) M10 hex head bolt, (1) M10 lock washer, and (1) 3/8 flat washer FIG 3. Do not fully tighten at this time.
4. Locate the drivers side support strap and attach it to the rear splash shield mounting hole using (1) M6 flange bolt. Do not fully tighten at this time FIG 4.
5. Repeat step 3-4 for passenger side.
6. With assistance take the bull bar and attach it to the mounting brackets and support strap using (2) 1/2 hex head bolts, (2) 1/2 lock washers, and (2) 1/2 flat washers. Do not fully tighten at this time.
7. Take the splash shield and hold it up to the installed brackets trim the splash shield to fit around the brackets.
8. Align and adjust bull bar as needed , then fully tighten all hardware at this time. Torque all 1/2 fasteners to 55 ft lbs, all M10 to 30-35 ft lbs, and M6 to 10-15 ft lbs.
9. Re install splash shield at this time.

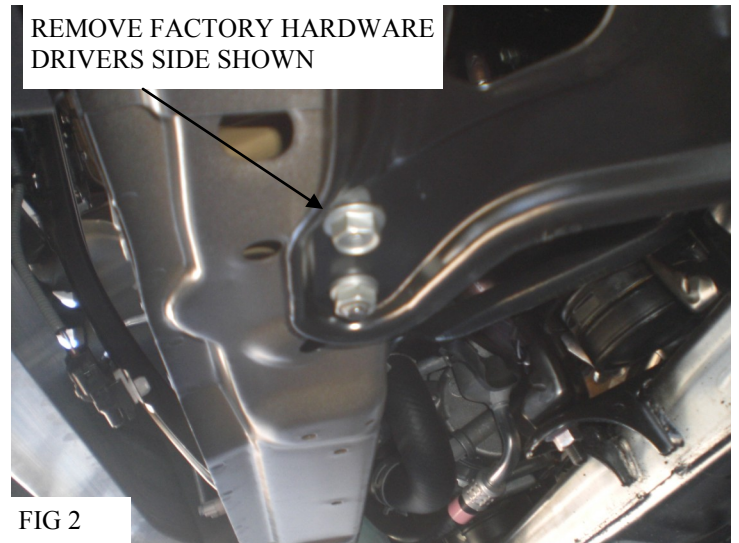
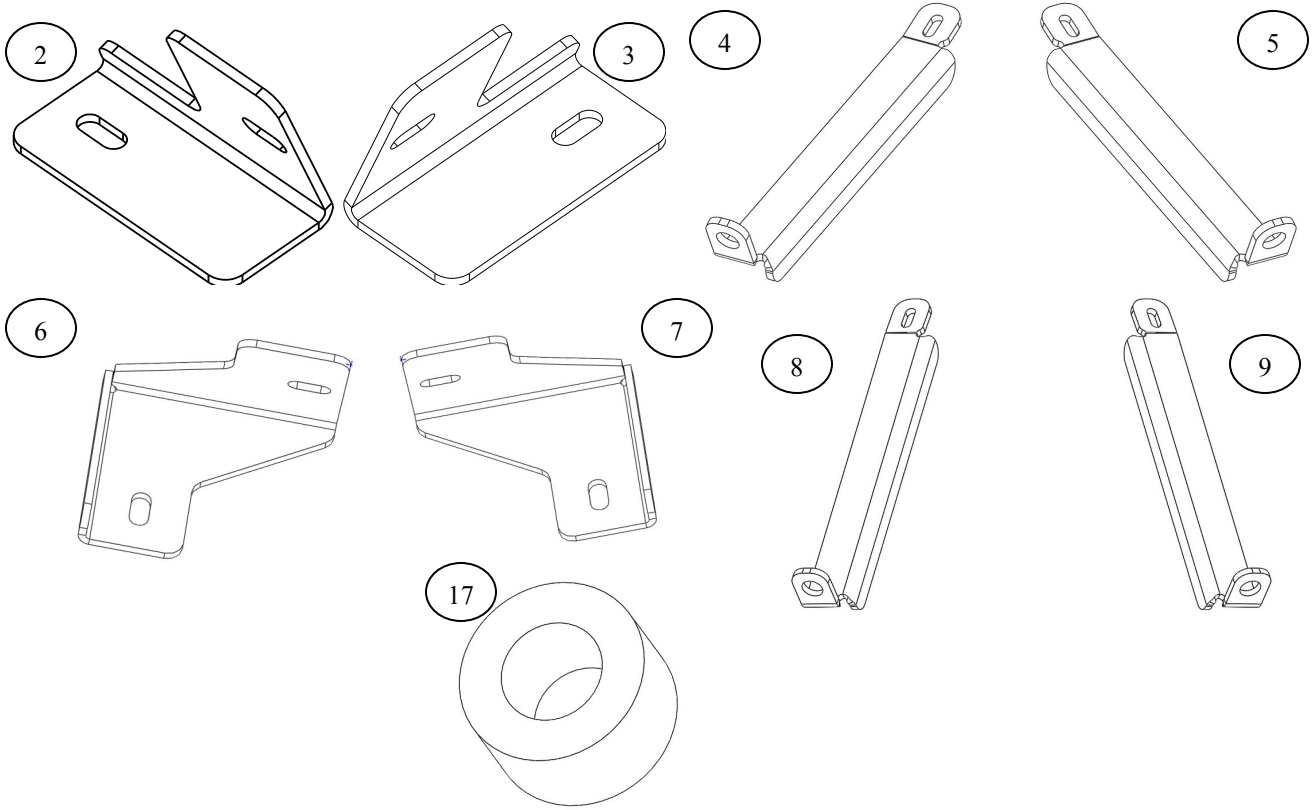
CARE INSTRUCTIONS

- REGULAR WAXING IS RECOMMENDED. DO NOT USE ANY TYPE OF POLISH OR WAX THAT MAY CONTAIN ABRASIVES
- STAINLESS STEEL PRODUCTS CAN BE CLEANED WITH MILD SOAP AND WATER. STAINLESS STEEL POLISH SHOULD BE USED TO POLISH SMALL SCRATCHES.
- GLOSS BLACK FINISHES SHOULD BE CLEANED WITH MILD SOAP AND WATER



Westin Automotive Products, Inc.
5200 N. Irwindale Ave. Suite 220
Irwindale, Ca. 91706

Thank You for choosing Westin products
For Additional installation assistance please call
Customer service (800) 793-7846
www.westinautomotive.com



Westing Automotive Products, Inc.
5200 N. Irwindale Ave. Suite 220
Irwindale, Ca. 91706

Thank You for choosing Westin products
For Additional installation assistance please call
Customer service (800) 793-7846
www.westinautomotive.com

ATTACH MOUNTING BRACKET USING M10 AND 3/8 HARDWARE, ALIGN SPACER UNDERNEATH BRACKET DRIVERS SIDE SHOWN

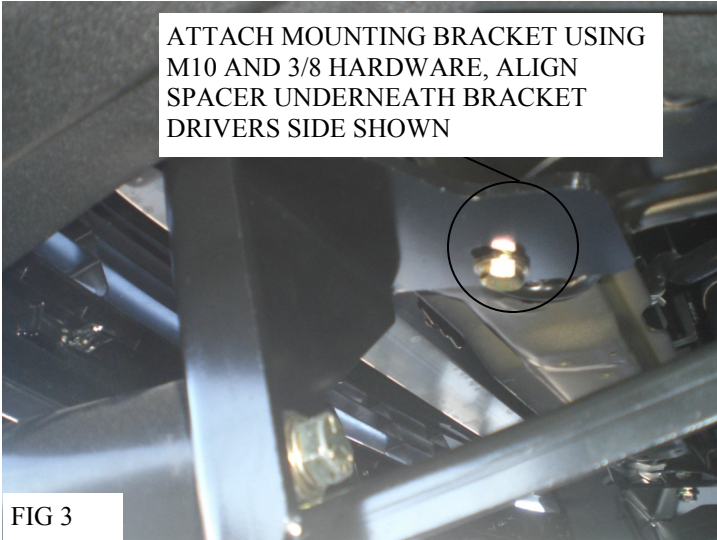


FIG 3



FIG 4

ATTACH BULL BAR TO THE MOUNTING BRACKET AND SUPPORT STRAP USING 1/2 HARDWARE

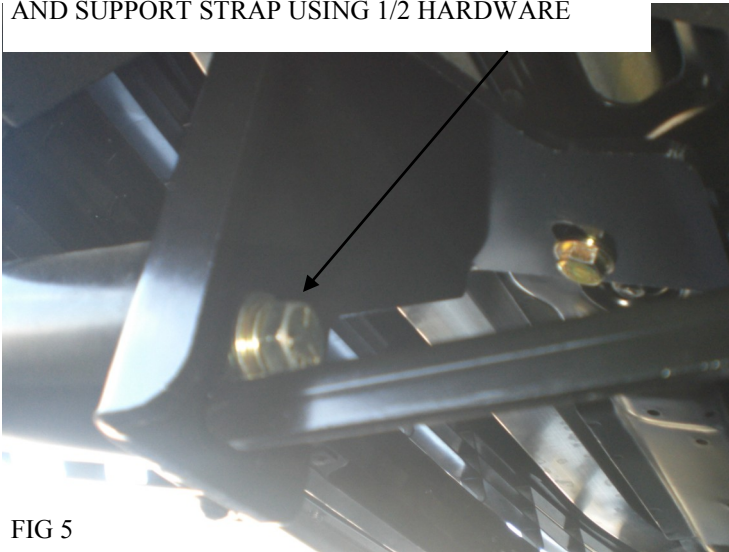


FIG 5

TRIM SPLASH GUARD TO FIT BRACKETS



FIG 6

INSTALLATION COMPLETE



Westing Automotive Products, Inc.
5200 N. Irwindale Ave. Suite 220
Irwindale, Ca. 91706

12/15/2011

P.N.: 75-0867-RevB

ECO #: W11-0108

PG-3

Thank You for choosing Westin products
For Additional installation assistance please call
Customer service (800) 793-7846
www.westinautomotive.com