



AUTOMOTIVE PRODUCTS,

# INSTALLATION INSTRUCTIONS

## LED LIGHT

### APPLICATION:

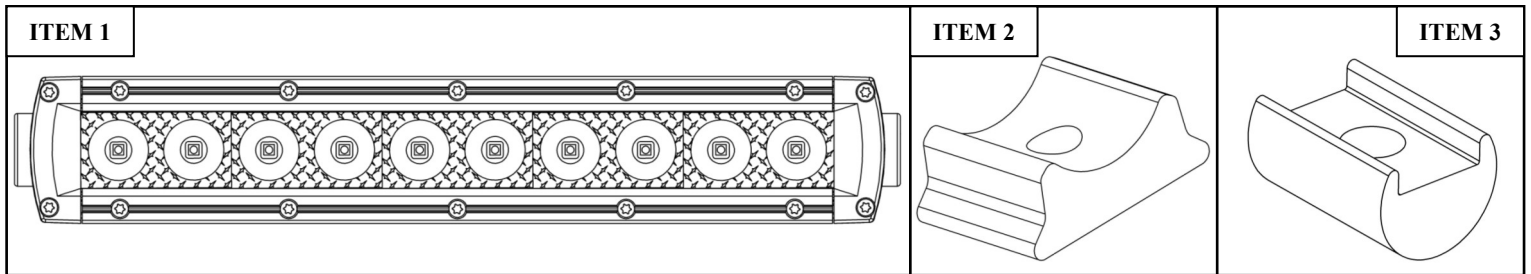
09-12270, 09-12211 & 09-12231 Series Lights

### PART NUMBER:

09-2010

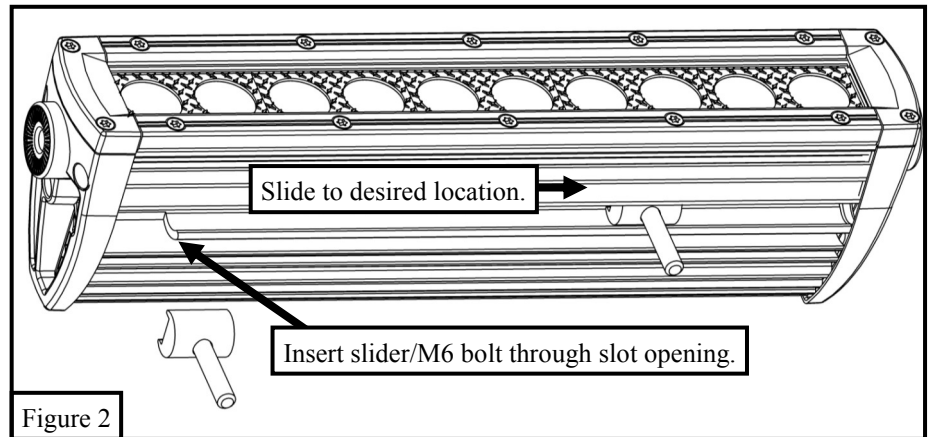
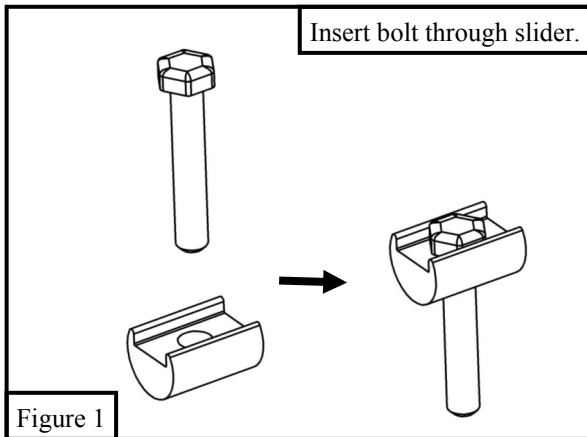
ITEM	QUANTITY	DESCRIPTION	TOOLS NEEDED
1	1	LED LIGHT	10MM SOCKET
2	2	BRACKET	1/4" DRILL BIT
3	2	SLIDER	DRILL
4	2	M6 HEX HEAD BOLT	RATCHET
5	2	M6 FLAT WASHER	TORQUE WRENCH
6	2	M6 LOCK WASHER	
7	2	M6 HEX NUT	

**ANTI-SEIZE LUBRICANT MUST BE USED ON ALL STAINLESS STEEL FASTENERS TO PREVENT THREAD DAMAGE AND GALLING**



### PROCEDURE

1. Remove contents from box, verify if all parts listed are present and free from damage. Carefully read and understand all instructions before attempting installation. **Failure to identify damage before installation could lead to a rejection of any claim.**
2. Insert the M6 hex head bolts through the sliders as shown in **Figure 1**.
3. Locate the LED light and insert the slider with the M6 hex head bolt through an opening underneath the light. Slide along to desired location. Repeat for the other slider and M6 hex head bolt. Refer to **Figure 2**.



Westin Automotive Products, Inc.  
320 W. Covina Blvd  
San Dimas, Ca. 91773

Thank you for choosing Westin products  
for additional installation assistance please call  
Customer Service (800) 793-7846

4. Loosely secure the brackets onto the M6 hex head bolts using the provided M6 hardware. See **Figure 3**.

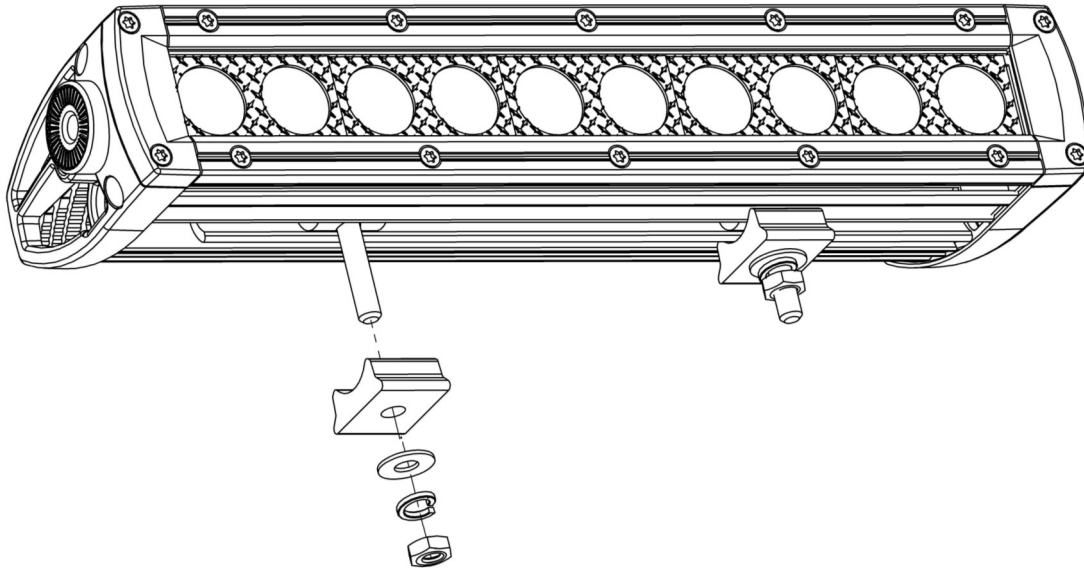


Figure 3

5. Find an appropriate mounting surface and apply painters tape to help prevent painted surfaces from scratching. Carefully place the LED light with the bracket and M6 hex head bolt on the surface. Using marker draw location where to drill on the surface.
- NOTE:** Before drilling through surface, such as a vehicle, make sure that there are no electrical components and wires on the other side of the drilling surface.
6. Using a drill and a 1/4 drill bit, drill through the previously marked holes.
7. Remove the painters tape and align the M6 hex head bolts to the drill holes.
8. Secure to surface using the provided M6 hardware. Torque all M6 hardware to 5-7 ft-lbs. Refer to **Figure 4**.

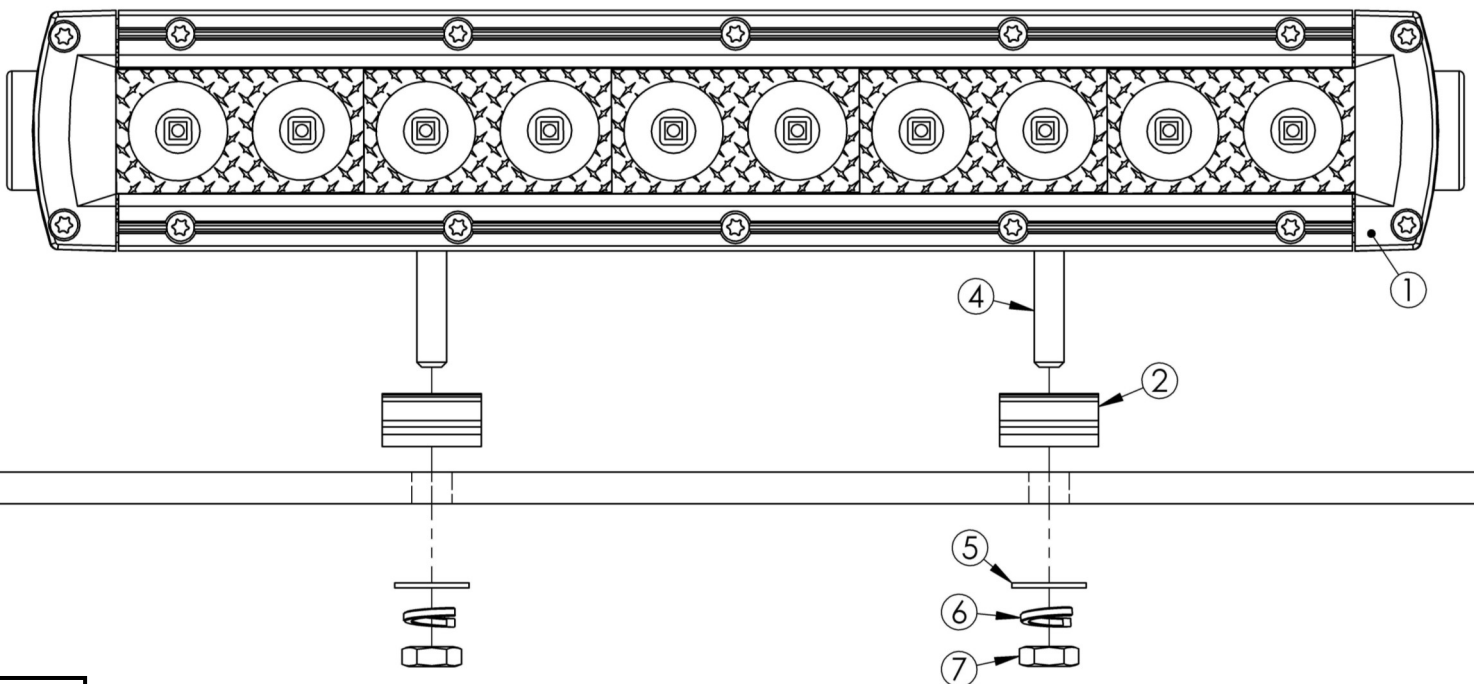


Figure 4



Westin Automotive Products, Inc.  
320 W. Covina Blvd  
San Dimas, Ca. 91773

Thank you for choosing Westin products  
for additional installation assistance please call  
Customer Service (800) 793-7846

# Westin

SIGNATURE OF QUALITY

AUTOMOTIVE PRODUCTS, INC.



## WARNING



Failure to follow these instructions could lead to death, personal injury, and / or property damage.

### FASTENERS:

All Westin supplied fasteners must be utilized and installed in accordance with the installation instructions and apply torque to the specifications as defined. **DOUBLE CHECK ALL FASTENERS BEFORE INITIAL USE, AND PERIODICALLY IN THE FUTURE TO ENSURE PROPER FUNCTION AND SAFETY.**

### DRILLING:

Most Westin products do not require drilling for installation. If drilling is defined as required, use caution when drilling a vehicle. **FAILURE TO REVIEW AN AREA TO BE DRILLED MAY RESULT IN PERSONAL INJURY AND/OR INJURY TO OTHERS AS WELL AS VEHICLE DAMAGE.**

### EYE PROTECTION:

**ALWAYS WEAR SAFETY GLASSES OR GOGGLES DURING THE INSTALLATION PROCESS TO AVOID PERSONAL INJURY.**

### MAXIMUM TOWING/CARRYING CAPACITY:

The Westin Receiver Hitches will have a visible tow rating label affixed directly on the product. User should never exceed the vehicle manufacturers maximum tow and weight rating regardless of the capacity of the hitch. **FAILURE TO FOLLOW THESE GUIDELINES WILL VOID THE WESTIN WARRANTY AND MAY RESULT IN PERSONAL INJURY AND/OR INJURY TO OTHERS AS WELL AS VEHICLE DAMAGE.**

**Westin**  
SIGNATURE OF QUALITY

Westin Automotive Products, Inc.  
320 W. Covina Blvd  
San Dimas, Ca. 91773