



INSTRUCTIONS—INSTRUCCIONES—CONSIGNES

APPLICATION: TOYOTA TUNDRA 07-11
Part # : 37-02235, 37-02230

SIGNATURE OF QUALITY

AUTOMOTIVE PRODUCTS, INC.

ITEM	QUANTITY	DESCRIPTION	TOOLS NEEDED
1	1	LIGHT BAR	14MM WRENCH
2, 3	2	MOUNTING BRACKET, (2) DRIVER SIDE, (3) PASSENGER SIDE	14MM SOCKET AND RATCHET
4	2	FRAME CLAMP	
5	4	M10 X 25MM HEX HEAD BOLT	
6	4	M10 X 35MM HEX HEAD BOLT	
7	4	M10 HEX NUTS	
8	12	M10 FLAT WASHER	
9	8	M10 SPLIT LOCK WASHER	

1. Remove all contents from box. Verify that all parts listed are present and free from damage.
2. Open the engine compartment hood. One should have access to the lower radiator support area.
3. Locate the lower vehicle frame rail connecting to the front bumper mount. The mounting brackets will clamp on the rectangular frame rail.
4. Insert each frame clamp onto each vehicle frame side as shown in figure 1. Insert each driver and passenger side mounting brackets to the outsides of the frame and secure to the frame clamps with two M10 X 35mm hex bolts, two flat washers and two lock washers per side. Do not fully tighten at this time. NOTE: 2010+ Tundras require the air dam to be trimmed to allow the side mounting brackets to pass through the bumper.
5. Insert the light bar assembly through the front bumper openings to the mounting brackets. Secure with two M10 X 25mm hex bolts, four flat washers, two lock washers and two M10 hex nuts per side.
6. Tighten all M10 hardware to 15 lbs-ft.



Westin Automotive Products, Inc.
5200 N. Irwindale Ave. Ste 220
Irwindale, Ca 91706

Thank You for choosing Westin products
For additional installation assistance please call
Customer Service (800)793-7846

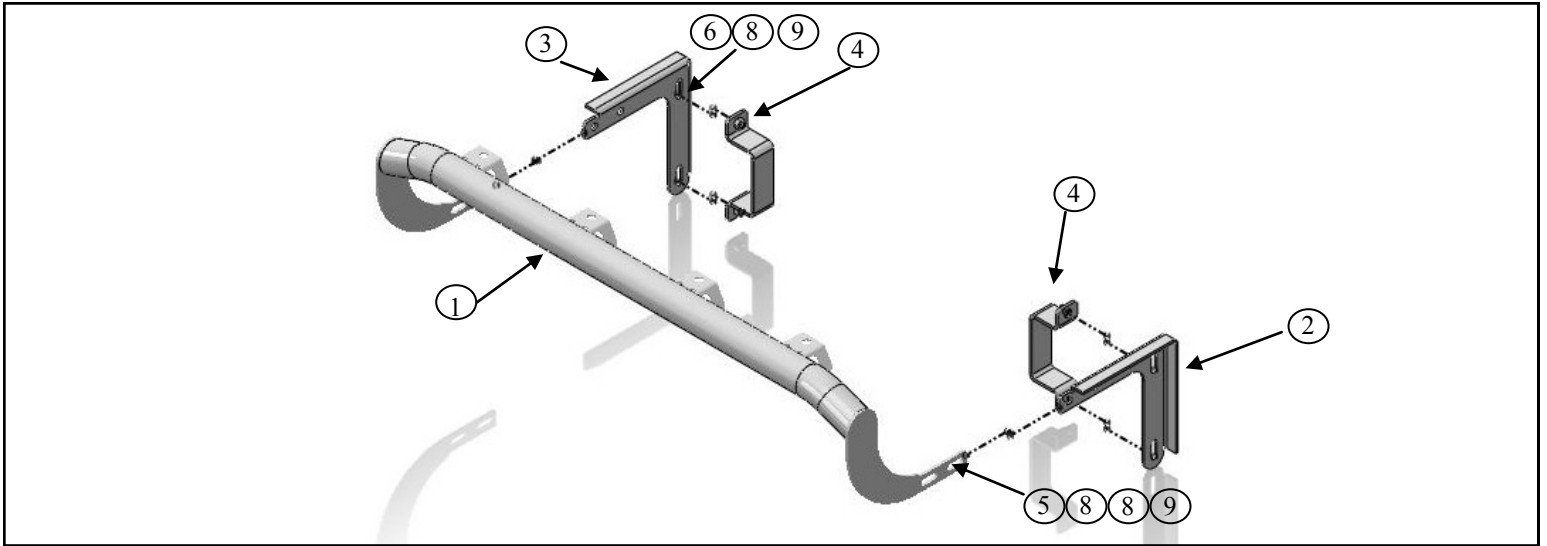
Westin

SIGNATURE OF QUALITY

AUTOMOTIVE PRODUCTS, INC.

INSTRUCTIONS—INSTRUCCIONES—CONSIGNES

APPLICATION: TOYOTA TUNDRA 07-11
Part # : 37-02235, 37-02230



Westin

SIGNATURE OF QUALITY

Westin Automotive Products, Inc.
5200 N. Irwindale Ave. Ste 220
Irwindale, Ca 91706

Thank You for choosing Westin products
For additional installation assistance please call
Customer Service (800)793-7846