



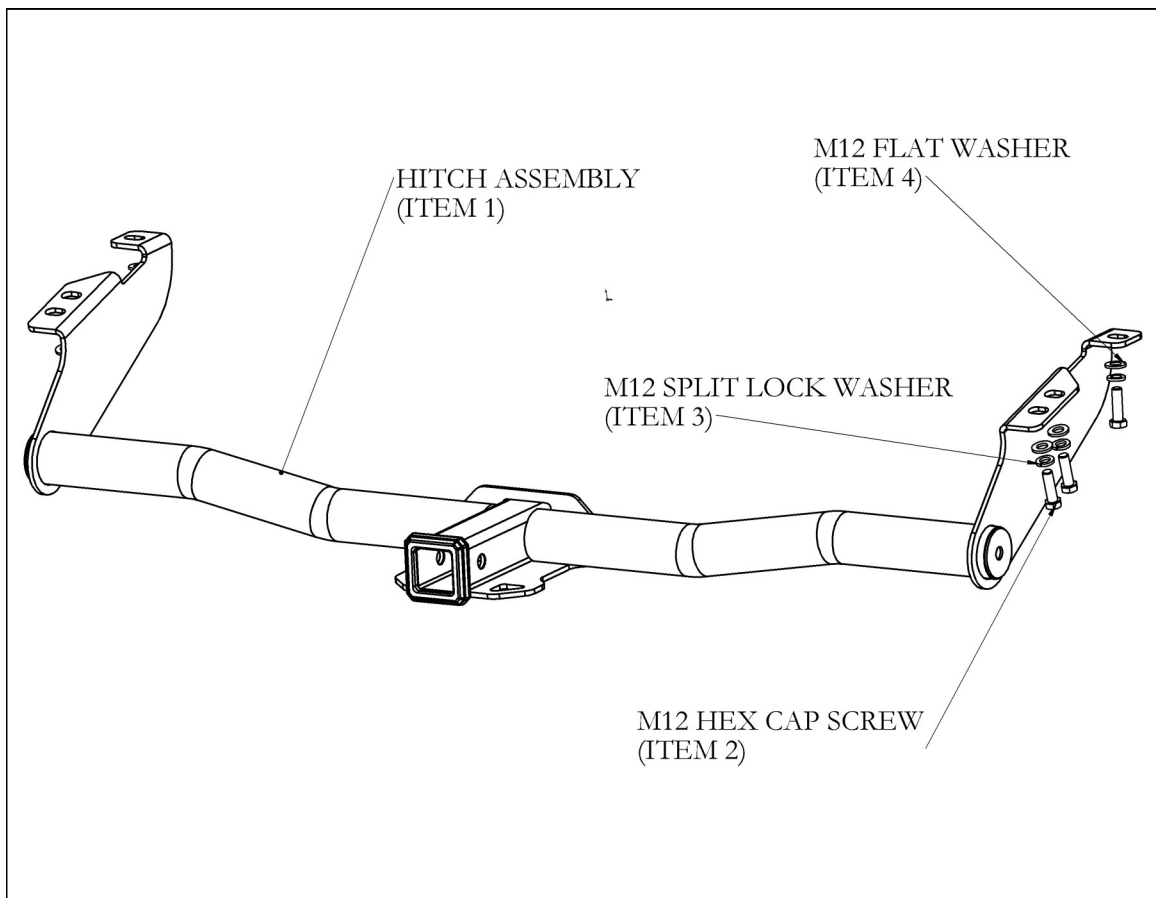
# INSTALLATION INSTRUCTIONS

## CLASS 3 RECEIVER HITCH

APPLICATION: Toyota Sienna

PART NUMBER: 65-1415

ITEM	QUANTITY	DESCRIPTION	TOOLS NEEDED
1	1	Hitch Assembly	18mm Socket
2	6	M12 Hex Cap Screw	Ratchet
3	6	M12 Split-Lock Washer	Torque Wrench
4	6	M12 Flat Washer	Body Saw   Utility Knife



**WARNING:** Never exceed the capacity ratings shown on the receiver hitch or the tow vehicle. See your vehicle's owners guide for towing guidelines.

**NOTICE:** This product complies with all safety specifications and requirements defined for V.E.S.C. regulation V-5 & SAE J684

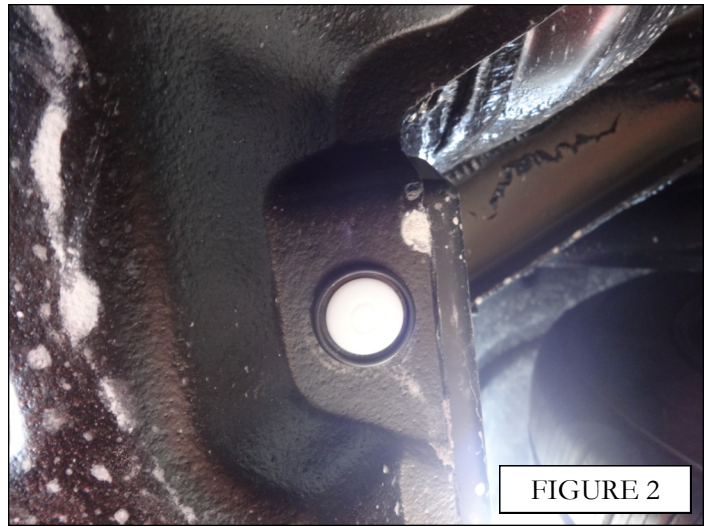
### CARE INSTRUCTIONS

- Black finishes should be cleaned with mild soap & water.



Westin Automotive Products, Inc.  
320 Covina Blvd  
San Dimas, Ca. 91773

Thank You for choosing Westin products  
For Additional installation assistance please call  
Customer service (800) 793-7846  
[www.westinautomotive.com](http://www.westinautomotive.com)

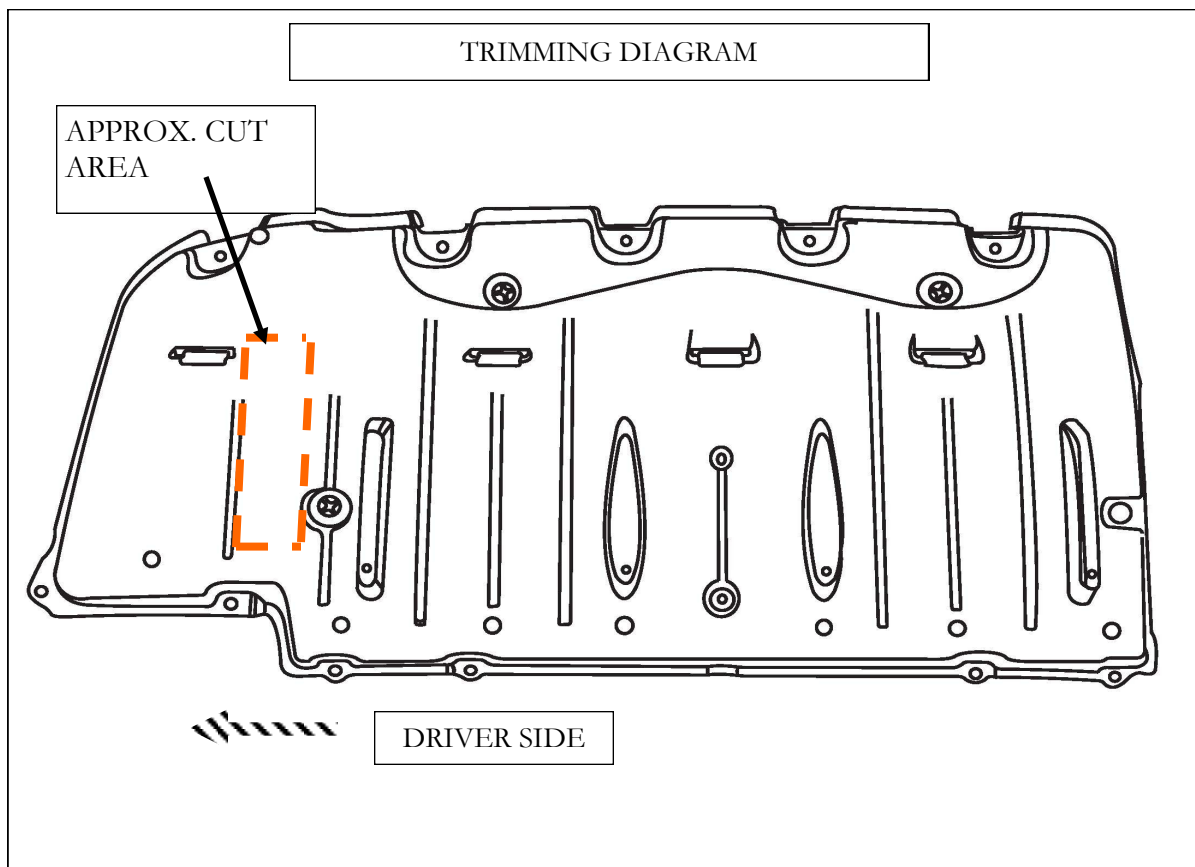


1. Remove contents from box, verify if all parts listed are present and free from damage. Carefully read and understand all instructions before attempting installation.
2. The rear underside splash shield must first be removed from the vehicle. There are various screws and retainer clips that need to be unfastened. Figure 1 & 2
3. Locate the hitch mounting surfaces on the driver and passenger side of the underside of the trunk. The threaded holes will have rubber plugs inserted in them. These need to be removed for installation. It may be necessary to clean the threads with penetrating oil and a wire brush. Figure 3

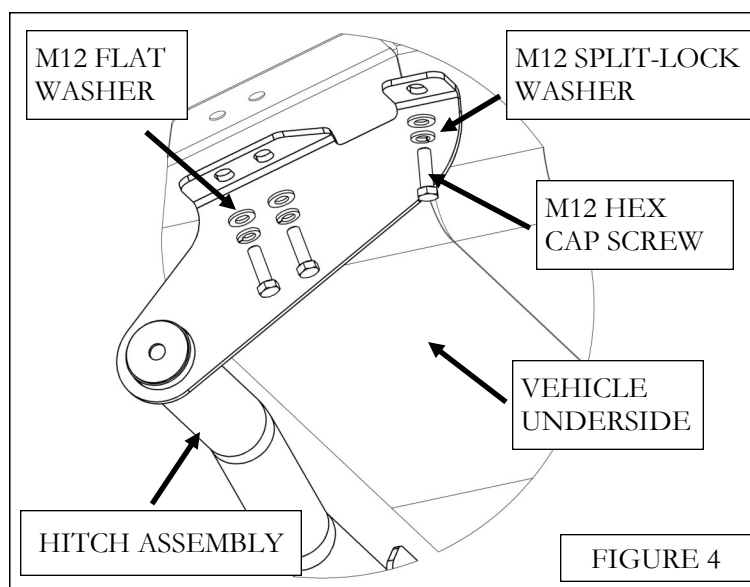


Westin Automotive Products, Inc.  
320 Covina Blvd  
San Dimas, Ca. 91773

Thank You for choosing Westin products  
For Additional installation assistance please call  
Customer service (800) 793-7846  
[www.westinautomotive.com](http://www.westinautomotive.com)



4. The rear splash shield that was previously removed needs to be trimmed in order to be re-installed. Please refer to the trimming diagram above.
5. Insert the driver side mounting flange through the slot cut into the splash shield. With assistance raise the hitch assembly to the mounting holes on the vehicle. Leave the splash shield unattached from the vehicle until the hitch assembly is fully installed. Use the supplied M12 hex cap screws, split lock washers, and flat washers to fasten the hitch assembly to the vehicle's threaded holes. Figure 4
6. Align the hitch assembly as desired and torque each fastener to 65-70 ft-lbs
7. Reinstall the splash shield to the vehicle using the previously removed factory fasteners.



Westin Automotive Products, Inc.  
 320 Covina Blvd  
 San Dimas, Ca. 91773

Thank You for choosing Westin products  
 For Additional installation assistance please call  
 Customer service (800) 793-7846  
[www.westinautomotive.com](http://www.westinautomotive.com)



AUTOMOTIVE PRODUCTS, INC.  
San Dimas, California

## WARNINGS & NOTICES FOR THE INSTALLATION OF WESTIN TOWING PRODUCTS - CLASS III RECEIVER HITCH

### NOTICE

Westin Receiver Hitches are designed to accommodate a 2"- square receiver type draw bar rated for class III/ IV towing. Closely follow all Westin Installation Instructions for the proper installation of product. Improper installation can result in death, serious injury, and/or product and vehicle damage. In the operation of these products, it is imperative to observe precautions for your personal safety and the safety of others.

### **WARNING**

Failure to follow these instructions could lead to death, personal injury, and / or property damage.

#### FASTENERS:

All Westin supplied fasteners must be utilized and installed in accordance with the installation instructions and apply torque to the specifications as defined. **DOUBLE CHECK ALL FASTENERS BEFORE INITIAL USE, AND PERIODICALLY IN THE FUTURE TO ENSURE PROPER FUNCTION AND SAFETY.**

#### DRILLING:

Most Westin products do not require drilling for installation. If drilling is defined as required, use caution when drilling a vehicle. **FAILURE TO REVIEW AN AREA TO BE DRILLED MAY RESULT IN PERSONAL INJURY AND/OR INJURY TO OTHERS AS WELL AS VEHICLE DAMAGE.**

#### EYE PROTECTION:

**ALWAYS WEAR SAFETY GLASSES OR GOGGLES DURING THE INSTALLATION PROCESS TO AVOID PERSONAL INJURY.**

#### MAXIMUM TOWING/CARRYING CAPACITY:

The Westin Receiver Hitches will have a visible tow rating label affixed directly on the product. User should never exceed the vehicle manufacturers maximum tow and weight rating regardless of the capacity of the hitch. **FAILURE TO FOLLOW THESE GUIDELINES WILL VOID THE WESTIN WARRANTY AND MAY RESULT IN PERSONAL INJURY AND/OR INJURY TO OTHERS AS WELL AS VEHICLE DAMAGE.**



Westin Automotive Products, Inc.  
320 Covina Blvd  
San Dimas, Ca. 91773

Thank You for choosing Westin products  
For Additional installation assistance please call  
Customer service (800) 793-7846  
[www.westinautomotive.com](http://www.westinautomotive.com)