



AUTOMOTIVE PRODUCTS, INC.

# INSTALLATION INSTRUCTIONS

APPLICATION: POLICE PUSH BAR ELITE XD / 2015 & UP FORD F-150  
APP PART # 36-52065

ITEM	QUANTITY	DESCRIPTION	TOOLS NEEDED
1	1	GRILLE GUARD ASSEMBLY	RATCHET
2	1	DRIVER SIDE LOWER MOUNTING BRACKET	UTILITY KNIFE
3	1	PASSENGER SIDE LOWER MOUNTING BRACKET	18MM SOCKET
4	1	DRIVER SIDE UPPER SUPPORT BRACKET	15MM SOCKET
5	1	PASSENGER SIDE UPPER SUPPORT BRACKET	14MM SOCKET
6	2	8MM THICK ROUND SPACER	PRY TOOL
7	2	DOUBLE NUT PLATE	ALLEN WRENCH
8	6	M12 HEX CAP SCREW 40MM LONG (YELLOW ZINC)	TORQUE WRENCH
9	8	M12 FLAT WASHER 24MM OD (YELLOW ZINC)	SOCKET EXTENS.
10	8	M12 SPLIT LOCK WASHER (YELLOW ZINC)	
11	2	M8 HEX CAP SCREW (YELLOW ZINC)	
12	2	M8 FLAT WASHER 16MM OD (YELLOW ZINC)	
13	2	M8 SPLIT LOCK WASHER (YELLOW ZINC)	
14	6	M12 HEX BUTTON HEAD SCREW (STAINLESS)	
15	6	M12 CUPPED WASHER (STAINLESS)	
16	6	M12 SERRATED FLANGE NUT (STAINLESS)	

**ANTI-SEIZE LUBRICANT MUST BE USED ON ALL STAINLESS STEEL FASTENERS TO PREVENT THREAD DAMAGE AND GALLING .**

1. This product may be mounted stand-alone or in conjunction with Winch Tray P/N 46-23746 (sold separately). (Note: For installation of winch tray reference I/S 75-1049)
2. Remove contents from box, verify if all parts listed are present and undamaged. Carefully read and understand all instructions before attempting installation. (Note: There is no need to remove front bumper to install grille guard assembly.)
3. If installing in conjunction with winch tray skip to step 7.
4. **For vehicles without factory tow hooks** trim the plastic in the areas in Figure 1 and 2. Repeat for the passenger side.
5. **For vehicles without factory tow hooks** slip 1 double nut plate into frame and line up with existing holes, see Figure 3. Loosely install the Lower Mounting Brackets using the supplied M12 hardware as shown in Figure 4. Trim screws if they interfere with lower mounting bracket see Figure 5, repeat for passenger side.
6. **For vehicles with factory tow hooks** remove tow hooks and loosely install Lower Mounting Brackets to factory nut plates using supplied M12 hardware as shown in Figure 4. Trim screws if they interfere with lower mounting bracket see Figure 5.
7. Remove all factory hardware and clips attached to grille, then remove grill. See Figures 6-12.
8. Remove factory bumper bolt see Figure 13. Install upper mounting bracket using supplied M8 hardware, tighten to 15 ft-lbs. See Figure 14.
9. Reinstall grille and headlight covers in the reverse order of the install instructions. (Note: If installing in conjunction with winch tray skip to step 12.)



Westin Automotive Products, Inc.  
320 Covina Blvd  
San Dimas, Ca. 91773

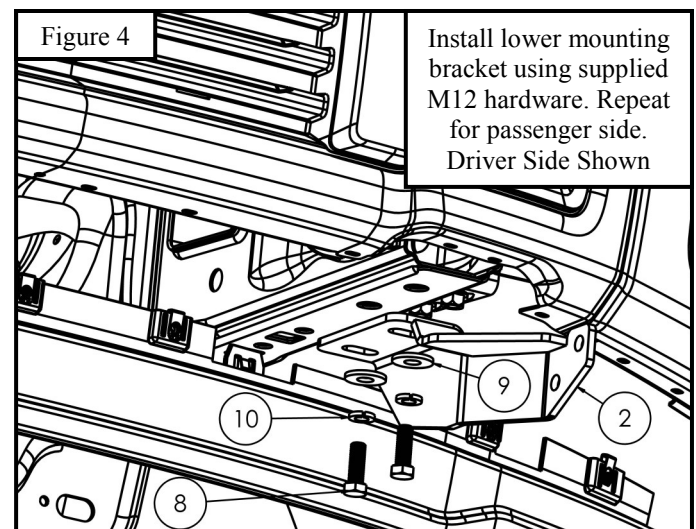
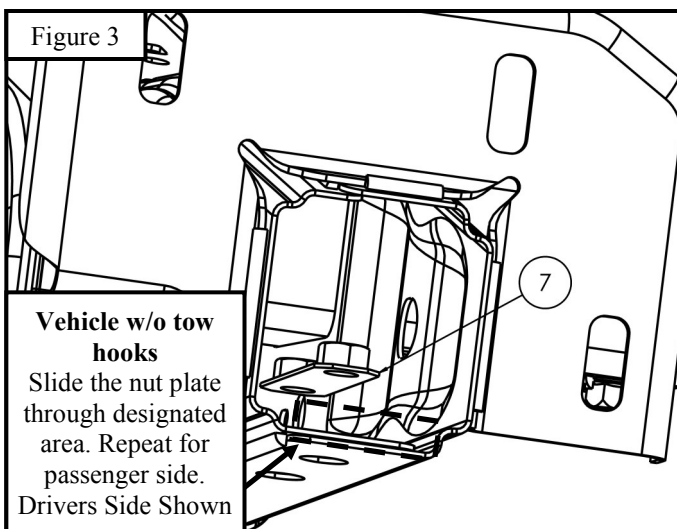
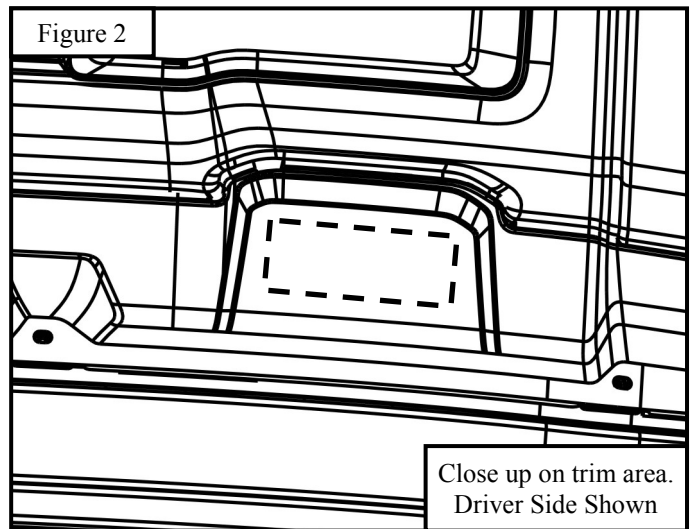
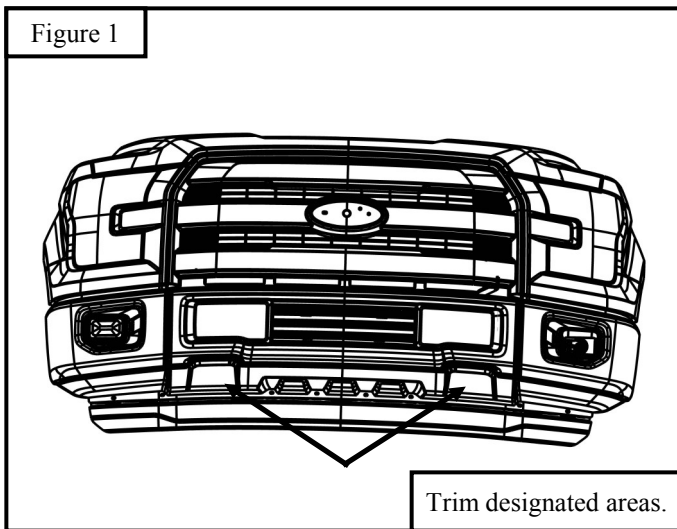
P.N.: 75-1101 REV A

ECO #: W14-0091

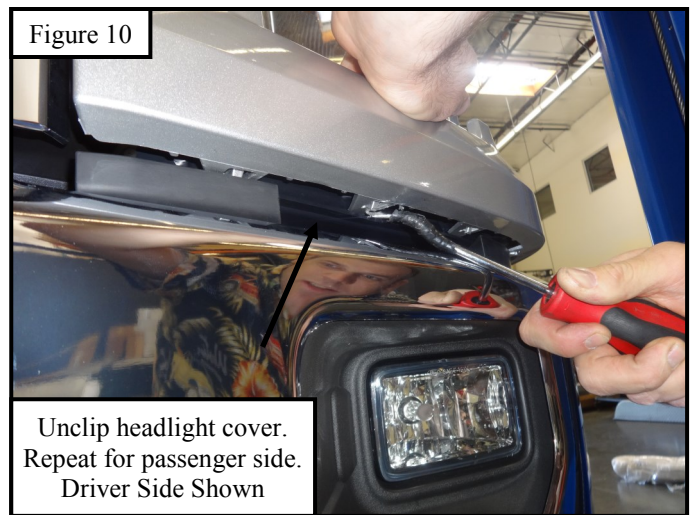
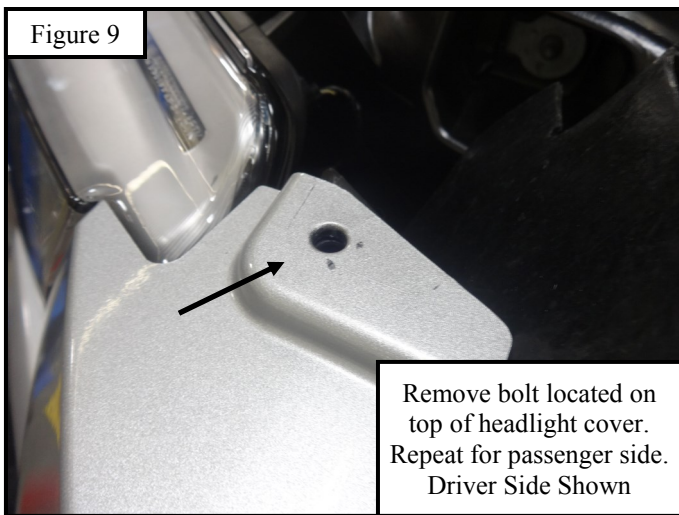
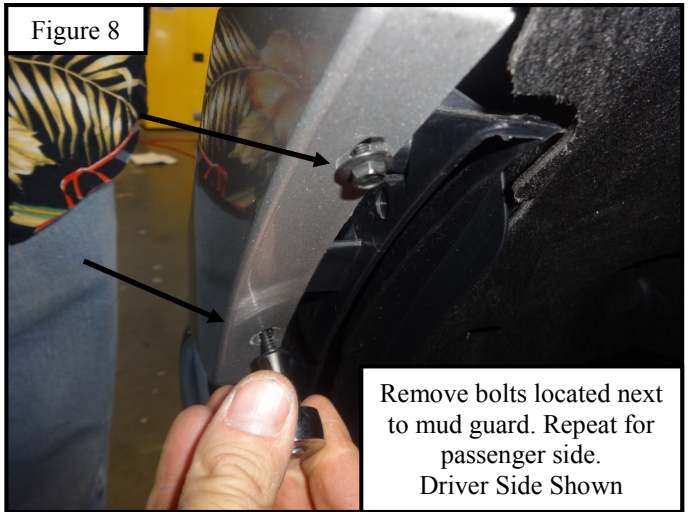
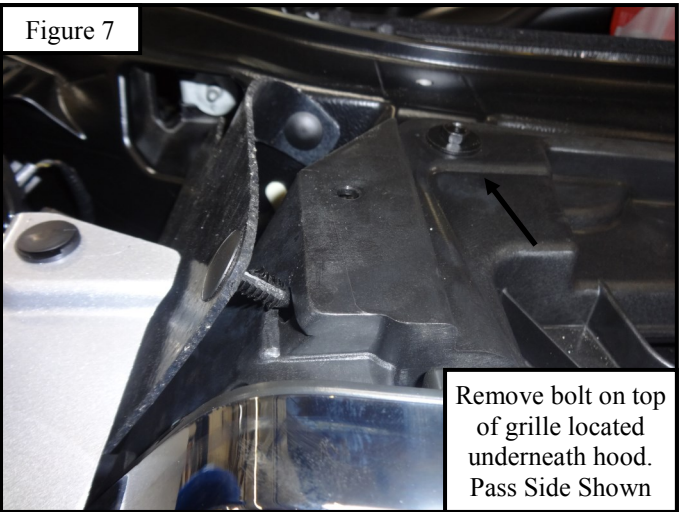
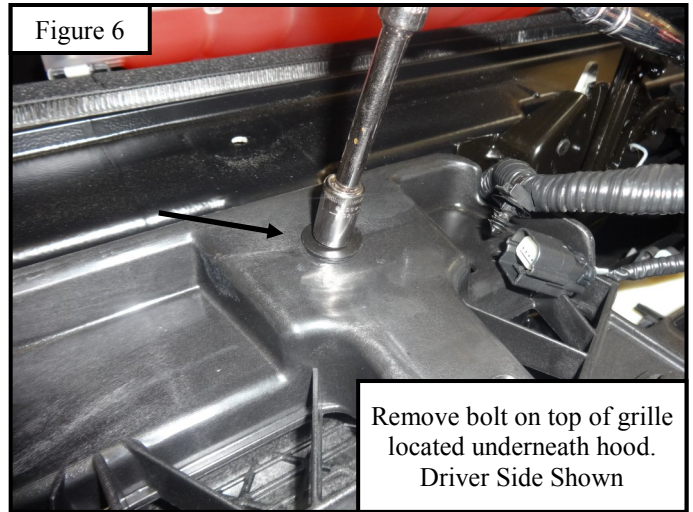
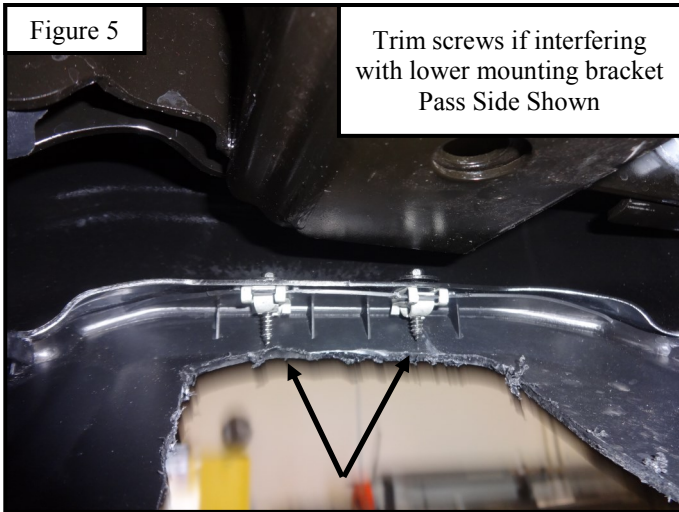
Thank You for choosing Westin products  
For Additional installation assistance please call  
Customer service (800) 793-7846  
[www.westinautomotive.com](http://www.westinautomotive.com)

DATE: 1/9/15

10. With assistance hold the Grille Guard up to the previously installed brackets. Loosely attach the Grille Guard to the brackets using the supplied M12 hardware, see Figure 15 and 16.
11. Align and adjust the Grille Guard as necessary. Tighten and torque M12 hardware to 50-55 ft-lbs.
12. **For use with winch tray only** with assistance hold the Grille Guard up to the previously installed winch tray and upper support brackets. Loosely attach the Grille Guard to the upper brackets and winch tray using the supplied M12 hardware, see Figure 17 and 18.
13. **For use with winch tray only** Align and adjust the Grille Guard as necessary. Tighten and torque M12 hardware



Westin Automotive Products, Inc.  
320 Covina Blvd  
San Dimas, Ca. 91773



Westin Automotive Products, Inc.  
320 Covina Blvd  
San Dimas, Ca. 91773

Thank You for choosing Westin products  
For Additional installation assistance please call  
Customer service (800) 793-7846  
[www.westinautomotive.com](http://www.westinautomotive.com)

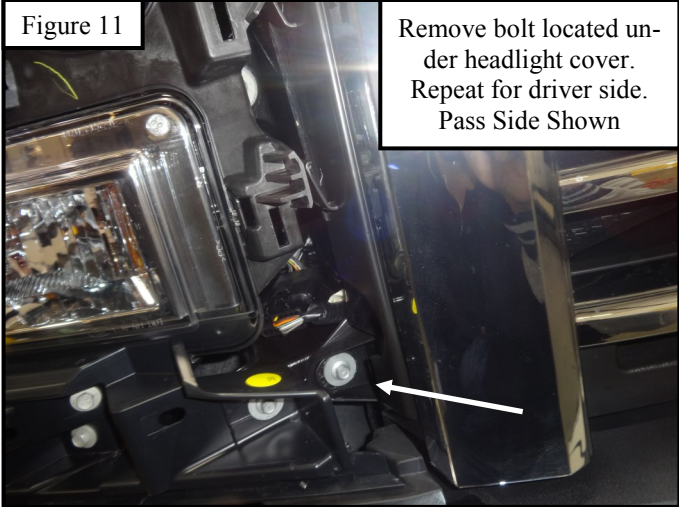


Figure 11

Remove bolt located under headlight cover. Repeat for driver side. Pass Side Shown

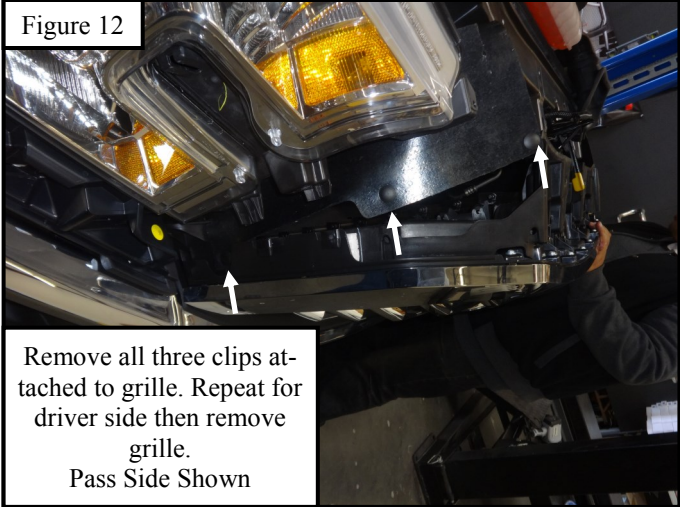


Figure 12

Remove all three clips attached to grille. Repeat for driver side then remove grille. Pass Side Shown

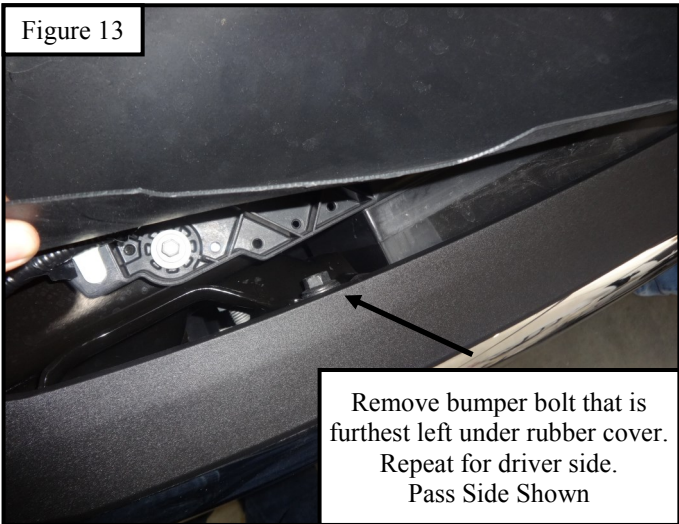


Figure 13

Remove bumper bolt that is furthest left under rubber cover. Repeat for driver side. Pass Side Shown

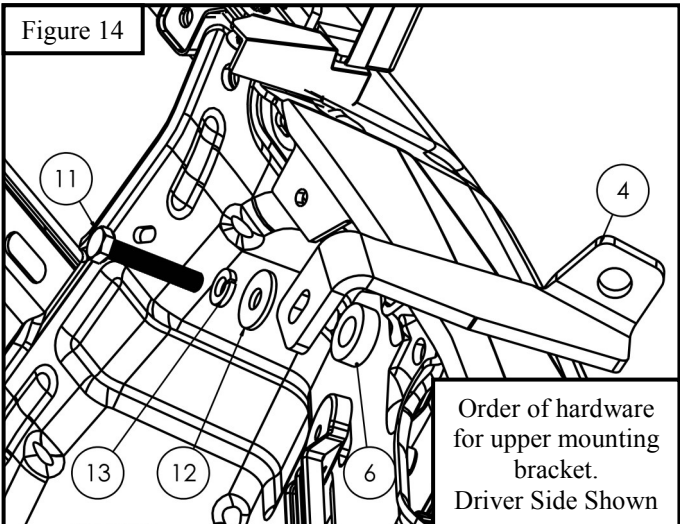


Figure 14

Order of hardware for upper mounting bracket. Driver Side Shown

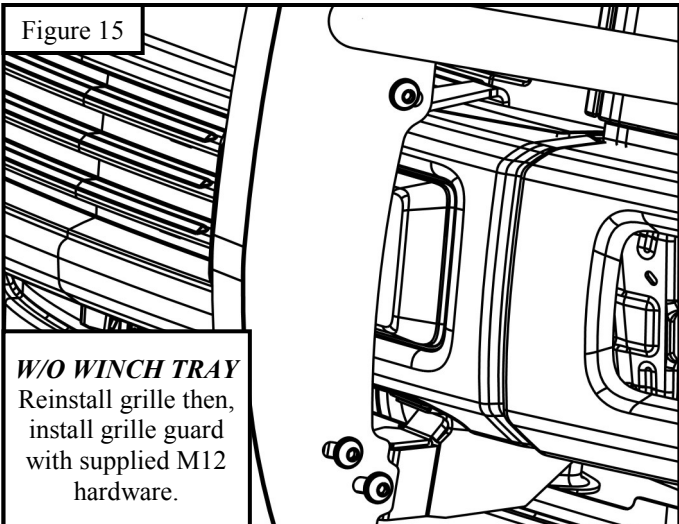


Figure 15

**W/O WINCH TRAY**  
Reinstall grille then, install grille guard with supplied M12 hardware.

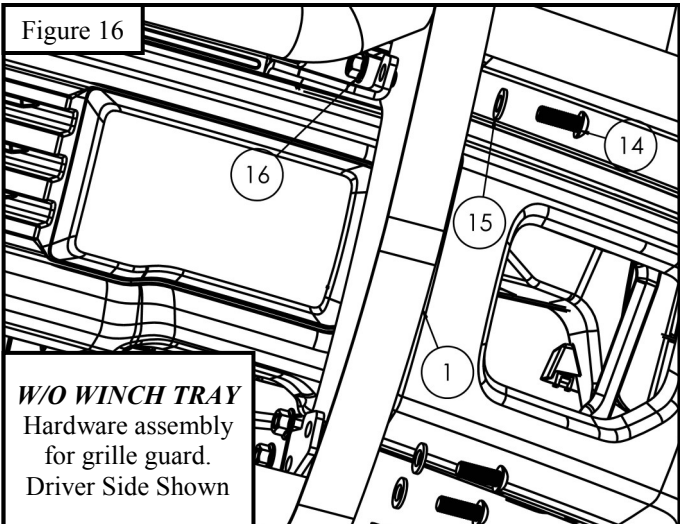


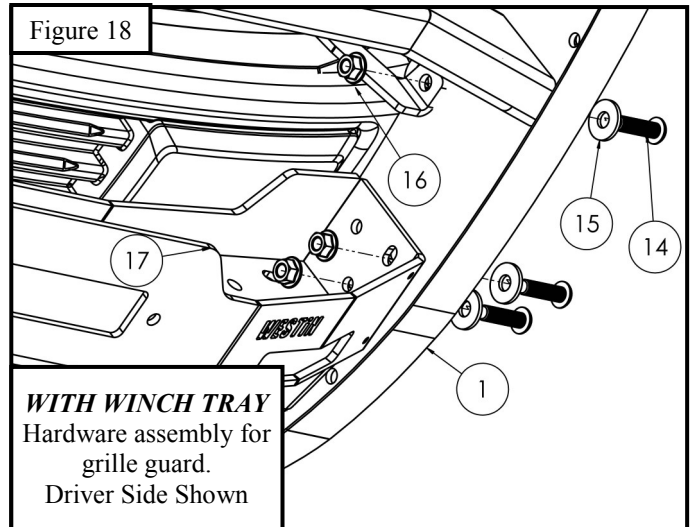
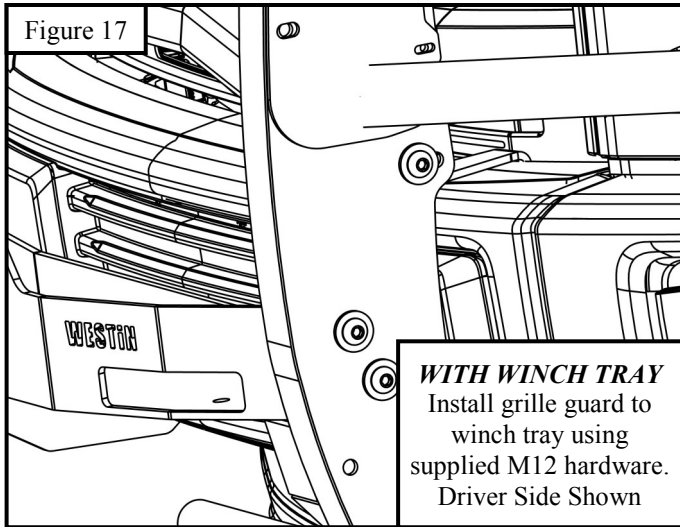
Figure 16

**W/O WINCH TRAY**  
Hardware assembly for grille guard. Driver Side Shown



Westin Automotive Products, Inc.  
320 Covina Blvd  
San Dimas, Ca. 91773

Thank You for choosing Westin products  
For Additional installation assistance please call  
Customer service (800) 793-7846  
[www.westinautomotive.com](http://www.westinautomotive.com)



Westin Automotive Products, Inc.  
320 Covina Blvd  
San Dimas, Ca. 91773

Thank You for choosing Westin products  
For Additional installation assistance please call  
Customer service (800) 793-7846  
[www.westinautomotive.com](http://www.westinautomotive.com)

## Installation Complete with Winch Tray



### CARE INSTRUCTIONS

- REGULAR WAXING IS RECOMMENDED. DO NOT USE ANY TYPE OF POLISH OR WAX THAT MAY CONTAIN ABRASIVES.
- STAINLESS STEEL PRODUCTS CAN BE CLEANED WITH MILD SOAP AND WATER. STAINLESS STEEL POLISH SHOULD BE USED TO POLISH SMALL SCRATCHES.
- GLOSS BLACK FINISHES SHOULD BE CLEANED WITH MILD SOAP AND WATER.



Westin Automotive Products, Inc.  
320 Covina Blvd  
San Dimas, Ca. 91773

P.N.: 75-1101 REV A

ECO #: W14-0091

6

Thank You for choosing Westin products  
For Additional installation assistance please call  
Customer service (800) 793-7846  
[www.westinautomotive.com](http://www.westinautomotive.com)

DATE: 1/9/15