



AUTOMOTIVE PRODUCTS,

INSTALLATION INSTRUCTIONS

Pro-Traxx 5 WTW

APPLICATION:

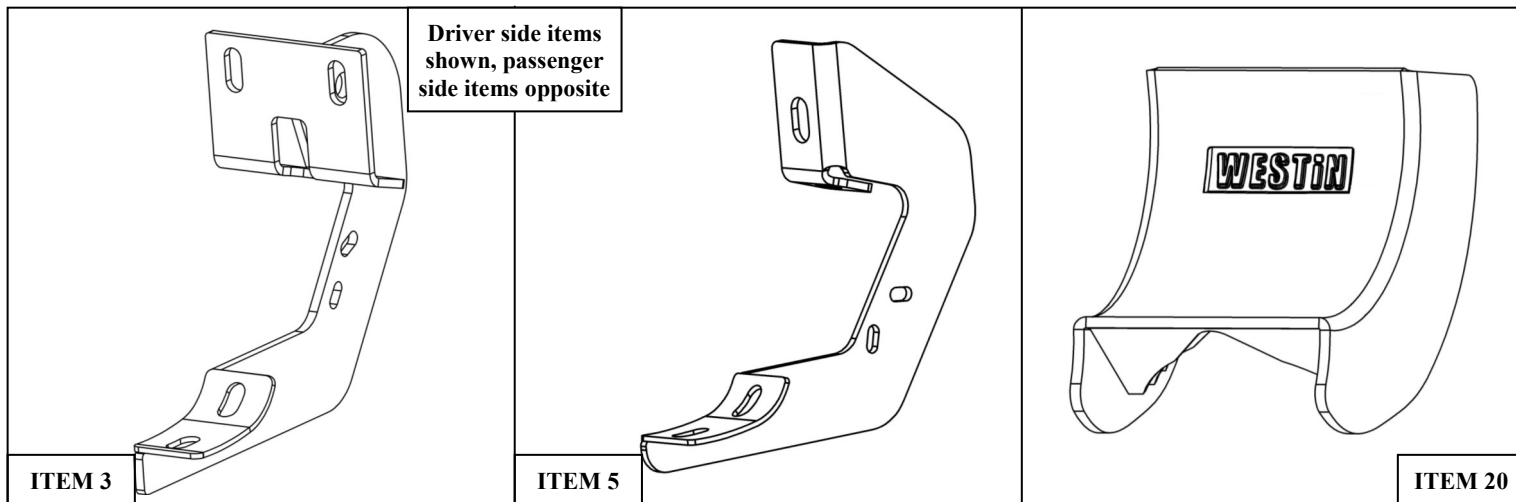
2009-2014 Ford F-150 Super Cab 6.5 ft Bed

PART NUMBER:

21-533510, 21-533515

ITEM	QUANTITY	DESCRIPTION	TOOLS NEEDED
1,2	2	STEP BAR ASSEMBLY, DRIVER (1) AND PASSENGER (2)	HEX KEY
3,4	4	MOUNTING BRACKET, DRIVER (3) AND PASSENGER (4)	13MM SOCKET
5,6	2	REAR MOUNTING BRACKET, DRIVER (5) AND PASSENGER (6)	13MM WRENCH
7	8	M8 EXTRUDED U-NUT (YELLOW ZINC)	16MM SOCKET
8	18	M8 HEX CAP SCREW (YELLOW ZINC)	16MM WRENCH
9	8	M8 SMALL FLAT WASHER (YELLOW ZINC)	DRILL
10	20	M8 LARGE FLAT WASHER (YELLOW ZINC)	3/8" DRILL BIT
11	18	M8 SPRING LOCK WASHER (YELLOW ZINC)	
12	10	M8 HEX NUT (YELLOW ZINC)	
13	2	M10 HEX CAP SCREW (YELLOW ZINC)	
14	4	M10 FLAT WASHER (YELLOW ZINC)	
15	2	M10 SPRING LOCK WASHER (YELLOW ZINC)	
16	2	M10 HEX NUT (YELLOW ZINC)	
17	12	M10 BUTTON HEAD SOCKET CAP SCREW (BLACK ZINC)	
18	12	M10 FLAT WASHER (BLACK ZINC)	
19	12	M10 INTERNAL TOOTH LOCK WASHER (BLACK ZINC)	
20	6	PLASTIC BRACKET COVER	
21	12	M6 HEX HEAD CAP SCREWS (YELLOW ZINC)	
22	24	M6 FLAT WASHERS (YELLOW ZINC)	
23	12	M6 NYLOCK NUT (YELLOW ZINC)	

ANTI-SEIZE LUBRICANT MUST BE USED ON ALL STAINLESS STEEL FASTENERS TO PREVENT THREAD DAMAGE AND GALLING



Westin Automotive Products, Inc.
320 W. Covina Blvd
San Dimas, Ca. 91773

Thank you for choosing Westin products
for additional installation assistance please call
Customer Service (800) 793-7846
www.westinautomotive.com

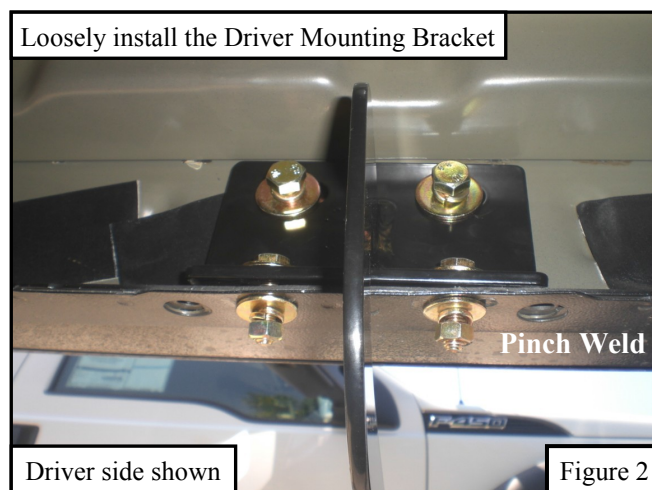
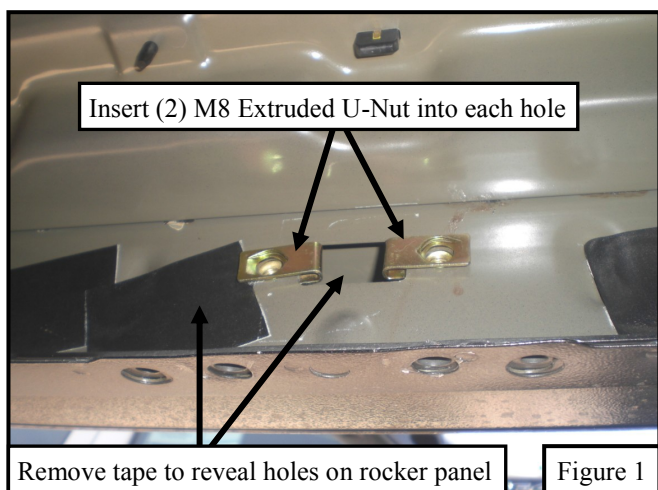
PROCEDURE

1. Remove contents from box, verify if all parts listed are present and free from damage.

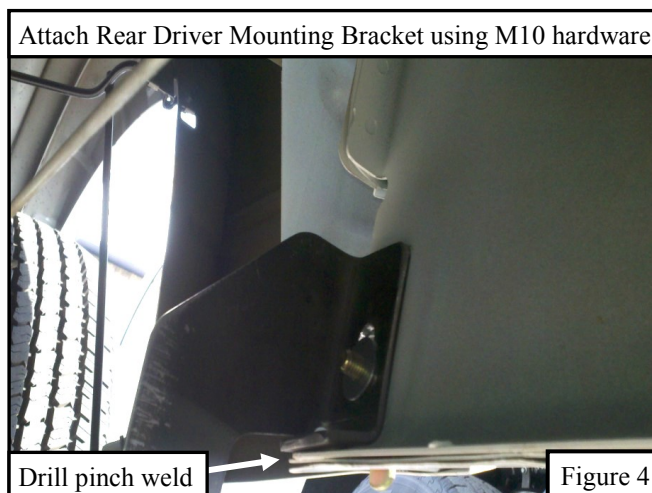
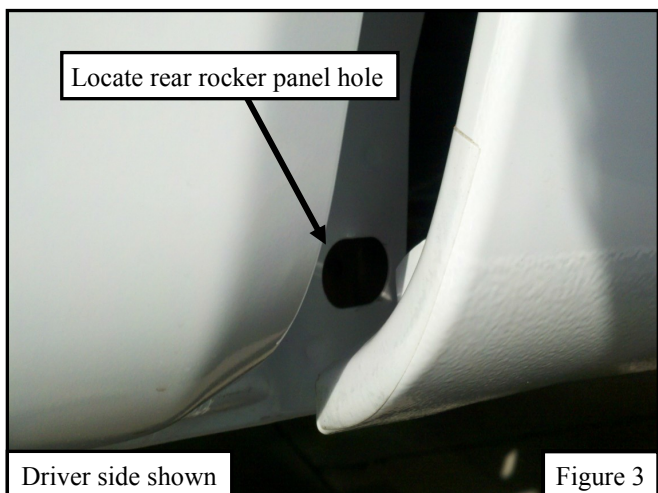
Carefully read and understand all instructions before attempting installation.

Failure to identify damage before installation could lead to a rejection of any claim.

2. Start installation on the driver's side. On the rocker panel locate and remove the tape covering the holes. Insert (4) M8 extruded u-nut into the two holes in rocker panel. See **Figure 1**.
3. Locate the (2) mounting Bracket (Item 3/4) and loosely install it to the previously installed M8 extruded u-nuts. Using (2) M8 hex cap screw, (2) M8 spring lock washer, and (2) M8 large flat washer. Loosely install the Mounting Driver Bracket to the pinch weld using (2) M8 hex cap screw, (2) M8 large flat washer, (2) M8 small flat washer, (2) M8 hex nut, and (2) M8 spring lock washer. Put the large flat washer on the outside of the pinch weld and the small flat washer on the inside of the pinch weld. Repeat for the other mounting bracket. See **Figure 2 and Driver Mounting Bracket Assembly**.
Note: The mounting cradles face the rear of the vehicle.



4. Moving to the rear of the rocker panel, locate the factory hole. See **Figure 3**.
5. Locate rear mounting bracket (Item 5/6). Using the supplied M10 hardware, loosely install the bracket to the rocker panel factory hole. See **Figure 4**. Align the bracket with the pinch weld and drill a hole through the pinch weld using a 3/8" drill bit. Remove any metal debris. Loosely secure the bracket to the pinch weld using (1) M8 hex cap screw, (1) M8 spring lock washer, (2) M8 large flat washer, and (1) M8 hex nut. See **Driver Rear Mounting Bracket Assembly**.



Westin Automotive Products, Inc.
320 W. Covina Blvd
San Dimas, Ca. 91773

Thank you for choosing Westin products
for additional installation assistance please call
Customer Service (800) 793-7846

6. Locate (1) plastic bracket cover (Item 13) and loosely secure it to the (6) brackets using the provided hardware: (2) M6 hex head cap screws, (4) M6 flat washers, and (2) M6 nylon nuts. Repeat for every bracket. See **Figure 5**.

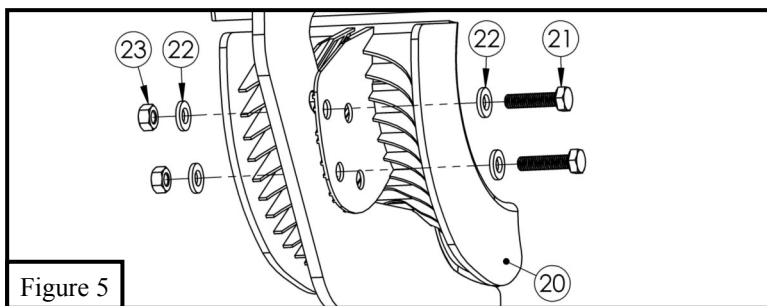


Figure 5

7. Locate the step bar assembly (Item 1/2) and align it with the brackets. See **Figure 6**.
 8. Loosely install the step bar assembly using supplied M10 hardware (black zinc/stainless steel). See **Figure 7**.



Figure 6

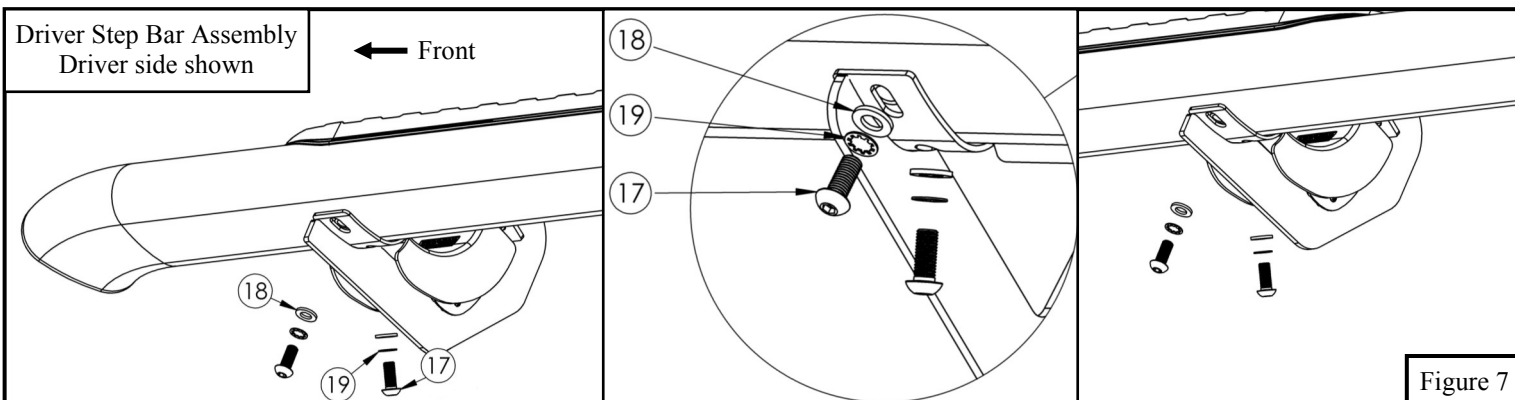
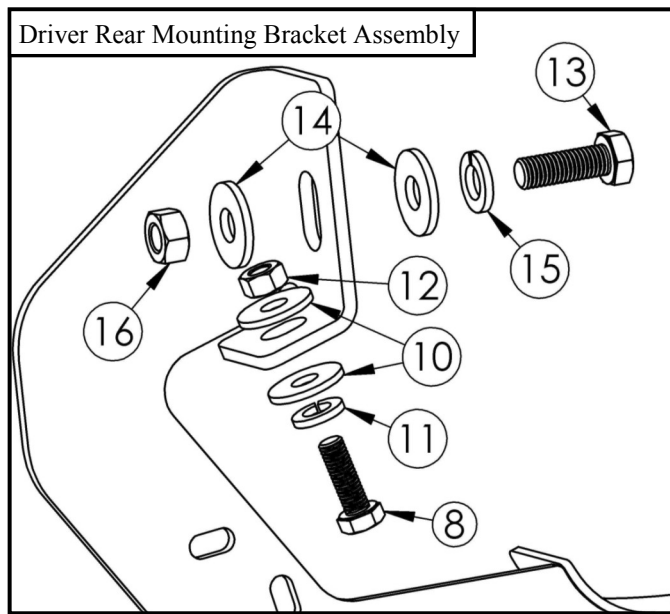
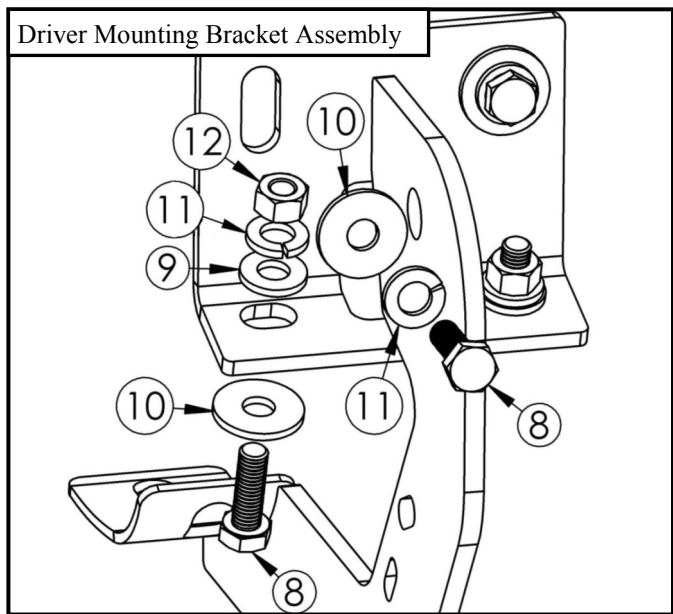


Figure 7



Westin Automotive Products, Inc.
 320 W. Covina Blvd
 San Dimas, Ca. 91773

Thank you for choosing Westin products
 for additional installation assistance please call
 Customer Service (800) 793-7846

9. Align and adjust the step bar and brackets as necessary then tighten and torque all fasteners as follows: M8 to 20 ft-lbs, M6 to 5-7 ft-lbs, and M10 to 30 ft-lbs.
10. Repeat for the passenger side.



CARE INSTRUCTIONS

- REGULAR WAXING IS RECOMMENDED. DO NOT USE ANY TYPE OF POLISH OR WAX THAT MAY CONTAIN ABRASIVES.
- STAINLESS STEEL PRODUCTS CAN BE CLEANED WITH MILD SOAP AND WATER. STAINLESS STEEL POLISH SHOULD BE USED TO POLISH SMALL SCRATCHES.
- GLOSS BLACK FINISHES SHOULD BE CLEANED WITH MILD SOAP AND WATER.



Westin Automotive Products, Inc.
320 W. Covina Blvd
San Dimas, Ca. 91773



SIGNATURE OF QUALITY

AUTOMOTIVE PRODUCTS, INC.



WARNING



Failure to follow these instructions could lead to death, personal injury, and / or property damage.

FASTENERS:

All Westin supplied fasteners must be utilized and installed in accordance with the installation instructions and apply torque to the specifications as defined. **DOUBLE CHECK ALL FASTENERS BEFORE INITIAL USE, AND PERIODICALLY IN THE FUTURE TO ENSURE PROPER FUNCTION AND SAFETY.**

DRILLING:

Most Westin products do not require drilling for installation. If drilling is defined as required, use caution when drilling a vehicle. **FAILURE TO REVIEW AN AREA TO BE DRILLED MAY RESULT IN PERSONAL INJURY AND/OR INJURY TO OTHERS AS WELL AS VEHICLE DAMAGE.**

EYE PROTECTION:

ALWAYS WEAR SAFETY GLASSES OR GOGGLES DURING THE INSTALLATION PROCESS TO AVOID PERSONAL INJURY.

MAXIMUM TOWING/CARRYING CAPACITY:

The Westin Receiver Hitches will have a visible tow rating label affixed directly on the product. User should never exceed the vehicle manufacturers maximum tow and weight rating regardless of the capacity of the hitch. **FAILURE TO FOLLOW THESE GUIDELINES WILL VOID THE WESTIN WARRANTY AND MAY RESULT IN PERSONAL INJURY AND/OR INJURY TO OTHERS AS WELL AS VEHICLE DAMAGE.**



Westin Automotive Products, Inc.
320 W. Covina Blvd
San Dimas, Ca. 91773