



AUTOMOTIVE PRODUCTS,

INSTALLATION INSTRUCTIONS

PROTRAXX 5 WHEEL-TO-WHEEL

APPLICATION:

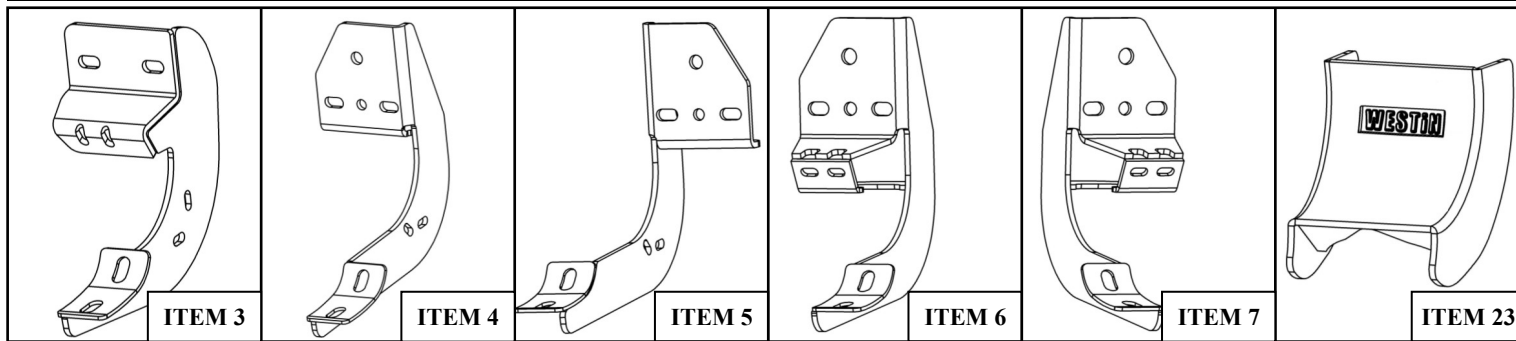
2010-2017 Dodge Ram 2500/3500 Crew Cab 6'4" Bed

PART NUMBER:

21-534320, 21-534325

ITEM	QUANTITY	DESCRIPTION	TOOLS NEEDED
1,2	2	STEP BAR, DRIVER(1) AND PASSENGER(2)	13MM SOCKET
3	1	FRONT DRIVER MOUNTING BRACKET	13MM WRENCH
4	1	CENTER DRIVER MOUNTING BRACKET	10MM SOCKET
5	2	FRONT / CENTER PASSENGER MOUNTING BRACKET	10MM WRENCH
6,7	2	REAR MOUNTING BRACKET, DRIVER (6) AND PASSENGER (7)	18MM SOCKET
8	12	M10 BUTTON HEAD BOLT (BLACK ZINC)	18MM WRENCH
9	12	M10 FLAT WASHER (BLACK ZINC)	RATCHET
10	12	M10 INTERNAL TOOTHED LOCK WASHER (BLACK ZINC)	TORQUE WRENCH
11	12	M8 FLAT WASHER (YELLOW ZINC)	1/4" DRILL BIT
12	12	M8 HEX HEAD BOLT (YELLOW ZINC)	DRILL
13	12	M8 LOCK WASHER (YELLOW ZINC)	
14	8	M8 HEX RIV CERTS (YELLOW ZINC)	
15	5	M10 FLAT WASHER (YELLOW ZINC)	
16	5	M10 HEX NUT (YELLOW ZINC)	
17	5	M10 LOCK WASHER (YELLOW ZINC)	
18	5	M10 STUD / M8 NUT PLATE (YELLOW ZINC)	
19	6	M6 BUTTON HEAD BOLT (BLACK ZINC)	
20	6	M6 FLAT WASHER (BLACK ZINC)	
21	6	M6 SERRATED FLANGE NUT (BLACK ZINC)	
22	5	M10 PLASTIC RETAINER	
23	6	PLASTIC BRACKET COVERS	
24	12	M6 HEX HEAD CAP SCREW (YELLOW ZINC)	
25	24	M6 FLAT WASHER (YELLOW ZINC)	
26	12	M6 NYLON LOCK NUT (YELLOW ZINC)	

ANTI-SEIZE LUBRICANT MUST BE USED ON ALL STAINLESS STEEL FASTENERS TO PREVENT THREAD DAMAGE AND GALLING



Westin Automotive Products, Inc.
320 W. Covina Blvd
San Dimas, Ca. 91773

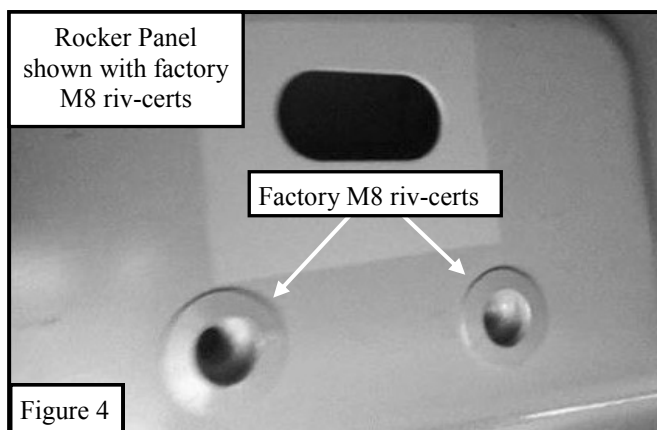
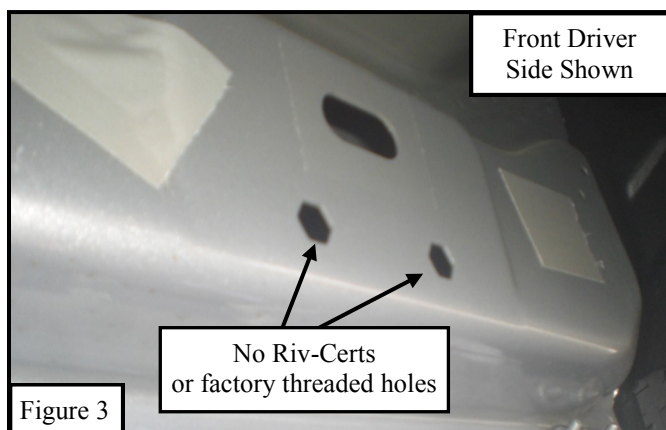
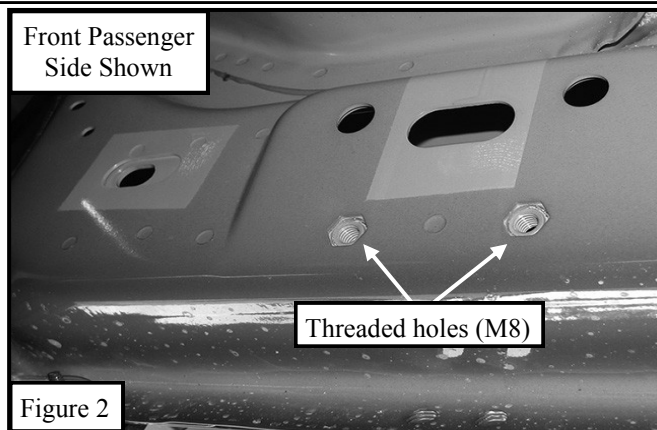
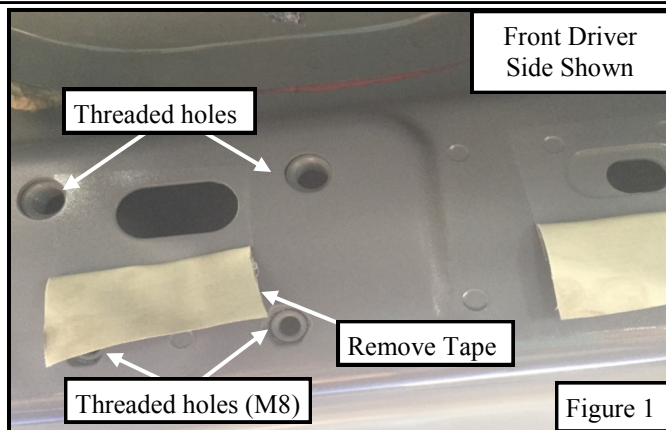
PROCEDURE

1. Remove contents from box, verify if all parts listed are present and free from damage.

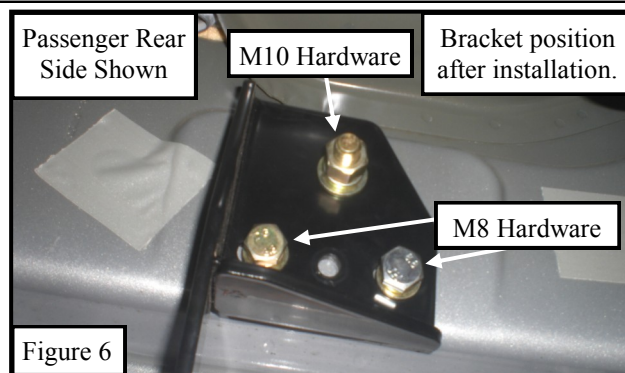
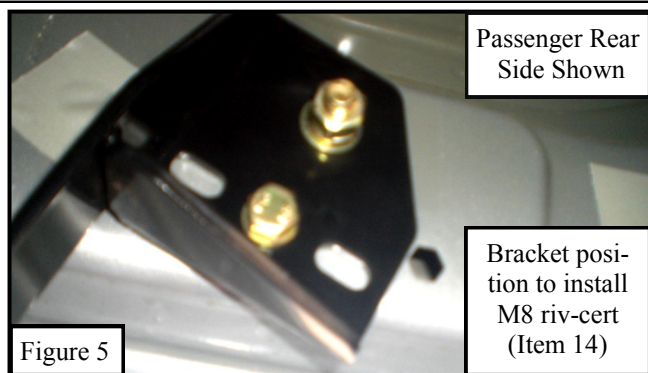
Carefully read and understand all instructions before attempting installation.

Failure to identify damage before installation could lead to a rejection of any claim.

2. Check either side of the vehicles rocker panel, locate the factory holes in the rocker panel by removing the tape. Check and verify what type of rocker panel you have. See **Figures 1, 2, 3, & 4.** **Note:** If any of the locations on the factory holes in the rocker panel have factory M8 riv-certs or threaded M8 holes, do not use provided M8 riv-certs (Item 14) in that location. Refer to **Figures 1, 2 & 4.**

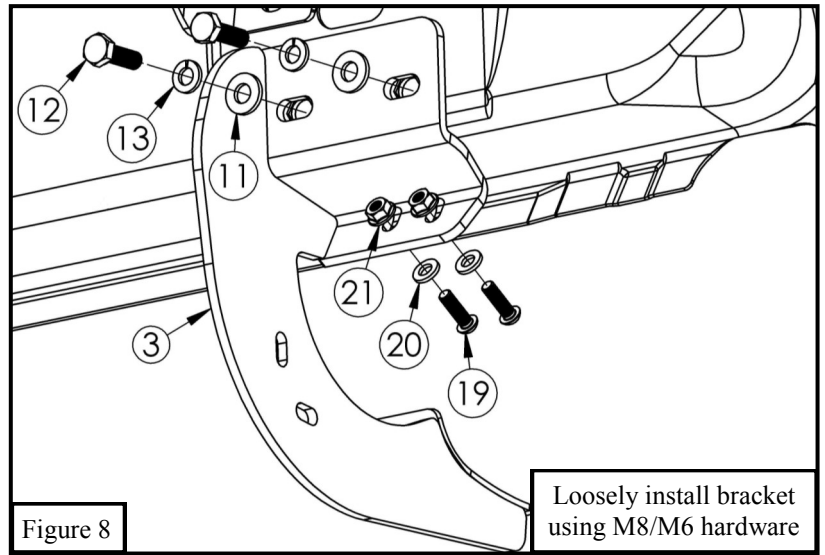
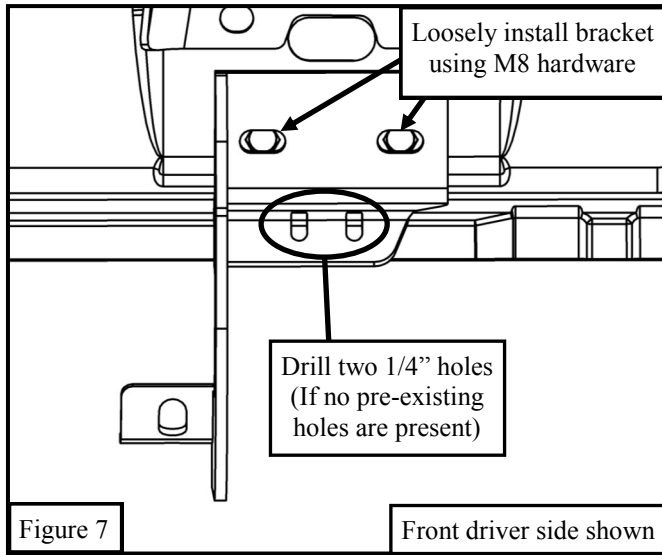


3. **Starting from the driver side:** If the hexagonal holes in the front mounting location of the vehicle are not threaded use (2) M8 riv-certs (Item 14) and insert it into hex holes in the vehicle. **Note:** See **Figures 5 & 6** for example on how to tighten M8 riv-certs, it will require to use an M10 bolt with M8 nut plate (Item 18) along with mounting bracket (Item 4/5) to perform this task. This procedure will permanently install M8 riv-cert. Remove M8 nut plate after the riv-certs are tightened.

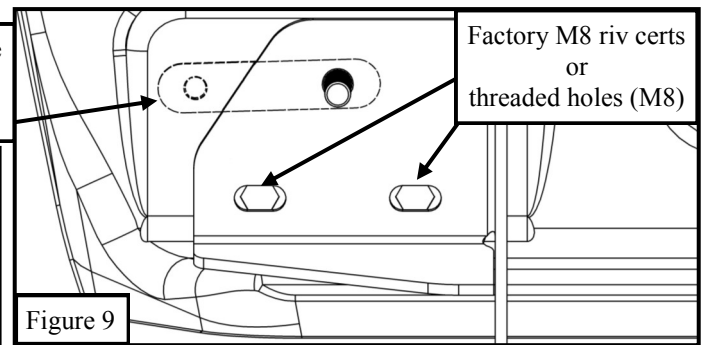
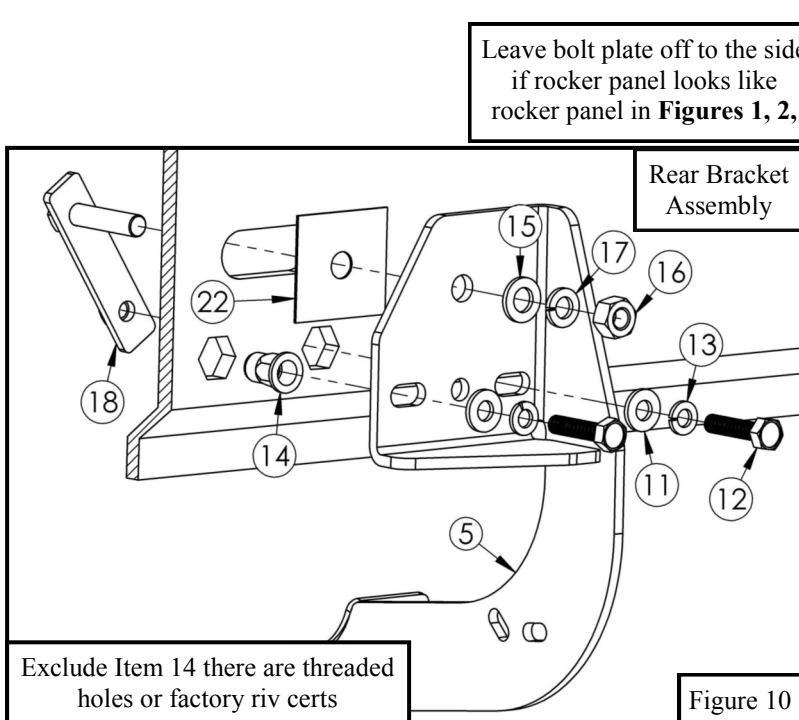


Westin Automotive Products, Inc.
320 W. Covina Blvd
San Dimas, Ca. 91773

4. Starting on the driver side, locate (1) Front Driver Mounting Bracket (Item 3) and loosely install using (2) M8 hex head bolt (Item 12), (2) M8 flat washers (Item 11), (2) M8 lock washers (Item 13), (2) M6 button head bolts (Item 19), (2) M6 flat washer (Item 20), and (2) M6 serrated flange nut (Item 21). **Note:** Drilling of two 1/4" holes might be necessary on pinch weld if factory holes are not present. Before drilling place masking tape on drill surface to prevent paint chipping. See **Figures 7 & 8**. Refer to **Bracket Orientation**.



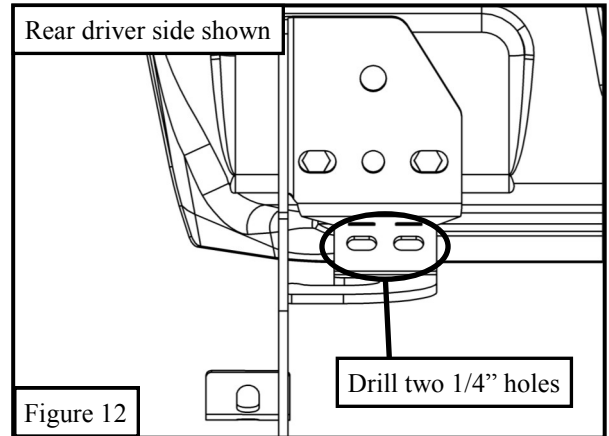
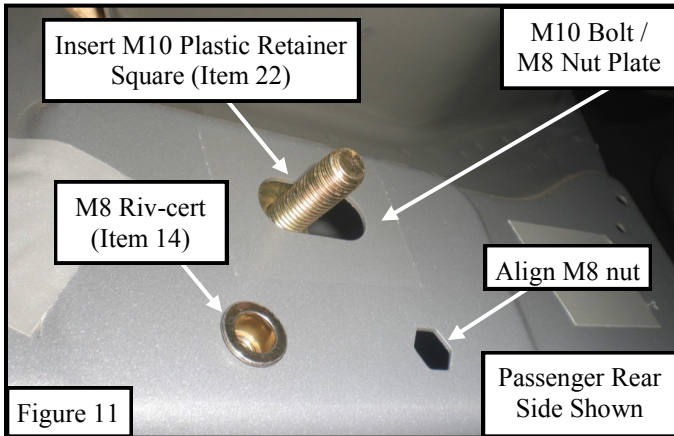
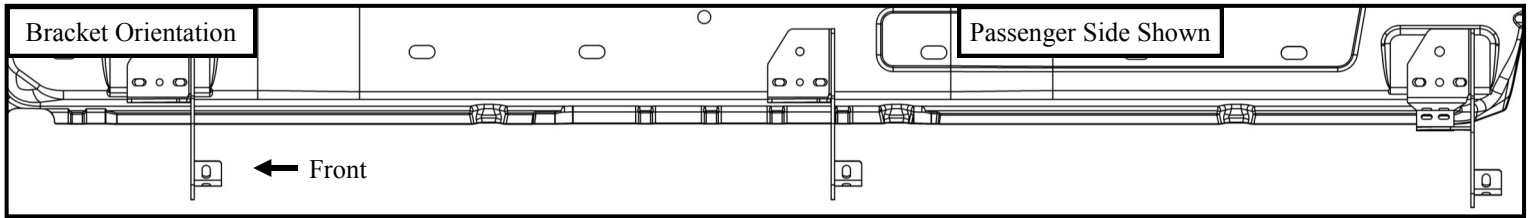
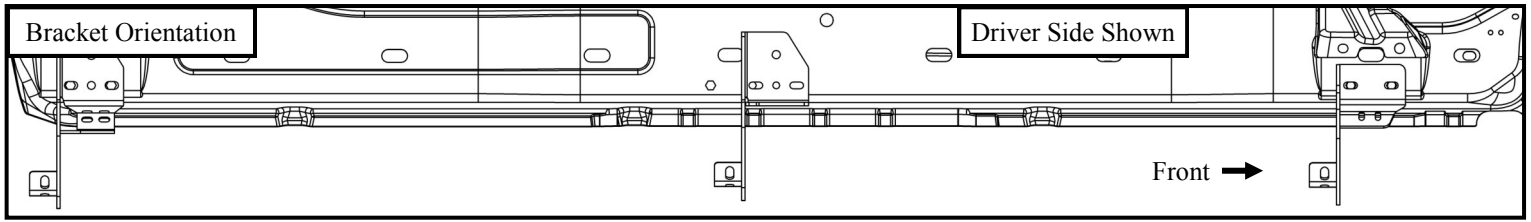
5. Locate (1) Center Driver Mounting Bracket (Item 4). Install (1) M8 Hex Riv Cert (Item 14), refer to step 3, if mounting location does not have threaded holes. Refer to **Figure 3**. Install (1) M10 Stud / M8 Nut Plate (Item 18) and secure using one M10 plastic retainer (Item 22). See **Figure 11**, Leave bolt plate to the side if mounting location has threaded holes or factory M8 riv certs. See **Figure 9**. Loosely install mounting bracket to the rocker panel using (2) M8 hex head bolt (Item 12), (2) M8 flat washer (Item 11), (2) M8 lock washer (Item 13), (1) M10 flat washer (Item 15), (1) M10 hex nut (Item 16), and (1) M10 lock washer (Item 17). See **Figure 10**. Refer to **Bracket Orientation**.
6. Repeat **Step 5** for the front and center passenger side mounting locations.



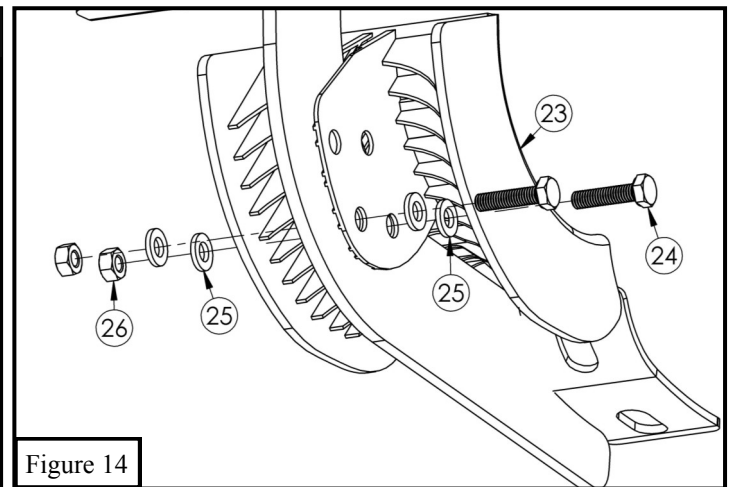
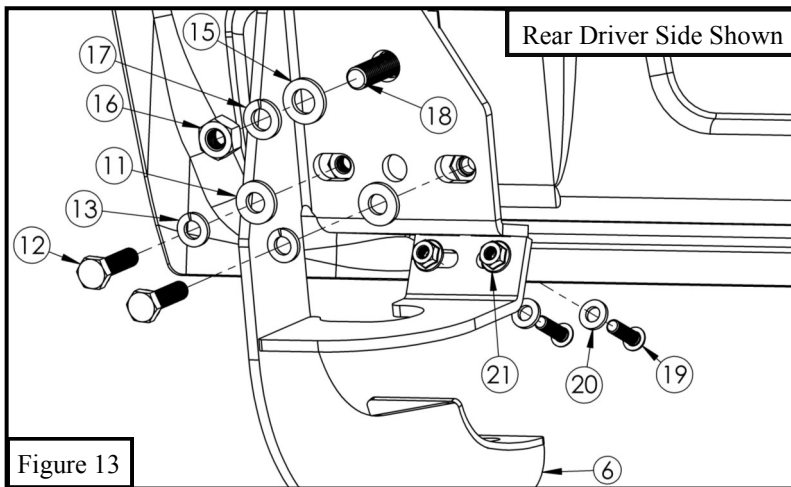
NOTE: This exploded view corresponds to **Figure 3** rocker panel due to using Item 14. **Figures 1-2,4** use the same hardware except Item 14.



Westin Automotive Products, Inc.
320 W. Covina Blvd
San Dimas, Ca. 91773



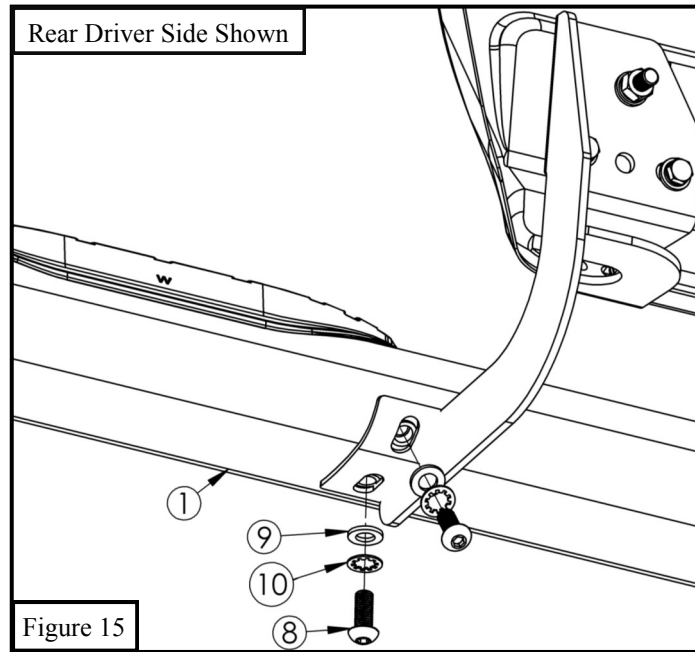
7. Locate (1) Rear Driver Mounting Bracket (Item 6). Install (1) M8 Hex Riv Cert (Item 14), refer to **Step 3**, if mounting location does not have threaded holes. Refer to **Figure 3**. Install (1) M10 Stud / M8 Nut Plate (Item 18) and secure using one M10 plastic retainer (Item 22). See **Figure 11**. Leave bolt plate to the side if mounting location has threaded holes or factory M8 riv certs. See **Figure 9**. Drill two 1/4" holes in the pinch weld, before drilling place masking tape on drill surface to prevent paint chipping. See **Figure 12**. Loosely install mounting bracket to the rocker panel using (2) M8 hex head bolt (Item 12), (2) M8 flat washer (Item 11), (2) M8 lock washer (Item 13), (1) M10 flat washer (Item 15), (1) M10 hex nut (Item 16), (1) M10 lock washer (Item 17), (2) M6 button head bolts (Item 19), (2) M6 flat washer (Item 20), and (2) M6 serrated flange nut (Item 21). See **Figure 13**. Repeat for rear passenger side.
8. Locate (1) Plastic Bracket Cover (Item 23) and loosely secure it to the brackets using the provided hardware: (2) M6 hex head cap screws, (4) M6 flat washers, and (2) M6 nylon lock nuts. Repeat for every bracket. See **Figure 14**.



Westin Automotive Products, Inc.
320 W. Covina Blvd
San Dimas, Ca. 91773

Thank you for choosing Westin products
for additional installation assistance please call
Customer Service (800) 793-7846

9. Loosely install the Step Bar (Item 1) to the previously installed mounting brackets with the supplied M10 hardware (items 8-10). See **Figure 15**.



10. Repeat **Step 9** for passenger side step bar.
11. Align and adjust the step bars and brackets. Then tighten all M10 hardware to 30 - 35 ft-lbs, M8 to 15 - 18 ft-lbs, and M6 to 5 - 7 ft-lbs.



CARE INSTRUCTIONS

- REGULAR WAXING IS RECOMMENDED. DO NOT USE ANY TYPE OF POLISH OR WAX THAT MAY CONTAIN ABRASIVES.
- STAINLESS STEEL PRODUCTS CAN BE CLEANED WITH MILD SOAP AND WATER. STAINLESS STEEL POLISH SHOULD BE USED TO POLISH SMALL SCRATCHES.
- GLOSS BLACK FINISHES SHOULD BE CLEANED WITH MILD SOAP AND WATER.



Westin Automotive Products, Inc.
320 W. Covina Blvd
San Dimas, Ca. 91773



SIGNATURE OF QUALITY

AUTOMOTIVE PRODUCTS, INC.



WARNING



Failure to follow these instructions could lead to death, personal injury, and / or property damage.

FASTENERS:

All Westin supplied fasteners must be utilized and installed in accordance with the installation instructions and apply torque to the specifications as defined. **DOUBLE CHECK ALL FASTENERS BEFORE INITIAL USE, AND PERIODICALLY IN THE FUTURE TO ENSURE PROPER FUNCTION AND SAFETY.**

DRILLING:

Most Westin products do not require drilling for installation. If drilling is defined as required, use caution when drilling a vehicle. **FAILURE TO REVIEW AN AREA TO BE DRILLED MAY RESULT IN PERSONAL INJURY AND/OR INJURY TO OTHERS AS WELL AS VEHICLE DAMAGE.**

EYE PROTECTION:

ALWAYS WEAR SAFETY GLASSES OR GOGGLES DURING THE INSTALLATION PROCESS TO AVOID PERSONAL INJURY.

MAXIMUM TOWING/CARRYING CAPACITY:

The Westin Receiver Hitches will have a visible tow rating label affixed directly on the product. User should never exceed the vehicle manufacturers maximum tow and weight rating regardless of the capacity of the hitch. **FAILURE TO FOLLOW THESE GUIDELINES WILL VOID THE WESTIN WARRANTY AND MAY RESULT IN PERSONAL INJURY AND/OR INJURY TO OTHERS AS WELL AS VEHICLE DAMAGE.**



Westin Automotive Products, Inc.
320 W. Covina Blvd
San Dimas, Ca. 91773