

INSTALLATION INSTRUCTIONS



LED COWL MOUNT

APPLICATION:

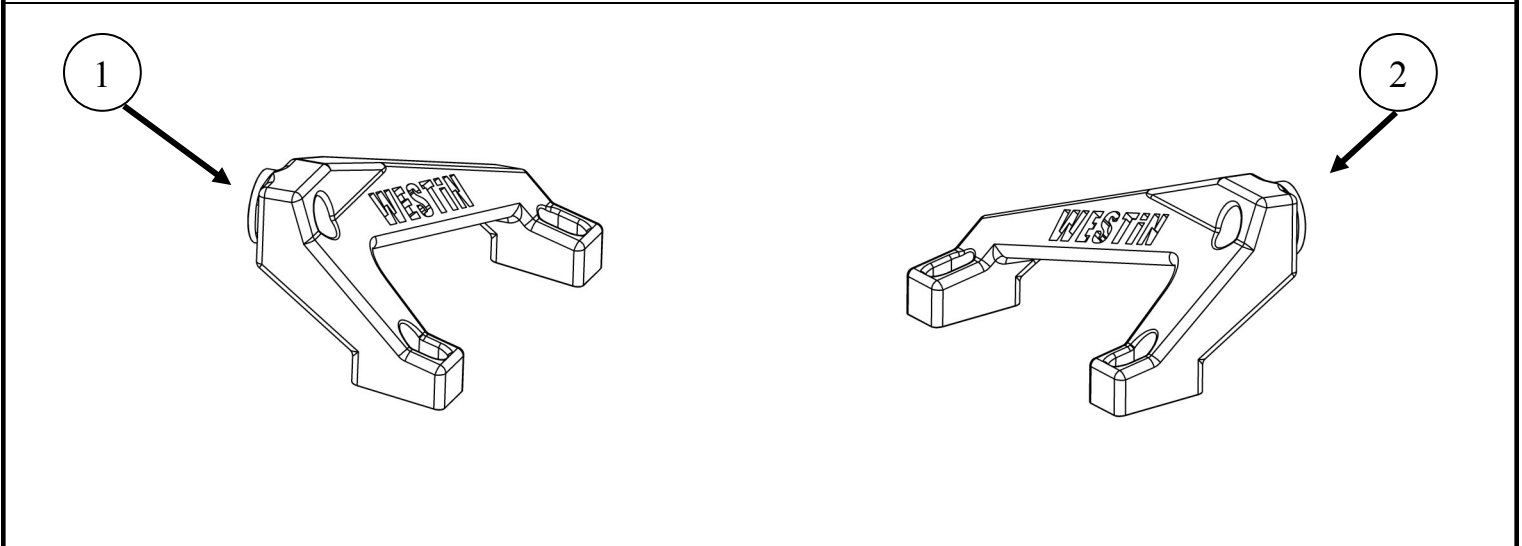
2007-2018 Jeep Wrangler JK (Excl. JL)

PART NUMBER:

62-41025

ITEM	QUANTITY	DESCRIPTION	TOOLS NEEDED
1,2	2	MOUNT BRACKET, DRIVER (1) AND PASSENGER (2)	T-50 TORX SOCKET
3	2	M8 SPLIT LOCK WASHER	RATCHET
4	2	M8 SOCKET HEAD CAP SCREW	TORQUE WRENCH
5	4	M5 SOCKET HEAD CAP SCREW	ALLEN WRENCH
6	4	M5 SPLIT LOCK WASHER	
7	4	M5 FLAT WASHER	
8	1	FOAM TAPE	

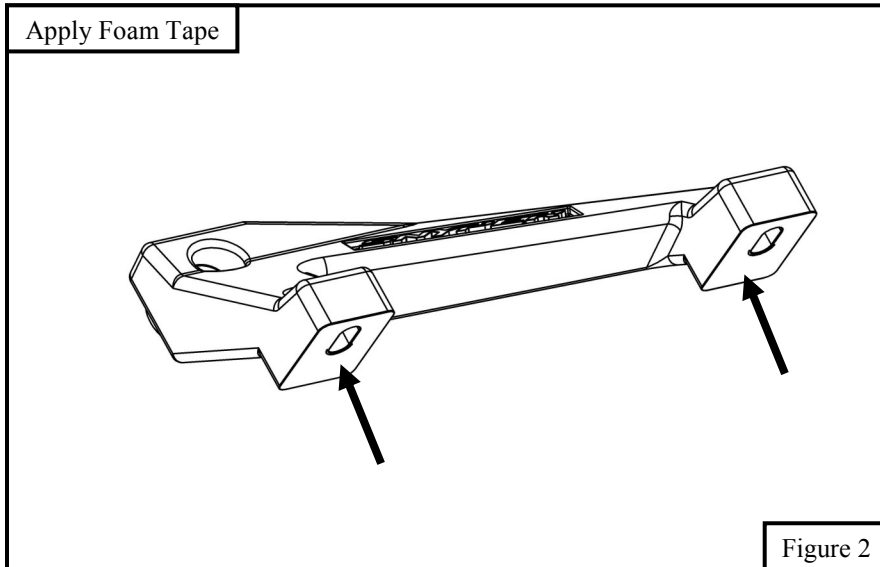
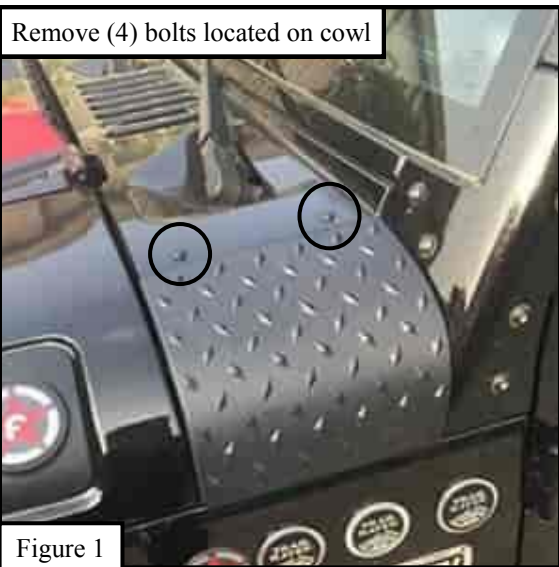
ANTI-SEIZE LUBRICANT MUST BE USED ON ALL STAINLESS STEEL FASTENERS TO PREVENT THREAD DAMAGE AND GALLING



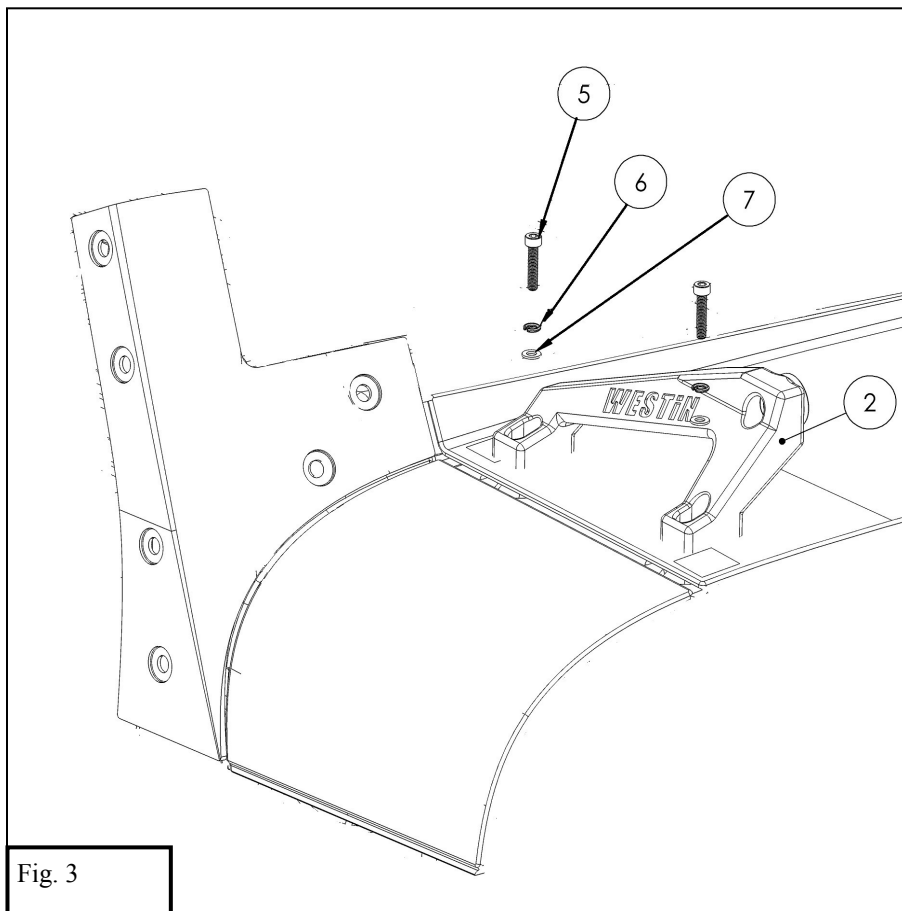
PROCEDURE

1. Remove contents from box, verify if all parts listed are present and free from damage.
Carefully read and understand all instructions before attempting installation.
Failure to identify damage before installation could lead to a rejection of any claim.

2. Starting on the driver side of the vehicle, locate and remove the two bolts located on the cowl. **Note:** Bolts will not be re-used. See **Figure 1**.
3. Locate the supplied foam tape and trim enough to cover the bottom of the mount bracket (1 & 2). Place the trimmed tape on the bracket's mounting surface. Refer to **Figure 2**.



4. Position the mounting bracket on the cowl and align with the two mounting holes with those of the cowl. Loosely install the bracket using two M5 socket head cap screws (4), two M5 split lock washers (6), and two M5 flat washers (7). See **Figure 3**.
5. Repeat steps 2-4 for passenger side.
6. To install the light bar, with the help of an assistance, carefully lift light bar and position it between the two mounting brackets. Align the holes of both ends of the light bar with the holes of the mounting bracket. Secure the light bar using the supplied M8 hardware (3 & 4). **Note:** Light bar sold separately.
7. Torque all M5 fasteners to 25 in-lbs and M8 fasteners to 15-18 ft-lbs.





INSTALLATION COMPLETE

WESTIN

PILLAR LED LIGHT MOUNT SOLD SEPERATELY

CARE INSTRUCTIONS

- REGULAR WAXING IS RECOMMENDED. DO NOT USE ANY TYPE OF POLISH OR WAX THAT MAY CONTAIN ABRASIVES.
- STAINLESS STEEL PRODUCTS CAN BE CLEANED WITH MILD SOAP AND WATER. STAINLESS STEEL POLISH SHOULD BE USED TO POLISH SMALL SCRATCHES.
- GLOSS BLACK FINISHES SHOULD BE CLEANED WITH MILD SOAP AND WATER.

WESTIN Westin Automotive Products, Inc.
320 W. Covina Blvd
San Dimas, Ca. 91773

Thank you for choosing Westin products
for additional installation assistance please call
Customer Service (800) 793-7846
www.westinautomotive.com



WARNING



Failure to follow these instructions could lead to death, personal injury, and / or property damage.

FASTENERS:

All Westin supplied fasteners must be utilized and installed in accordance with the installation instructions and apply torque to the specifications as defined. **DOUBLE CHECK ALL FASTENERS BEFORE INITIAL USE, AND PERIODICALLY IN THE FUTURE TO ENSURE PROPER FUNCTION AND SAFETY.**

DRILLING:

Most Westin products do not require drilling for installation. If drilling is defined as required, use caution when drilling a vehicle. **FAILURE TO REVIEW AN AREA TO BE DRILLED MAY RESULT IN PERSONAL INJURY AND/OR INJURY TO OTHERS AS WELL AS VEHICLE DAMAGE.**

EYE PROTECTION:

ALWAYS WEAR SAFETY GLASSES OR GOGGLES DURING THE INSTALLATION PROCESS TO AVOID PERSONAL INJURY.

MAXIMUM TOWING/CARRYING CAPACITY:

The Westin Receiver Hitches will have a visible tow rating label affixed directly on the product. User should never exceed the vehicle manufacturers maximum tow and weight rating regardless of the capacity of the hitch. **FAILURE TO FOLLOW THESE GUIDELINES WILL VOID THE WESTIN WARRANTY AND MAY RESULT IN PERSONAL INJURY AND/OR INJURY TO OTHERS AS WELL AS VEHICLE DAMAGE.**



Westin Automotive Products, Inc.
320 W. Covina Blvd
San Dimas, Ca. 91773