

INSTALLATION INSTRUCTIONS



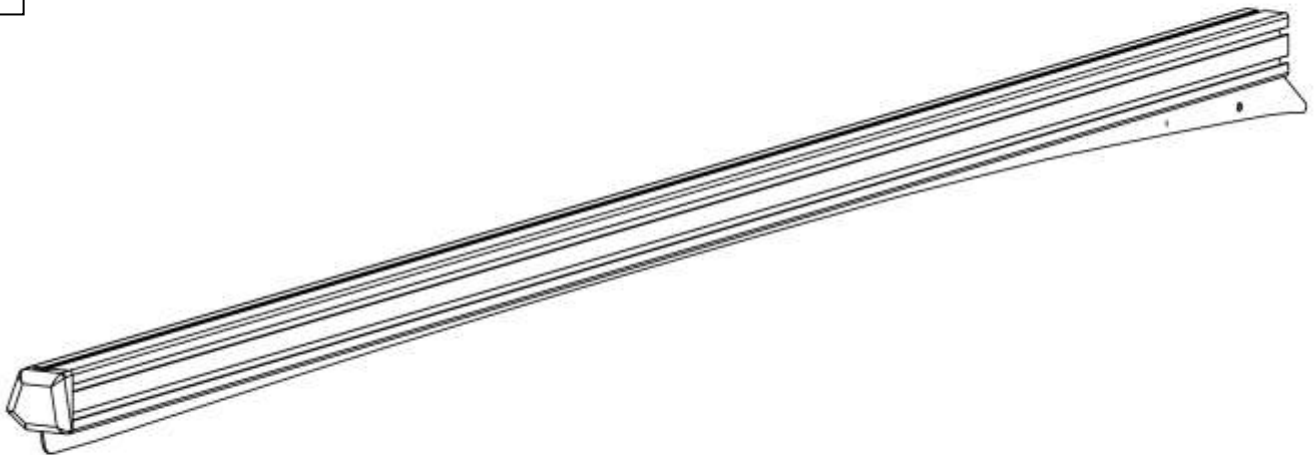
**MESA ROOF RACK
APPLICATION:
2010-2023 Toyota 4Runner
PART NUMBER:
15-00005A
15-00005B**

**Kit Number
15-00005**

CONTENT			
ITEM	QUANTITY	DESCRIPTION	TOOLS NEEDED
1	1	DRIVER RACK RAIL	ALLEN WRENCH
2	1	PASSENGER RACK RAIL	RATCHET
3	4	CROSS RAIL	10MM SOCKET
4	1	VISOR	10MM WRENCH
5	1	VISOR COVER	
6	1	FRONT MOUNT DRIVER BRACKET	
7	1	FRONT MOUNT PASSENGER BRACKET	
8	1	REAR MOUNT DRIVER BRACKET	
9	1	REAR MOUNT PASSENGER BRACKET	
10	2	FRONT SUPPORT BRACKET	
11	8	CROSS RAIL BRACKET	
12	4	SPACER BLOCK MOUNT BRACKET	
13	2	DOUBLE SIDED TAPE	
14	4	ONE SIDED TAPE	
15	62	M6 SLIDE NUT—12 EXTRAS FOR ACCESSORIES.	
16	69	M6 BUTTON HEAD SCREW—12 EXTRAS FOR ACCESSORIES.	
17	62	M6 SPLIT LOCK WASHER—12 EXTRAS FOR ACCESSORIES.	
18	69	M6 FLAT WASHER—12 EXTRAS FOR ACCESSORIES.	
19	7	M6 FLANGE HEX NUT	

ANTI-SEIZE LUBRICANT MUST BE USED ON ALL STAINLESS STEEL FASTENERS TO PREVENT THREAD DAMAGE AND GALLING

ITEM 1



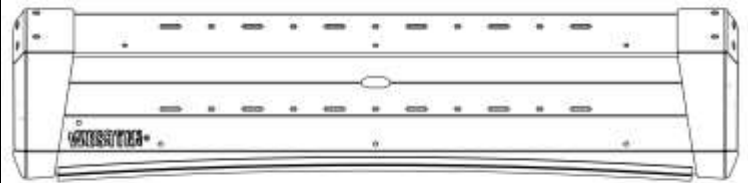
ITEM 2



ITEM 3



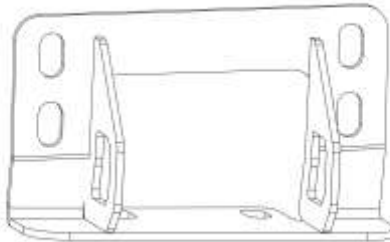
ITEM 4



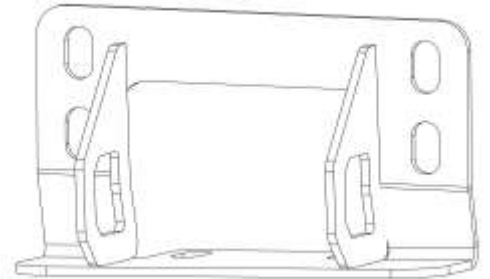
ITEM 5



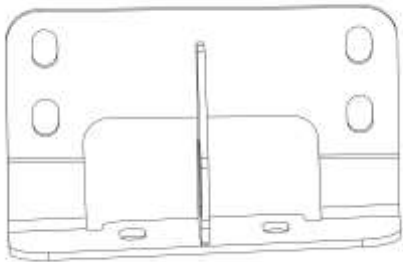
ITEM 6



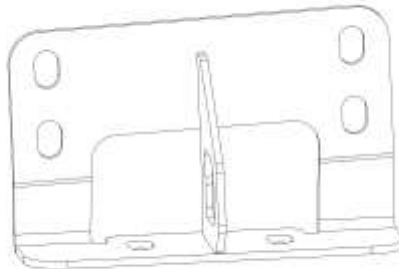
ITEM 7



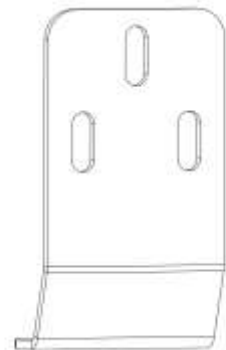
ITEM 8



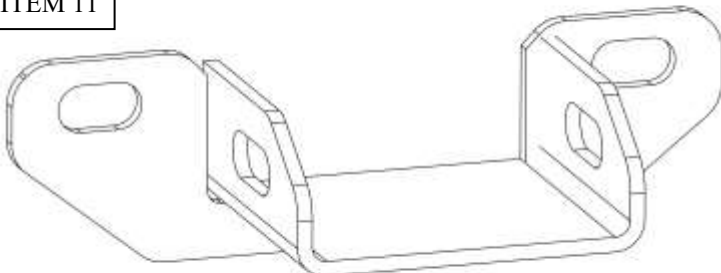
ITEM 9



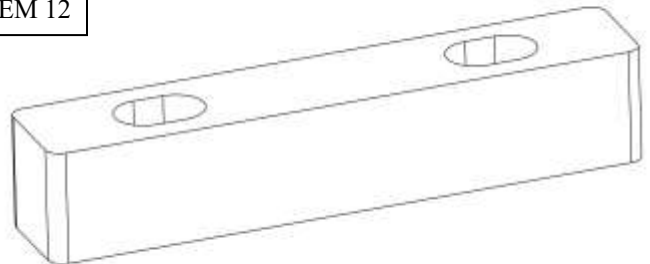
ITEM 10



ITEM 11



ITEM 12



Westin Automotive Products, Inc.
320 W. Covina Blvd
San Dimas, Ca. 91773

Thank you for choosing Westin products
for additional installation assistance please call
Customer Service (800) 793-7846

www.westinautomotive.com

DATE: 04/24/2023

PROCEDURE

1. Remove contents from box, verify if all parts listed are present and free from damage. Carefully read and understand all instructions before attempting installation.
Failure to identify damage before installation could lead to a rejection of any claim.
2. Using a pry bar open the plastic casing holding two bolts. See **Figure 1** for reference.
3. Repeat **Step 2** and remove the bolts. See **Figure 2** for reference. **NOTE:** Hold onto the OE bolts since they will be used.

Figure 1



Figure 2



WESTIN

Westin Automotive Products, Inc.
320 W. Covina Blvd
San Dimas, Ca. 91773

Thank you for choosing Westin products
for additional installation assistance please call
Customer Service (800) 793-7846

www.westinautomotive.com

4. Locate the (4) One Sided Tape (**Item 14**) and attach them to the (4) Spacer Block Mount Bracket (**Item 12**). See **Figure 3** for reference.
5. Place the (4) Space Block Mount Bracket (**Item 12**) into the spaced that were left behind when the OEM roof rack was take off. See **Figure 4** for reference.

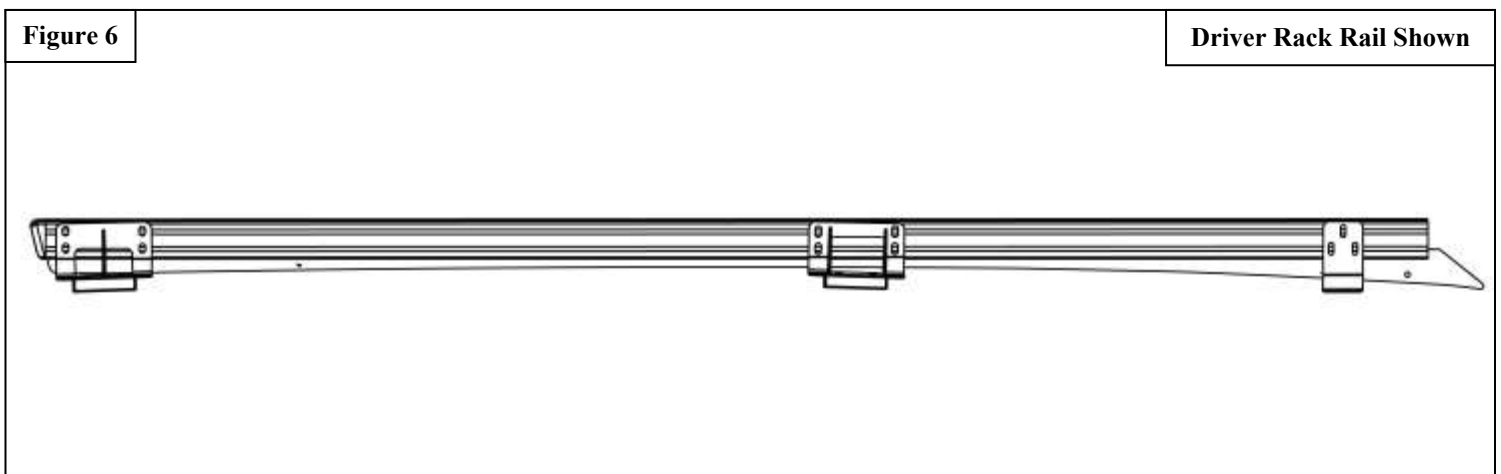
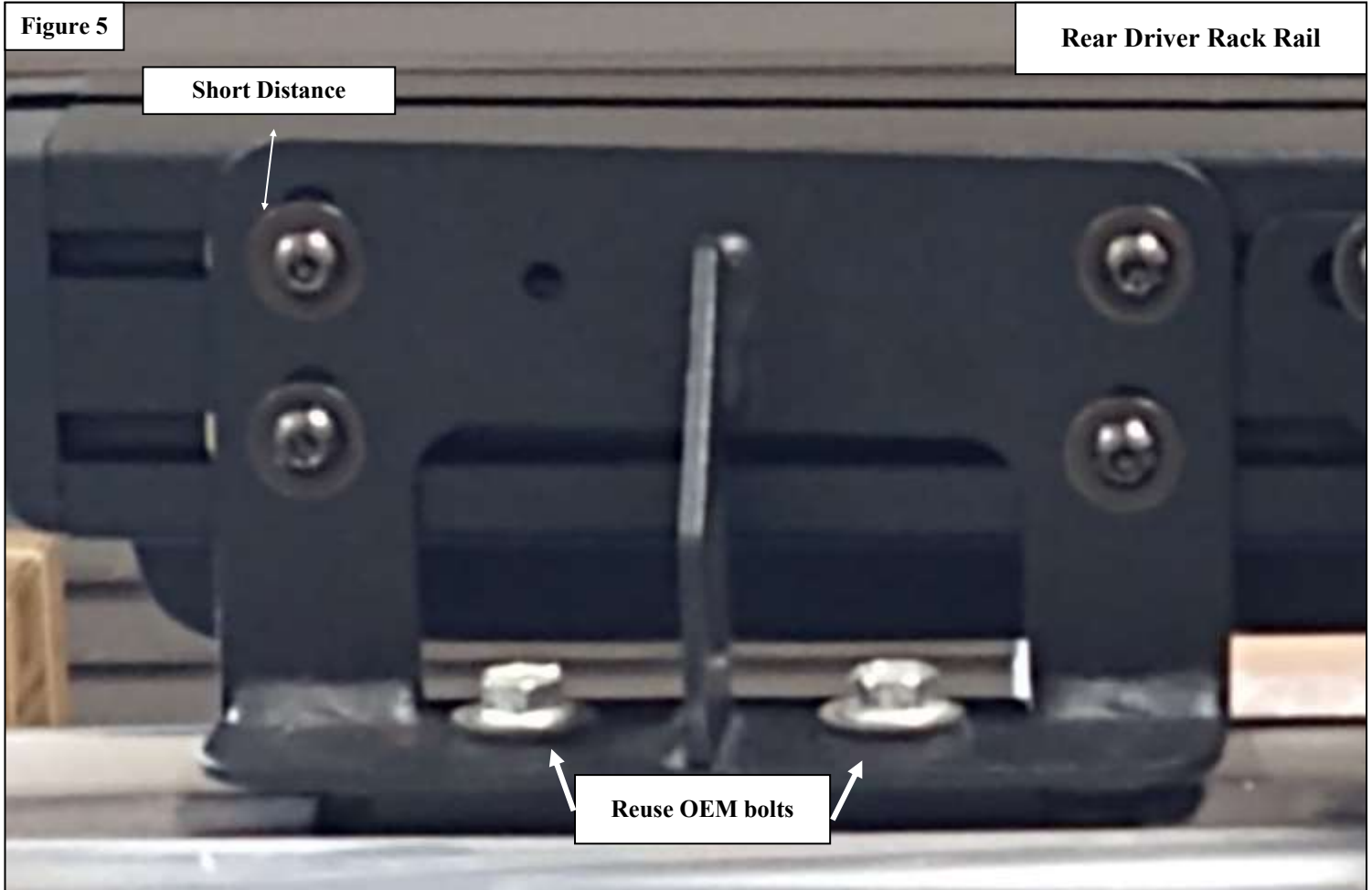
Figure 3



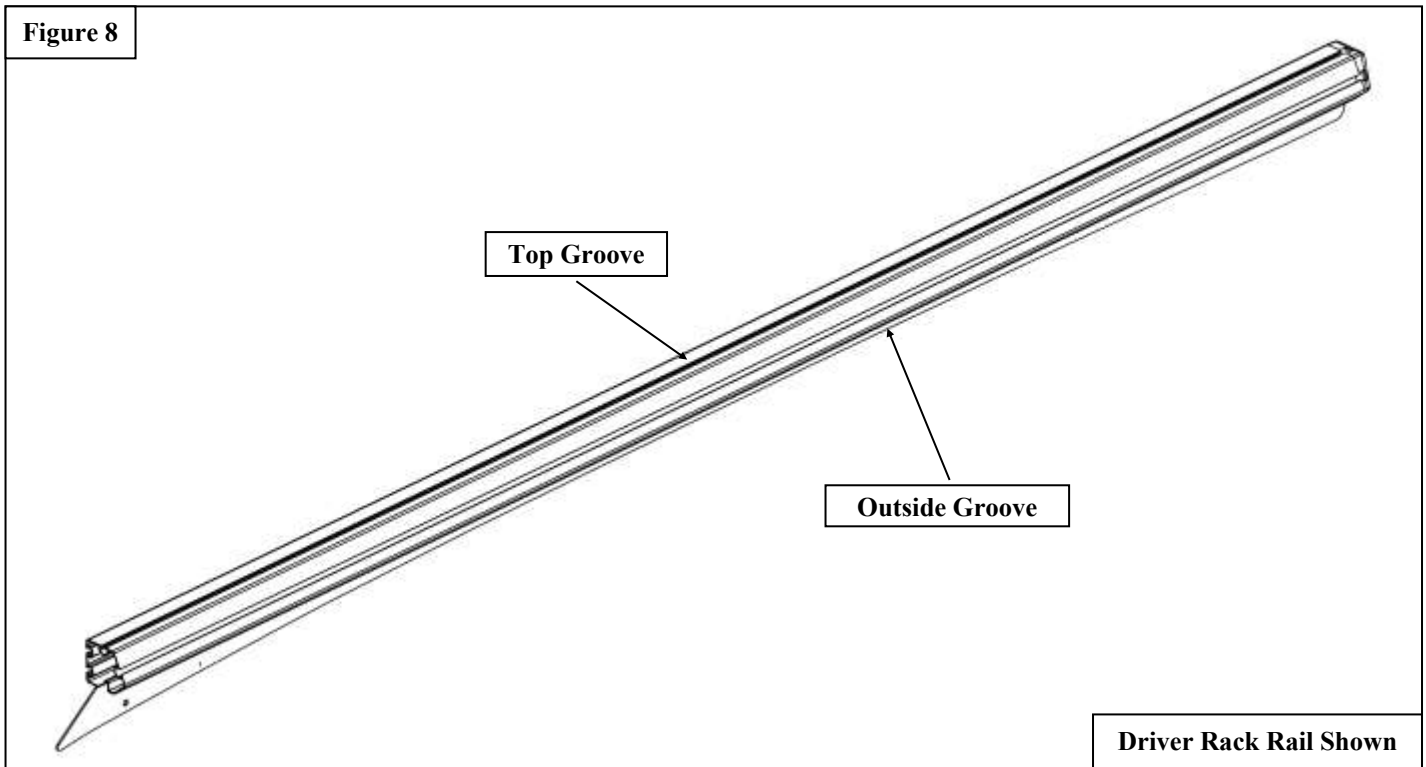
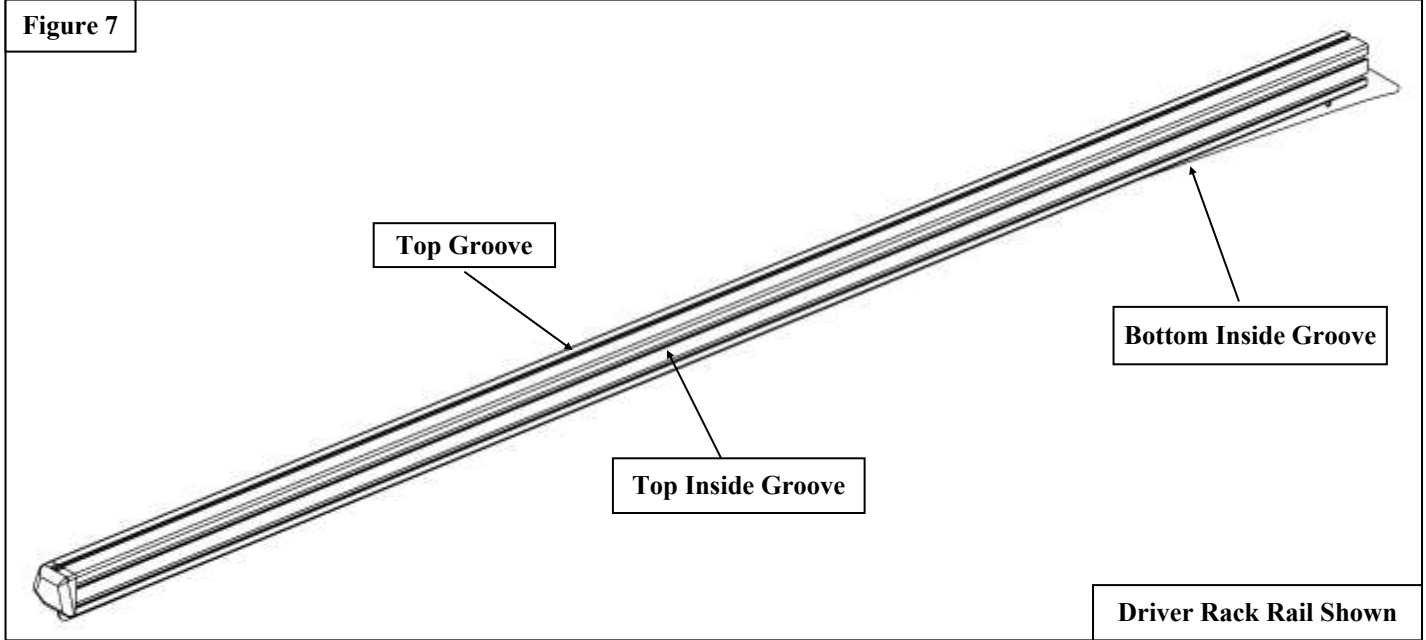
Figure 4



6. Using the OE bolts that were removed from **Step 2** attach the Front Mount Driver Bracket (**Item 6**) and Rear Mount Driver Bracket (**Item 8**). See **Figure 5** for reference and **Figure 6** on the bracket placements. **NOTE:** *The Rear Mount Driver Bracket has a short distance on the left side indicating it to belong to the driver side. The Front Mount Driver Bracket has a short distance on the right side indicating it to belong to the driver side.*
7. Using the OE bolts that were removed from **Step 2** attach the Front Mount Passenger Bracket (**Item 7**) and Rear Mount Passenger Bracket (**Item 9**).. **NOTE:** *The Rear Mount Driver Bracket has a short distance on the right side indicating it to belong to the passenger side. The Front Mount Driver Bracket has a short distance on the left side indicating it to belong to the passenger side.*

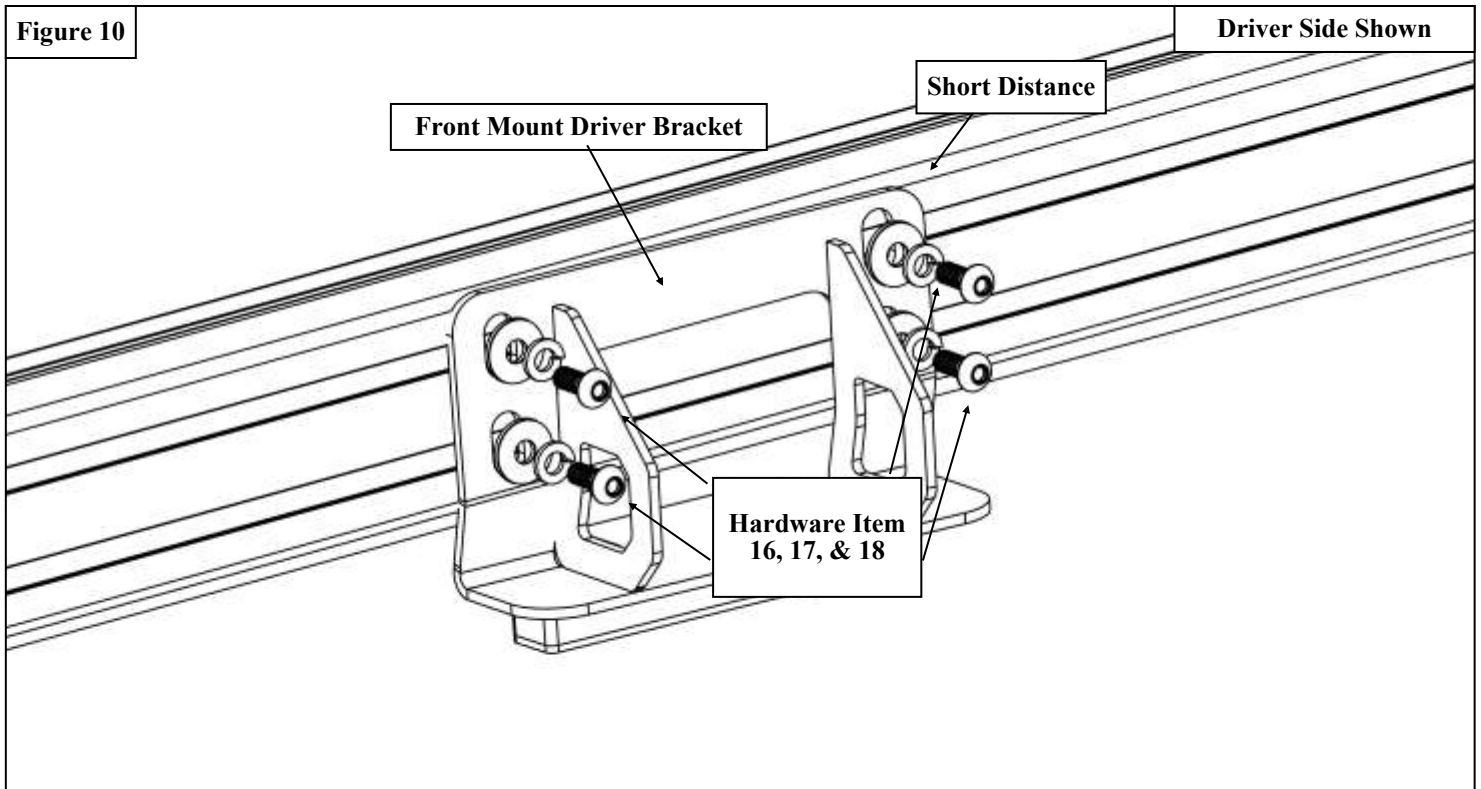
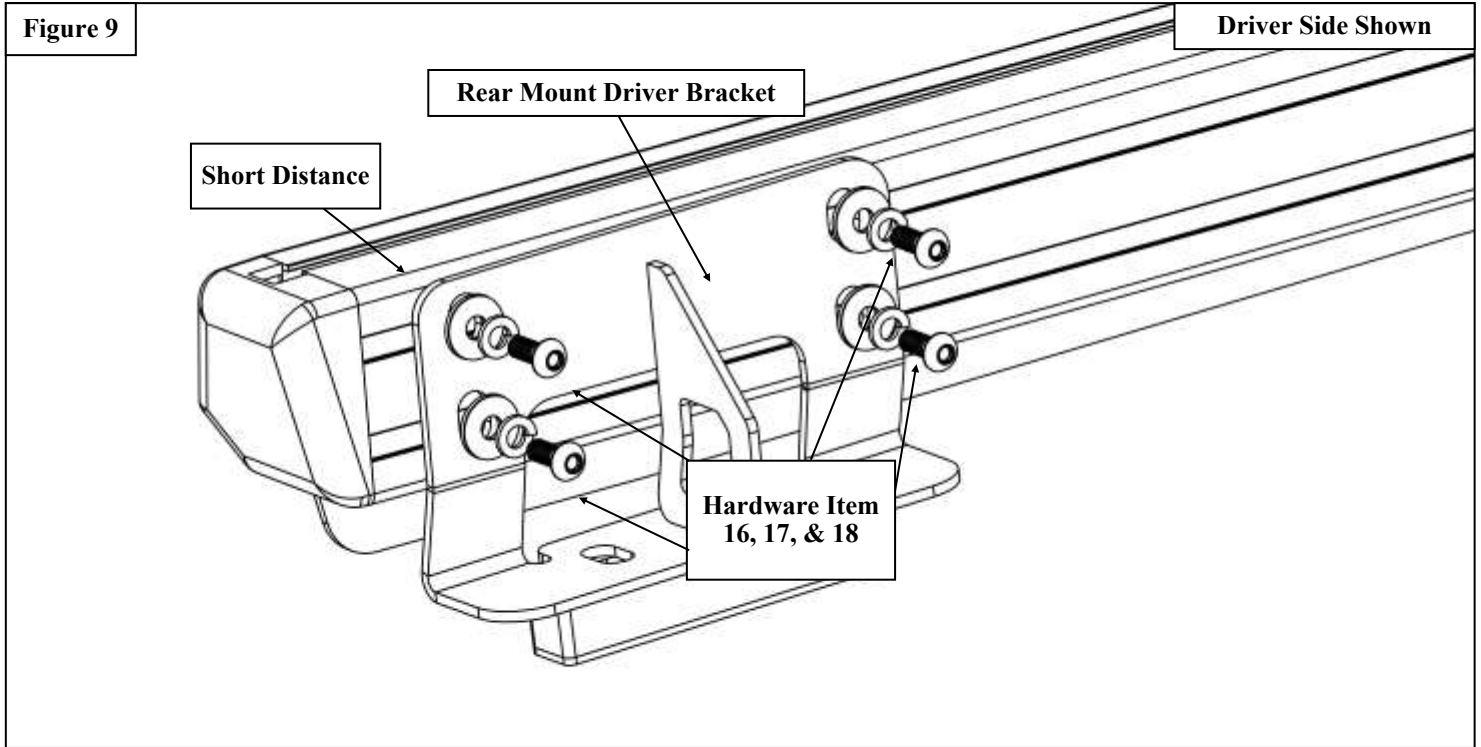


8. In the hardware provided locate the Slide Nuts (**Item 16**).
9. Slide 6 Slide Nuts (**Item 16**) in the bottom inside groove and 13 Slide Nuts (**Item 16**) in the top inside groove in the Driver Rack Rail (**Item 1**). See **Figure 7** for reference.
10. Slide 2 Slide Nuts (**Item 16**) on the top groove. See **Figure 8** for reference.
11. Slide 2 Slide Nuts (**Item 16**) on the outside groove in the Driver Rack Rail (**Item 1**). See **Figure 8** for reference.
12. Repeat **Steps 8-9** on the passenger side.



12. Using the hardware provided loosely attach the Driver Rack Rail (**Item 1**) to the Front Mount Driver Bracket (**Item 6**) and Rear Mount Driver Bracket (**Items 8**). See **Figures 9 & 10** for reference. **NOTE:** Be sure to leave 4 slide nuts in between the Front and Rear Mount Driver Bracket.

13. Repeat **Step 12** for the passenger side.



Westin Automotive Products, Inc.
320 W. Covina Blvd
San Dimas, Ca. 91773

Thank you for choosing Westin products
for additional installation assistance please call
Customer Service (800) 793-7846

www.westinautomotive.com

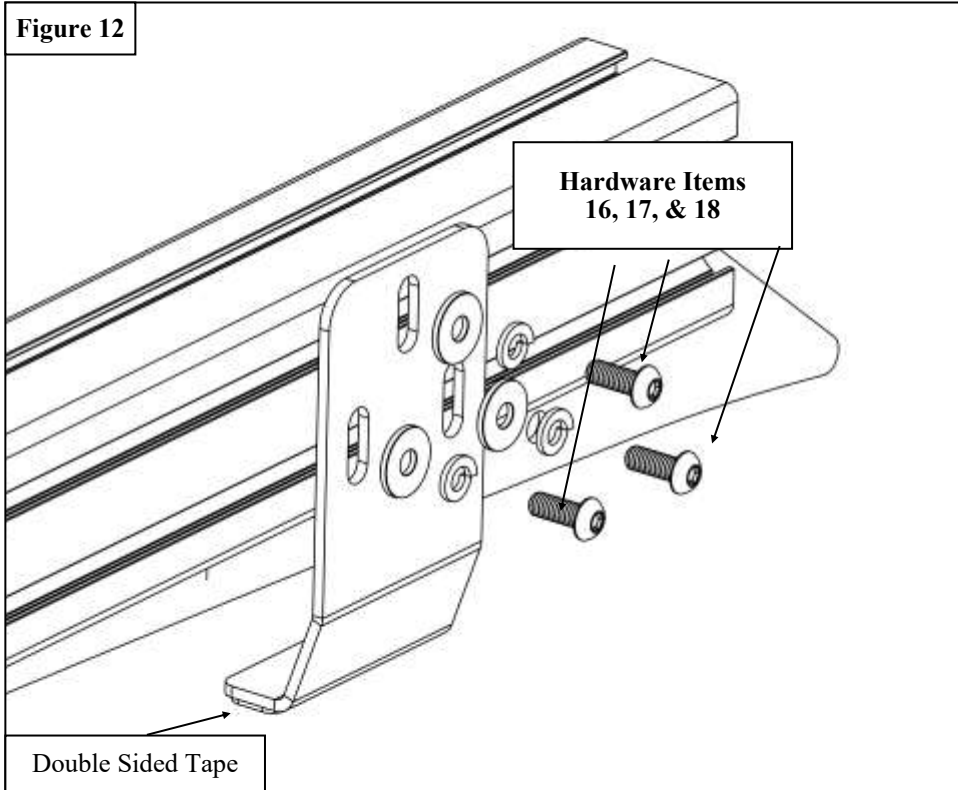
DATE: 04/24/2023

14. Locate and place both Double Sided Tape (**Item 13**) onto the bottom of both Front Support Bracket (**Item 10**).
15. Using the hardware provided loosely attach the Front Support Bracket (**Item 10**) to Passenger and Driver Rack Rail.
See **Figure 12** for reference.

Figure 11



Figure 12



17. Using the hardware provided, locate and loosely install the Cross Rail Bracket (**Item 11**). See **Figure 13** for reference.
18. Insert (2) M6 Slide Nuts (**Item 15**) on the side grooves of all the Cross Rails (**Item 3**).
19. Using the hardware provided loosely attach the Cross Rails (**Item 3**) to the Cross Rail Bracket (**Item 11**). See **Figure 14** for reference.

Figure 13

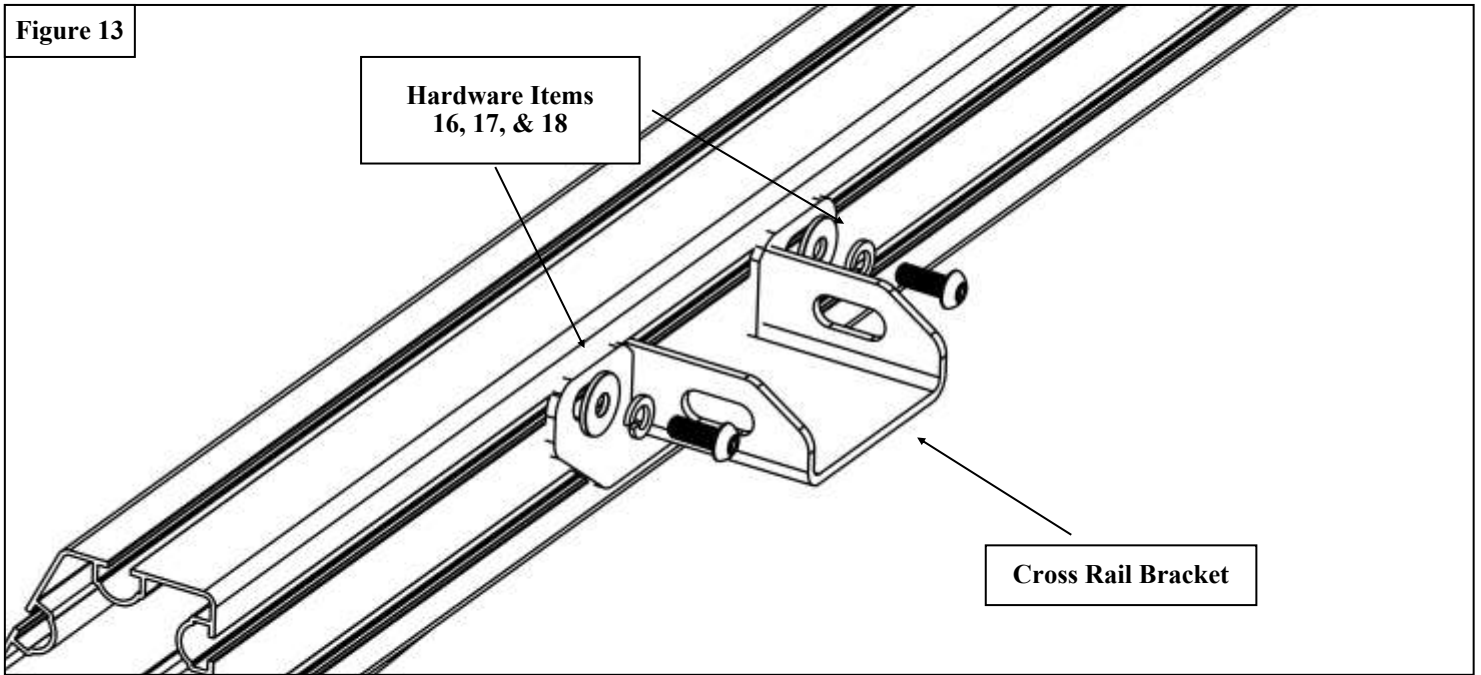
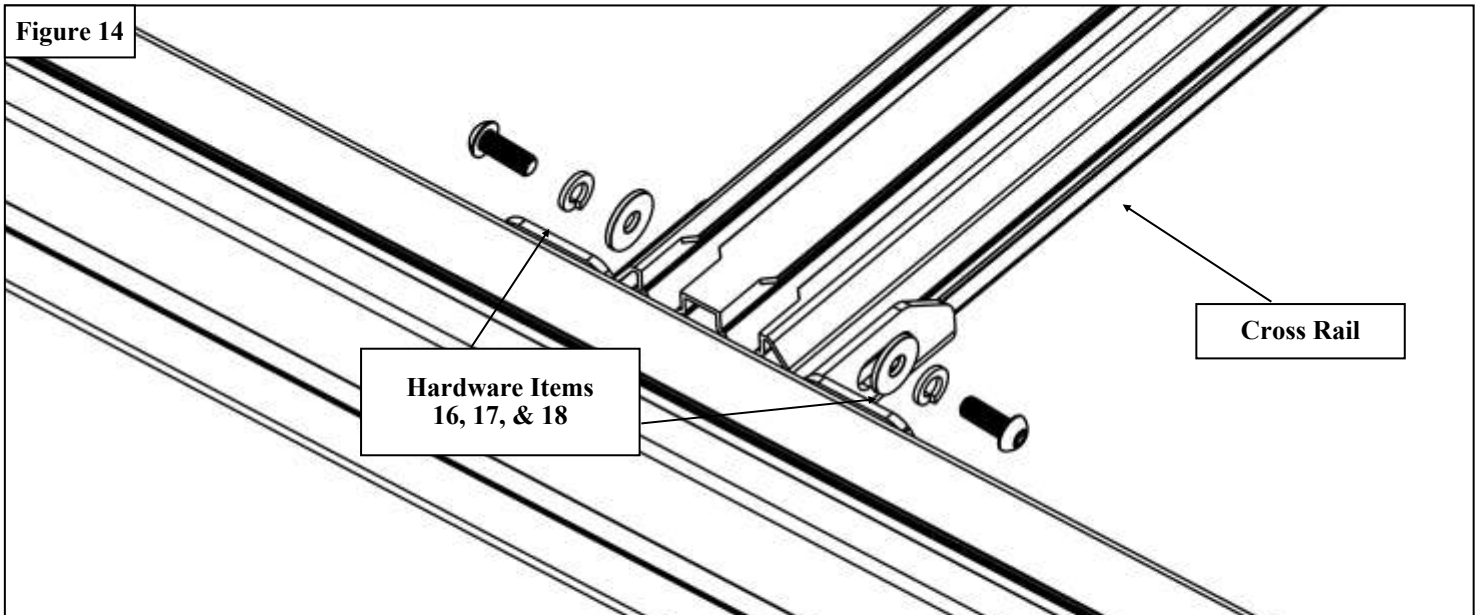
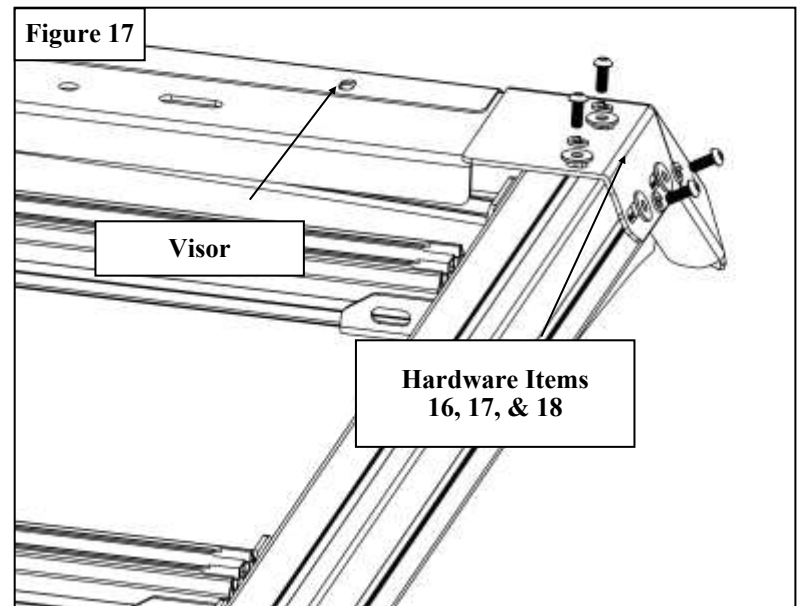
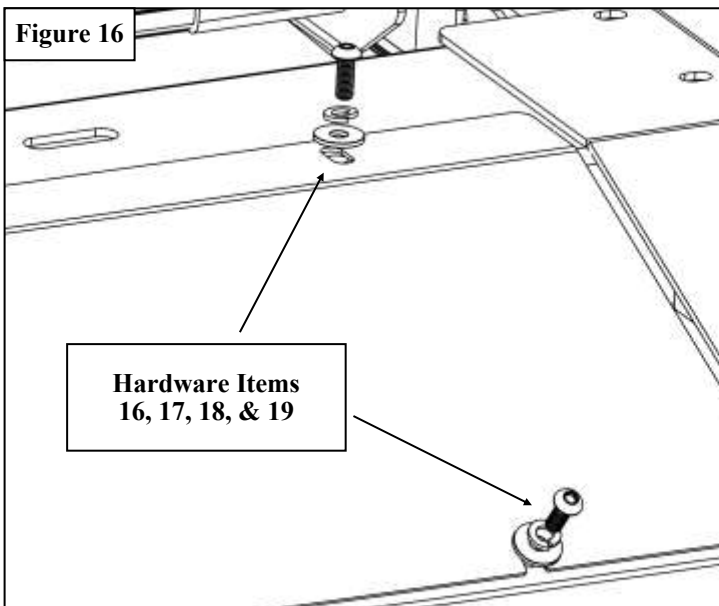
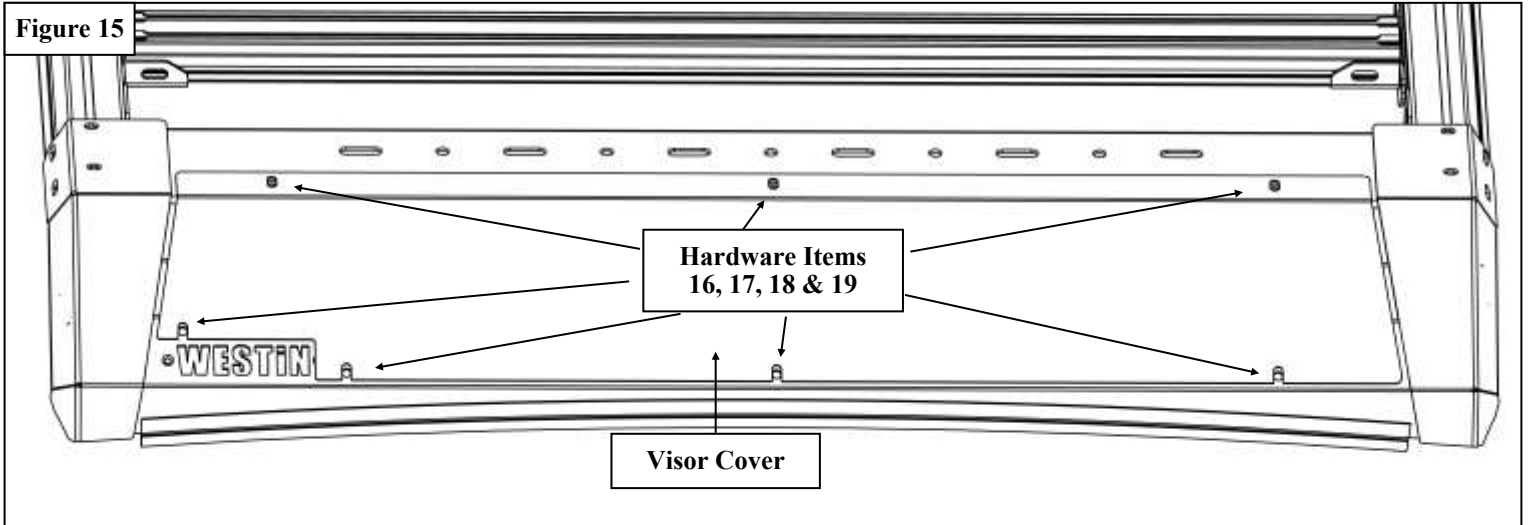


Figure 14



20. Using the provided hardware attach the Visor Cover (**Item 5**) to the Visor (**Item 4**) before installing it to the Rack Rails (**Items 1 & 2**). See **Figure 15 & 16** for reference. **NOTE:** If you are installing lights onto the Visor, The Visor Cover will not be needed.
21. Using the hardware provided, locate and loosely install the Visor (**Item 4**) to the Rack Rails (**Item 1 & 2**). Push the visor to the rear direction until it touch the rails. See **Figure 17** for reference.
22. Once the rails and the visor are installed together. Adjust them until the visor rubber trim barely touch the roof body.



14. Tighten the Rear Mount Driver and Passenger Bracket (**Item 8 & 9**) to the desired height.
15. Peel the bottom layer of the Double Sided Tape and place it on the driver and passenger side of the vehicle. See **Figures 11, 12 & 18** for reference on the placement of the Double Sided Tape/Front Support Bracket.
22. When tightening the Front Support Bracket (**Item 10**), pull up the rack rail but make sure not to pull off the Front Support Bracket (**Item 10**) from the passenger and driver side of the vehicle. See **Figure 18** for reference.
23. When tightening the Front Mount Driver Bracket (**Item 6**) and Front Mount Passenger Bracket (**Item 7**) push down with force to keep both Driver Rack Rail (**Item 1**) and Passenger Rack Rail (**Item 2**) from flopping up and down as the vehicle is moving. See **Figure 19** for reference.
24. Align and adjust the Mesa Roof Rack and Mounting Brackets as necessary. Fully tighten and torque all hardware as specified: M6 hardware to 5-7 ft-lbs.

Figure 18

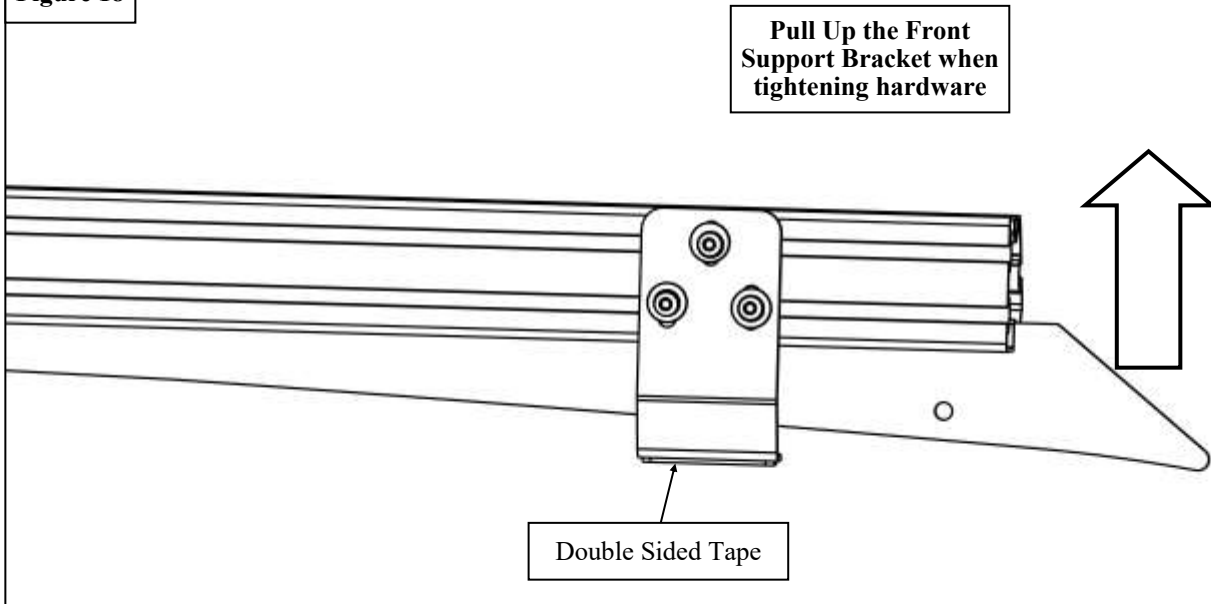
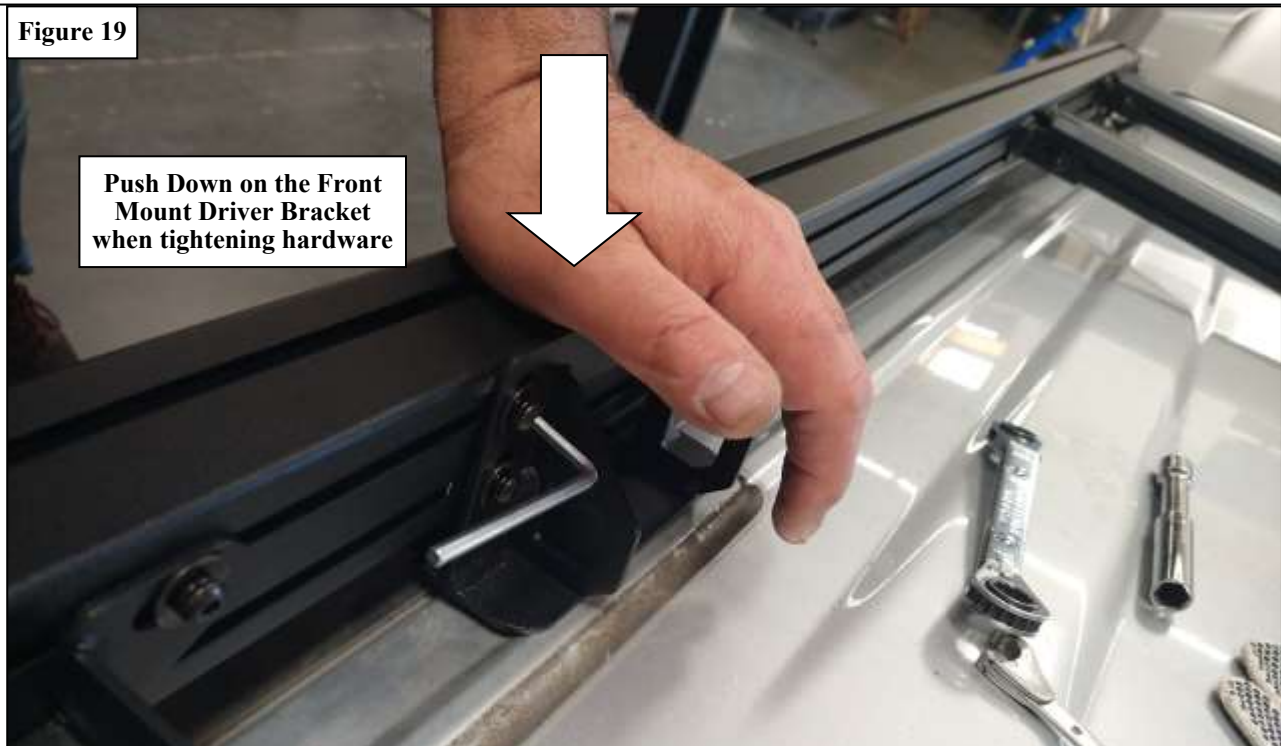


Figure 19



INSTALLATION COMPLETE



CARE INSTRUCTIONS

- REGULAR WAXING IS RECOMMENDED. DO NOT USE ANY TYPE OF POLISH OR WAX THAT MAY CONTAIN ABRASIVES.
- STAINLESS STEEL PRODUCTS CAN BE CLEANED WITH MILD SOAP AND WATER. STAINLESS STEEL POLISH SHOULD BE USED TO POLISH SMALL SCRATCHES.
- GLOSS BLACK FINISHES SHOULD BE CLEANED WITH MILD SOAP AND WATER.

WESTIN

Westin Automotive Products, Inc.
320 W. Covina Blvd
San Dimas, Ca. 91773

Thank you for choosing Westin products
for additional installation assistance please call
Customer Service (800) 793-7846

www.westinautomotive.com



WARNING



Failure to follow these instructions could lead to death, personal injury, and / or property damage.

Failure to follow these instructions could lead to death, personal injury, and / or property damage.

FASTENERS:

All Westin supplied fasteners must be utilized and installed in accordance with the installation instructions and apply torque to the specifications as defined. **DOUBLE CHECK ALL FASTENERS BEFORE INITIAL USE, AND PERIODICALLY IN THE FUTURE TO ENSURE PROPER FUNCTION AND SAFETY.**

DRILLING:

Most Westin products do not require drilling for installation. If drilling is defined as required, use caution when drilling a vehicle. **FAILURE TO REVIEW AN AREA TO BE DRILLED MAY RESULT IN PERSONAL INJURY AND/OR INJURY TO OTHERS AS WELL AS VEHICLE DAMAGE.**

EYE PROTECTION:

ALWAYS WEAR SAFETY GLASSES OR GOGGLES DURING THE INSTALLATION PROCESS TO AVOID PERSONAL INJURY.

MAXIMUM TOWING/CARRYING CAPACITY: (if applicable)

The Westin Receiver Hitches will have a visible tow rating label affixed directly on the product. User should never exceed the vehicle manufacturers maximum tow and weight rating regardless of the capacity of the hitch. **FAILURE TO FOLLOW THESE GUIDELINES WILL VOID THE WESTIN WARRANTY AND MAY RESULT IN PERSONAL INJURY AND/OR INJURY TO OTHERS AS WELL AS VEHICLE DAMAGE.**

FOR CALIFORNIA RESIDENTS ONLY-PROP 65 WARNING:

Some products may contain chemicals such as DEHP, which can cause cancer, birth defects or other reproductive harm. For more info go to www.p65warnings.ca.gov



Westin Automotive Products, Inc.
320 W. Covina Blvd
San Dimas, Ca. 91773