

INSTALLATION INSTRUCTIONS

MESA ROOF RACK

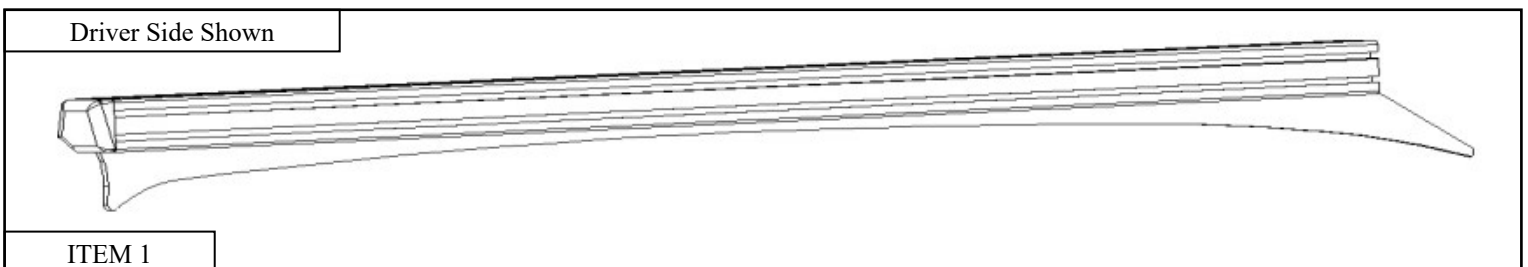


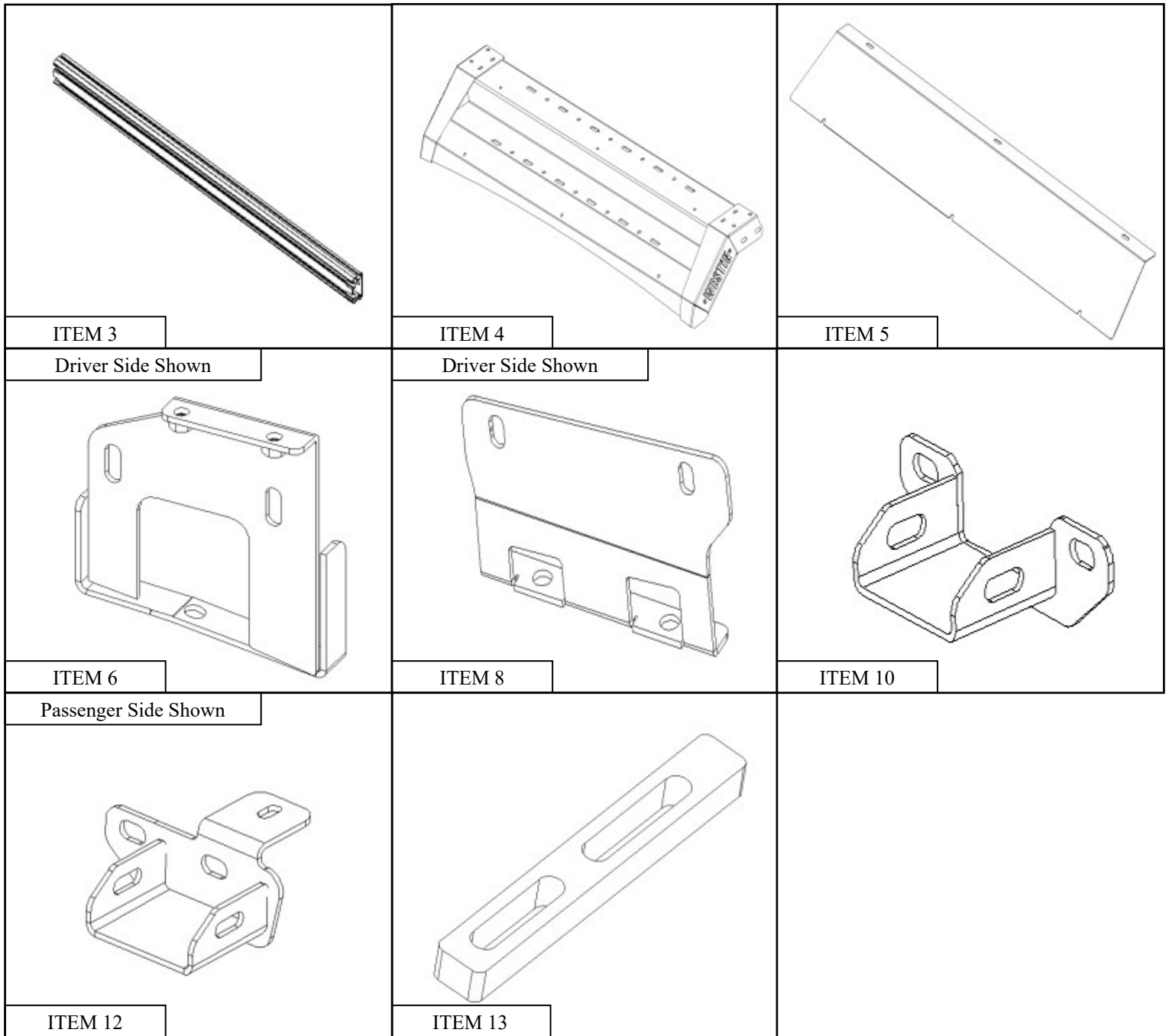
APPLICATION:
Toyota Tacoma Crew Cab 2016–2023

PART NUMBER:
15-00045

CONTENT			
ITEM	QUANTITY	DESCRIPTION	TOOLS NEEDED
1	1	DRIVER SIDE RACK RAIL	10MM SOCKET
2	1	PASSENGER SIDE RACK RAIL	10MM WRENCH
3	5	CROSS BAR RAIL	4MM ALLEN KEY
4	1	VISOR	RATCHET
5	1	VISOR COVER	
6	1	DRIVER SIDE FRONT RAIL SUPPORT BRACKET	
7	1	PASSENGER SIDE FRONT RAIL SUPPORT BRACKET	
8	1	DRIVER SIDE REAR RAIL SUPPORT BRACKET	
9	1	PASSENGER SIDE REAR RAIL SUPPORT BRACKET	
10	8	CROSS RAIL BRACKET	
11	1	DRIVER SIDE REAR CROSS RAIL BRACKET	
12	1	PASSENGER SIDE REAR CROSS RAIL BRACKET	
13	4	SPACERS	
14	4	FOAM GASKETS	
15	54	M6 SLIDE NUT	
16	8	M6 BUTTON HEAD SCREW (LONG)	
17	65	M6 BUTTON HEAD SCREW (SHORT)	
18	73	M6 SPLIT LOCK WASHER	
19	73	M6 FLAT WASHER	
20	7	M6 FLANGE HEX NUT	

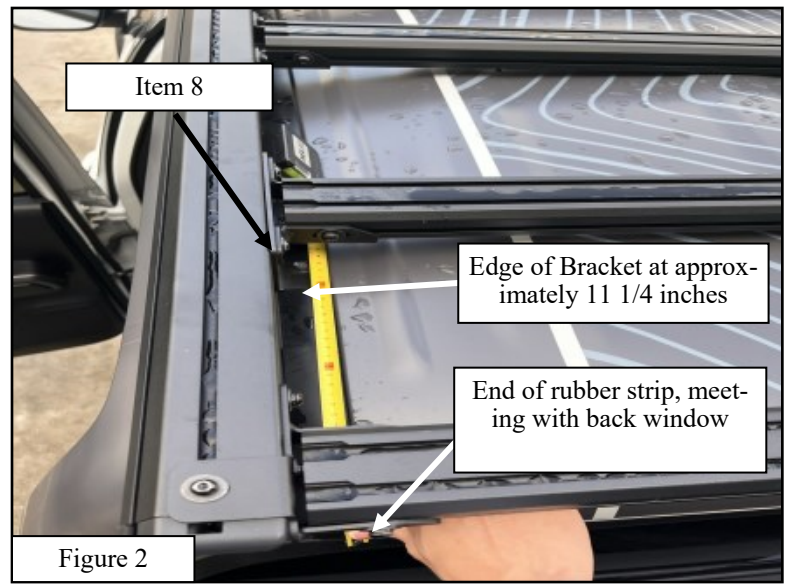
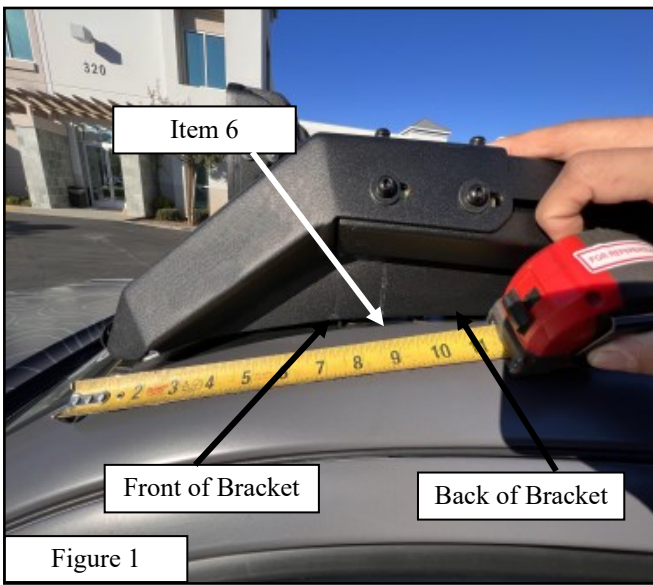
ANTI-SEIZE LUBRICANT MUST BE USED ON ALL STAINLESS STEEL FASTENERS TO PREVENT THREAD DAMAGE AND GALLING



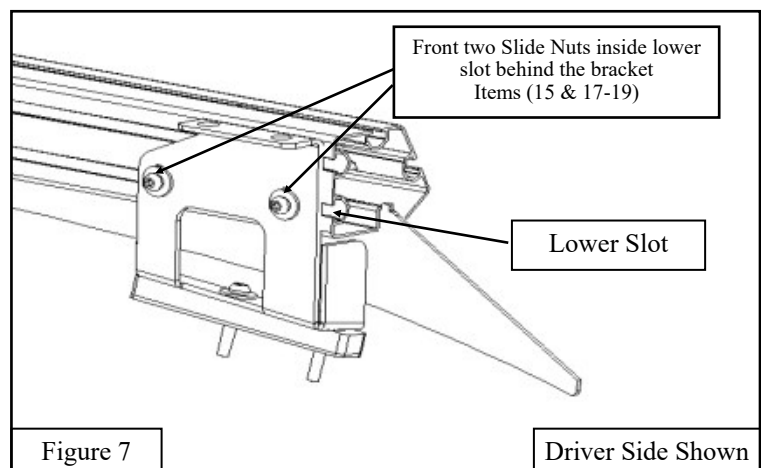
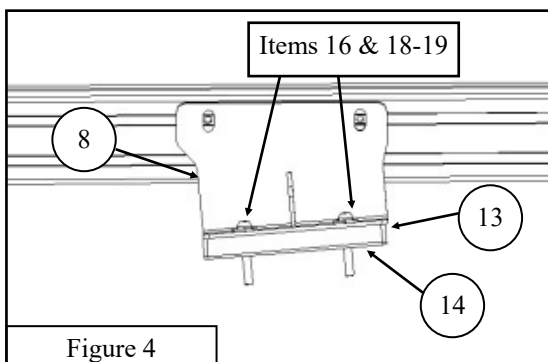
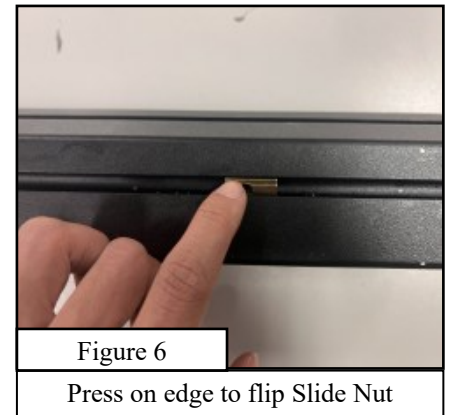
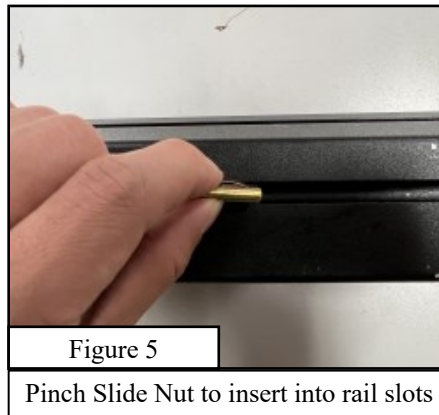
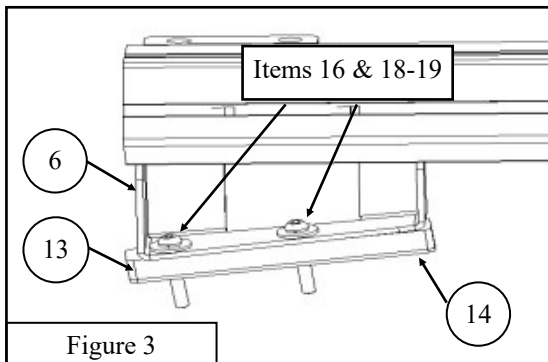


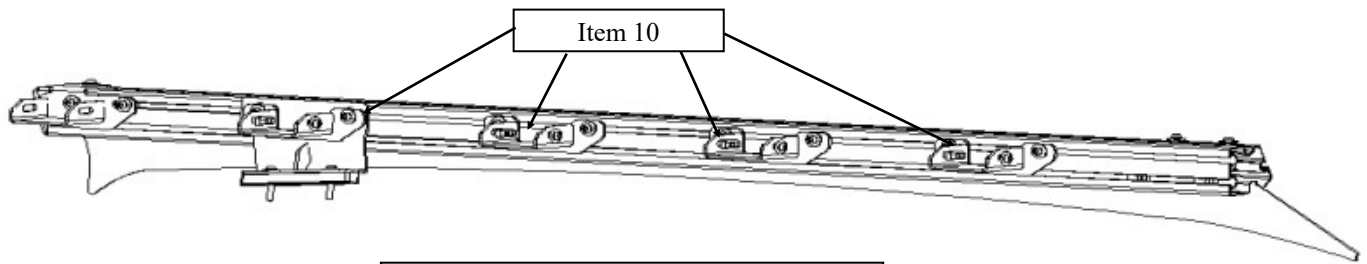
PROCEDURE

1. Remove contents from box, verify if all parts listed are present and free from damage. Carefully read and understand all instructions before attempting installation.
Failure to identify damage before installation could lead to a rejection of any claim.
2. Begin by trimming roof rubber strips on the roof to expose mounting holes. To locate the front mounting location, begin measuring from the front of the rubber strip to approximately 7 1/4 inches and make a cut. Leave approximately 5 1/4 inch gap and make another cut. See **Figure 1** for reference.
3. To locate the rear mounting location, begin measuring from the back of the rubber strip where it meets the window to approximately 11 1/4 inches and make a cut. Leave a 5 1/4 inch gap and make another cut. See **Figure 2** for reference.



4. Starting on the driver side, use the provided M6 hardware (Items 16 & 18-19) to loosely secure the Driver Side Front Rail Support Bracket (Item 6) and Driver Side Rear Rail Support Bracket (Item 8) to the mounting holes from Steps 2 & 3.
Note: Use provided foam gaskets and spacers under each brackets. See **Figure 3 & 4** for reference.
5. Locate Driver Side Rack Rail (Item 1). Loosely secure it to Driver Side Front Rail Support (Item 6) and Driver Side Rail Support Bracket (Item 8) using provided M6 Slide Nuts (Item 15) and M6 hardware (Items 17-19). Insert Slide Nuts into (Item 1) and match it behind respective brackets to secure it. See **Figures 5 - 7** for reference.
6. Repeat steps 4 & 5 for passenger side with **(Items 2 & 7 & 9)**.





M6 hardware used to attach item 10 into Slide Nuts in upper slot. Items (15 & 17-19)

Figure 8

Driver Side Shown

7. Locate 4 Cross Rail Brackets (Item 10), insert slide nuts into upper slot matching to each bracket and loosely secure them using provided M6 hardware (Items 15& 17-19). One of the Cross Rail Brackets will be attached onto the Driver Side Rail Bracket (Item 8). See **Figure 8** for reference.
8. Repeat Step 7 for passenger side. Use Passenger Side Rack Rail (Item 2) and the remaining four Cross Rail Bracket (Item 10).
9. Locate Driver Side Rear Cross Rail Bracket (Item 11) and loosely secure it to driver side rail with the two slide nuts in the back and insert one slide nut on the top surface. See **Figure 9** for reference. Use M6 hardware in this step (Items 15 & 17-19).
10. Repeat Step 9 with Passenger Side Rear Cross Rail Bracket (Item 12). Use M6 hardware in this step (Items 15& 17-19).
11. Locate 5 Cross Bar Rails (Item 3) and insert one Slide Nut (Item 15) into the slots on each side and loosely secure them to the Cross Rail Brackets (Item 10). See **Figure 10 & 11** for reference. Use M6 hardware in this step (Items 15& 17-19).
12. Once the Cross Bar Rails are attached, adjust their spacing to desired locations.

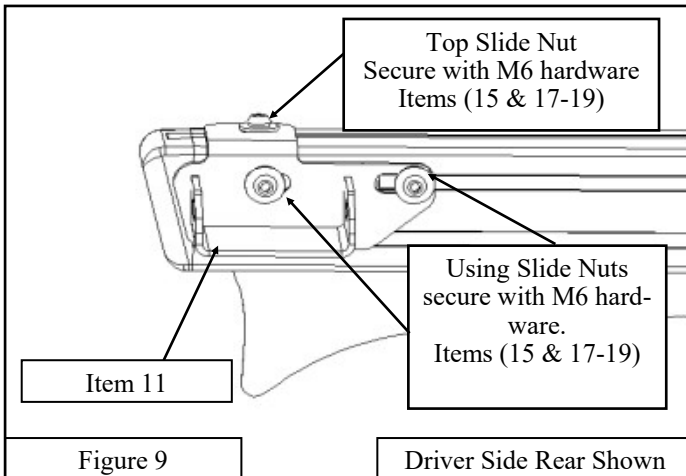


Figure 9

Driver Side Rear Shown

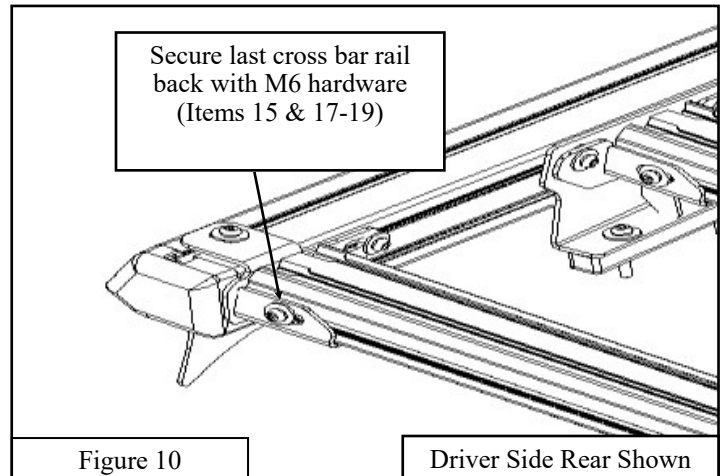


Figure 10

Driver Side Rear Shown

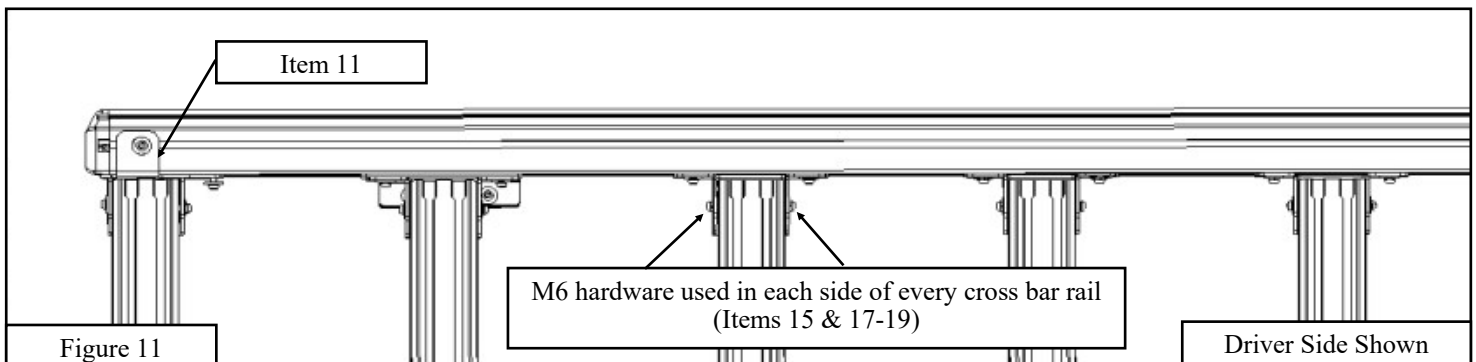
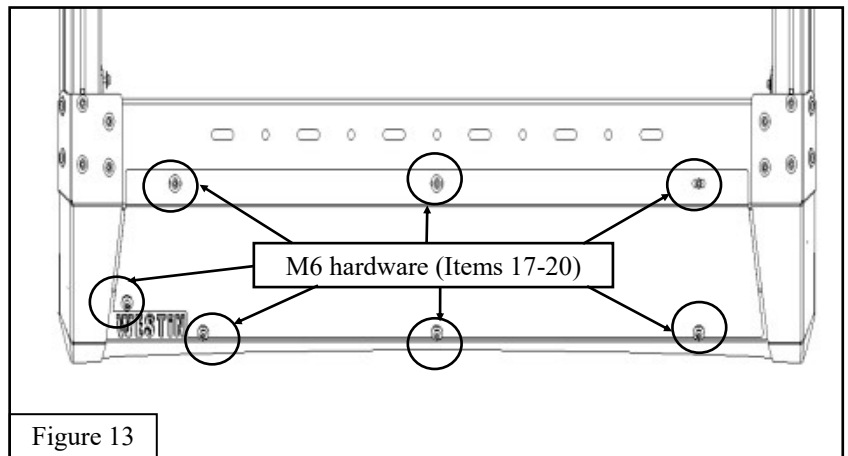
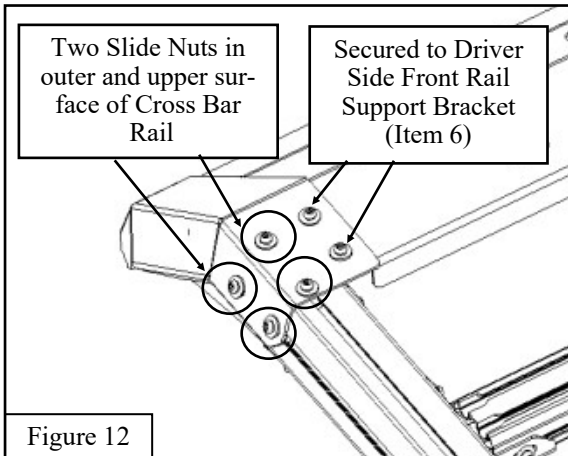


Figure 11

Driver Side Shown

13. Locate Visor (Item 4), align and loosely secure it to the Driver and Passenger Side Front Rail Support Bracket (Items 6 & 7). Four Slide Nuts (Item 15) need to be inserted in the Cross Bar Rail (Item 3): two in the upper surface, two in the outer surface. Use M6 hardware in this step (Items 17-19). See **Figure 12** for reference.
14. Locate Visor Cover (Item 5) and loosely secure it with M6 hardware (Items 17-20). See **Figure 13** for reference. **Note:** *If lights are used, the Visor cover will not be needed.*
15. Once everything is adjusted to desired locations, tighten all hardware as specified: M6 to 7 ft-lbs.



INSTALLATION COMPLETE



CARE INSTRUCTIONS

- REGULAR WAXING IS RECOMMENDED. DO NOT USE ANY TYPE OF POLISH OR WAX THAT MAY CONTAIN ABRASIVES.
- STAINLESS STEEL PRODUCTS CAN BE CLEANED WITH MILD SOAP AND WATER. STAINLESS STEEL POLISH SHOULD BE USED TO POLISH SMALL SCRATCHES.
- GLOSS BLACK FINISHES SHOULD BE CLEANED WITH MILD SOAP AND WATER.

WESTIN Westin Automotive Products, Inc.
320 W. Covina Blvd
San Dimas, Ca. 91773

Thank you for choosing Westin products
for additional installation assistance please call
Customer Service (800) 793-7846

www.westinautomotive.com

DATE: 11/16/2022



WARNING



Failure to follow these instructions could lead to death, personal injury, and / or property damage.

Failure to follow these instructions could lead to death, personal injury, and / or property damage.

FASTENERS:

All Westin supplied fasteners must be utilized and installed in accordance with the installation instructions and apply torque to the specifications as defined. **DOUBLE CHECK ALL FASTENERS BEFORE INITIAL USE, AND PERIODICALLY IN THE FUTURE TO ENSURE PROPER FUNCTION AND SAFETY.**

DRILLING:

Most Westin products do not require drilling for installation. If drilling is defined as required, use caution when drilling a vehicle. **FAILURE TO REVIEW AN AREA TO BE DRILLED MAY RESULT IN PERSONAL INJURY AND/OR INJURY TO OTHERS AS WELL AS VEHICLE DAMAGE.**

EYE PROTECTION:

ALWAYS WEAR SAFETY GLASSES OR GOGGLES DURING THE INSTALLATION PROCESS TO AVOID PERSONAL INJURY.

MAXIMUM TOWING/CARRYING CAPACITY: (if applicable)

The Westin Receiver Hitches will have a visible tow rating label affixed directly on the product. User should never exceed the vehicle manufacturers maximum tow and weight rating regardless of the capacity of the hitch. **FAILURE TO FOLLOW THESE GUIDELINES WILL VOID THE WESTIN WARRANTY AND MAY RESULT IN PERSONAL INJURY AND/OR INJURY TO OTHERS AS WELL AS VEHICLE DAMAGE.**

FOR CALIFORNIA RESIDENTS ONLY-PROP 65 WARNING:

Some products may contain chemicals such as DEHP, which can cause cancer, birth defects or other reproductive harm. For more info go to www.p65warnings.ca.gov



Westin Automotive Products, Inc.
320 W. Covina Blvd
San Dimas, Ca. 91773

Thank you for choosing Westin products
for additional installation assistance please call
Customer Service (800) 793-7846
www.westinautomotive.com