



AUTOMOTIVE PRODUCTS,

INSTALLATION INSTRUCTIONS

THRASHER BOARD

APPLICATION:

2015-2017 Ford F150 Super Cab / Super Crew
2017 Ford F250/350 Super Cab / Crew Cab

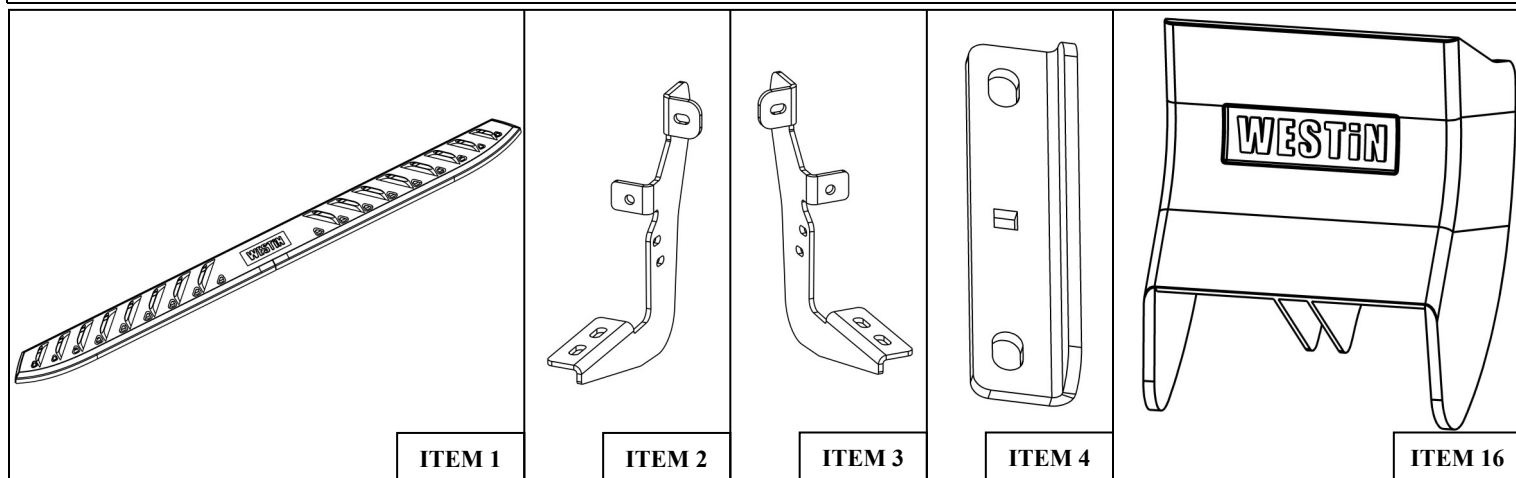
PART NUMBER:

28-81085, 28-81095

CONTENT			
ITEM	QUANTITY	DESCRIPTION	TOOLS NEEDED
1	2	STEP BAR ASSEMBLY	RATCHET
2	2 / 4 *	MOUNTING BRACKET A	TORQUE WRENCH
3	2	MOUNTING BRACKET B	10MM SOCKET
4	4 / 6*	UNIVERSAL BRACKET	13MM SOCKET
5	24 / 36*	M8 SPLIT LOCK WASHER (YELLOW ZINC)	
6	24 / 36*	M8 LARGE FLAT WASHER (YELLOW ZINC)	
7	24 / 36*	M8 HEX NUT (YELLOW ZINC)	
8	8 / 12*	M6 HEX HEAD CAP SCREW (YELLOW ZINC)	
9	16 / 24*	M6 FLAT WASHER (YELLOW ZINC)	
10	8 / 12*	M6 NYLON LOCK NUT (YELLOW ZINC)	
11	4 / 6*	M8 ROUND HEAD SQUARE NECK BOLT (BLACK ZINC)	
12	12 / 18*	M8 PLASTIC RETAINER	
13	4 / 6*	PLASTIC BRACKET COVER	
14	4 / 6*	M8 BOLT PLATE	

* SUPER CAB / SUPER CREW. NOTE: SUPER CAB HAS LESS HARDWARE AND BRACKETS.

ANTI-SEIZE LUBRICANT MUST BE USED ON ALL STAINLESS STEEL FASTENERS TO PREVENT THREAD DAMAGE AND GALLING



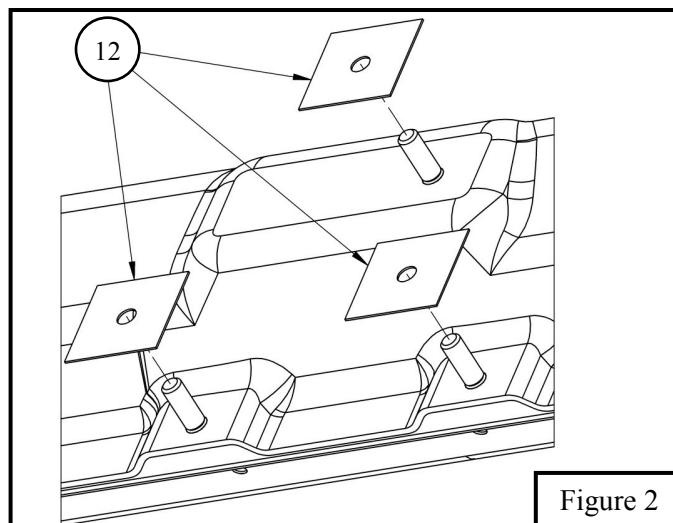
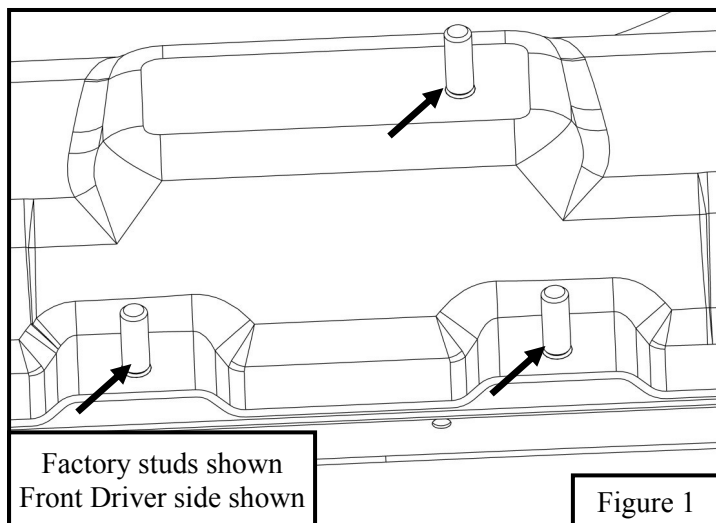
PROCEDURE

1. Remove contents from box, verify if all parts listed are present and free from damage.

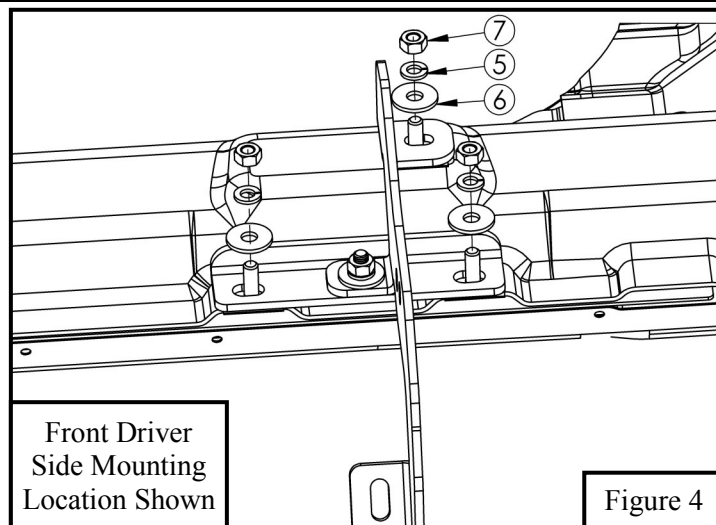
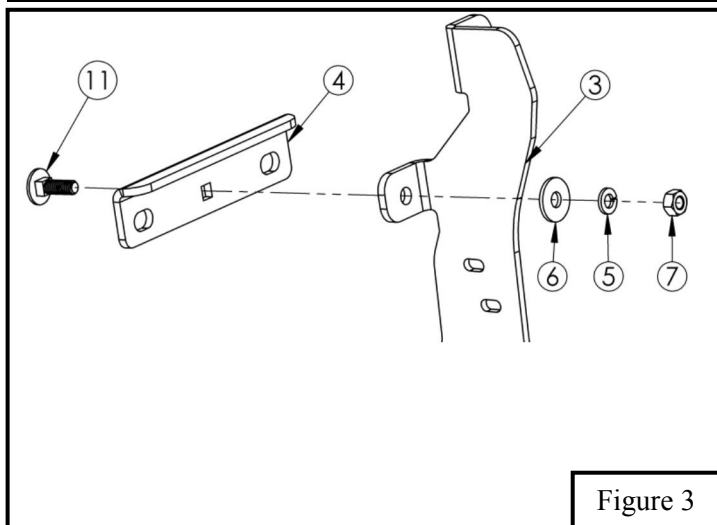
Carefully read and understand all instructions before attempting installation.

Failure to identify damage before installation could lead to a rejection of any claim.

2. Start installation on driver's side. On the rocker panel find locations of factory studs. In each location there should be 3 studs. (**Note:** Super Cab has two locations and Super Crew has three locations.) **See Figure 1.**
3. Insert (1) M8 Plastic Retainer (Item 15) on each factory stud. (**Note:** There will be 6 extra plastic retainers for the super cab model.) **See Figure 2.**



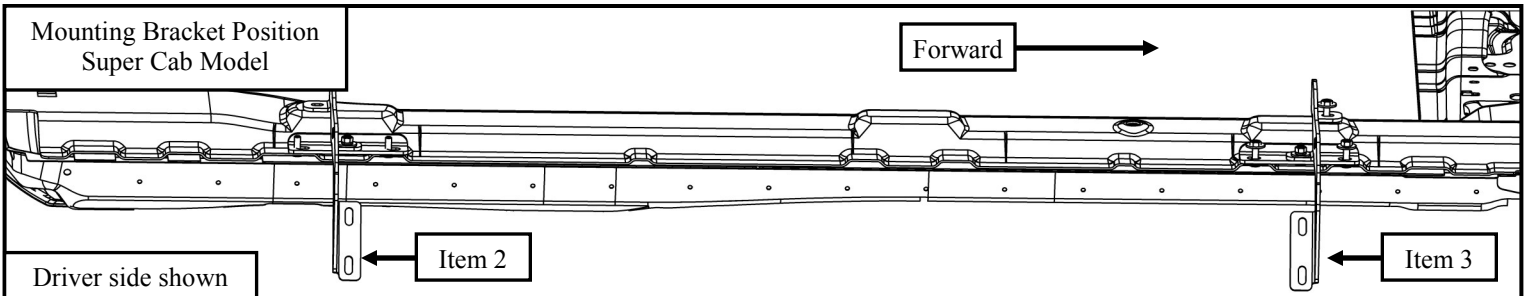
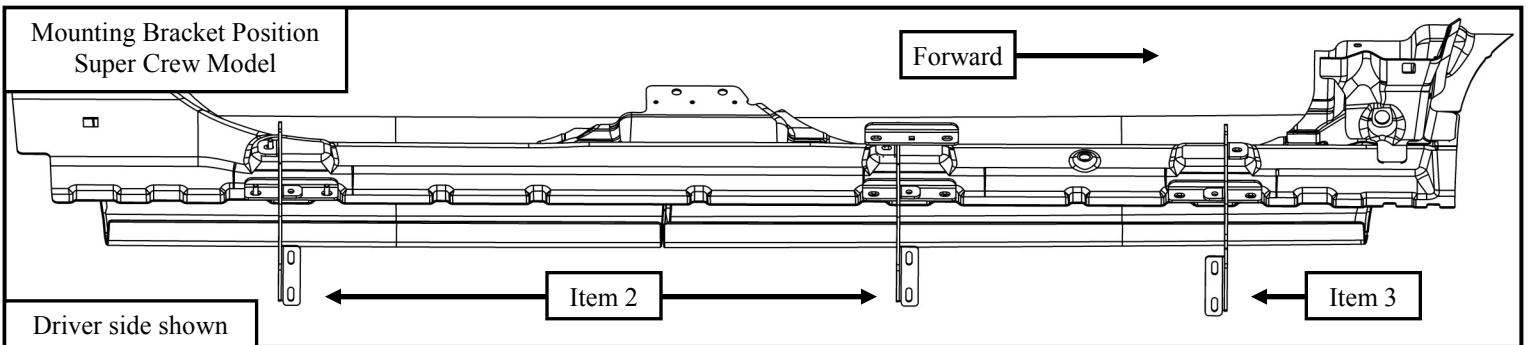
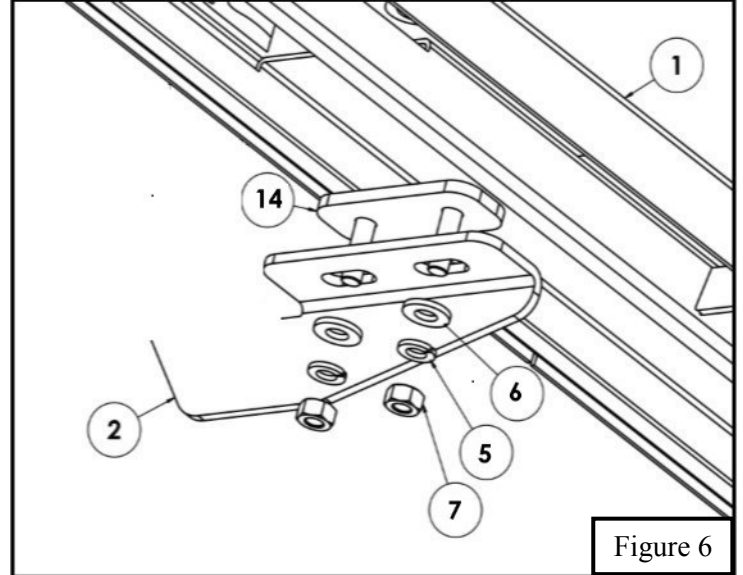
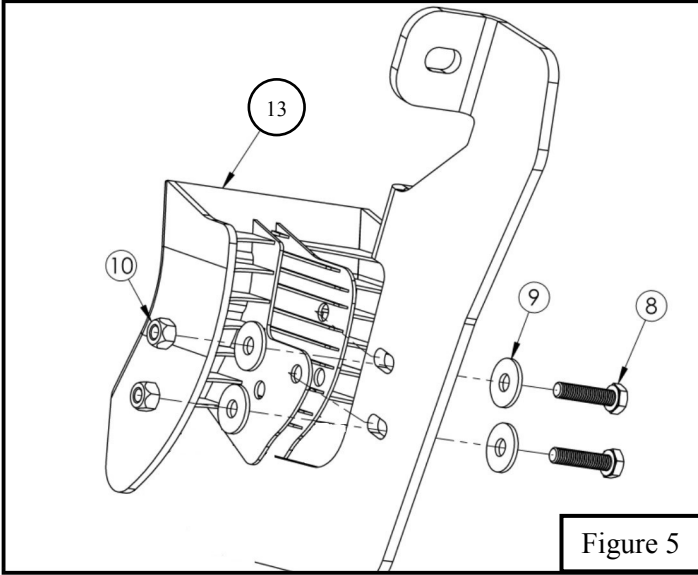
4. Insert the M8 round head square neck bolt (Item 11) through the Universal Mounting Bracket's (Item 4) square hole. Then insert the M8 round head square neck bolt through Bracket A & B (Item 2 & 3) bottom circular hole. Loosely secure Item 2, 3, & 4 with (1) M8 hex nut, (1) M8 split lock washer, and (1) M8 flat washer. (**Note:** For Super Cab model there will be 4 Universal Mounting Brackets and for the Super Crew model there are 6.) **See Figure 3.**
5. Align sub-assembly with the 3 factory studs. Lower 2 factory studs will align with the Universal Mounting Bracket and top factory stud will align with Bracket A/B. Loosely secure sub-assembly (Items 2/3 & 4) with (3) M8 hex nut, (3) M8 split lock washer, and (3) M8 flat washer. **See Figure 4.**
6. Repeat **Step 3-4** for every mounting location. (**Note:** The Super Crew model will have 2 extra Bracket A, due to an extra center location of factory studs. Bracket A (Item 2) is used for the center and rear locations.)



Westin Automotive Products, Inc.
320 W. Covina Blvd
San Dimas, Ca. 91773

Thank you for choosing Westin products
for additional installation assistance please call
Customer Service (800) 793-7846

7. Locate (1) Plastic Bracket Cover (Item 16) and loosely secure it to the (6) brackets using the provided hardware: (2) M6 hex head bolt, (4) M6 flat washer, and (2) M6 nylon lock nut. Repeat for every bracket. See **Figure 5**.
8. For Step Board installation to the previously installed mounting brackets use the supplied M8 bolt plates and M8 hardware. Slide bolt plate into the board rail located underneath the step board, then loosely install with M8 hardware. See **Figure 6**.
9. Align step bar and brackets to desired positioning then torque and tighten all: M8 hardware to 15-18 ft-lbs and M6 hardware to 7-8 ft-lbs .



Westin Automotive Products, Inc.
320 W. Covina Blvd
San Dimas, Ca. 91773

Thank you for choosing Westin products
for additional installation assistance please call
Customer Service (800) 793-7846

INSTALLATION COMPLETE



Super Cab
shown

Care Instructions

- REGULAR WAXING IS RECOMMENDED. DO NOT USE ANY TYPE OF POLISH OR WAX THAT MAY CONTAIN ABRASIVES.
- STAINLESS STEEL PRODUCTS CAN BE CLEANED WITH MILD SOAP AND WATER. STAINLESS STEEL POLISH SHOULD BE USED TO POLISH SMALL SCRATCHES.
- GLOSS BLACK FINISHES SHOULD BE CLEANED WITH MILD SOAP AND WATER.



Westin Automotive Products, Inc.
320 W. Covina Blvd
San Dimas, Ca. 91773

Thank you for choosing Westin products
for additional installation assistance please call
Customer Service (800) 793-7846
www.westinautomotive.com

Westin

SIGNATURE OF QUALITY

AUTOMOTIVE PRODUCTS, INC.



WARNING



Failure to follow these instructions could lead to death, personal injury, and / or property damage.

FASTENERS:

All Westin supplied fasteners must be utilized and installed in accordance with the installation instructions and apply torque to the specifications as defined. **DOUBLE CHECK ALL FASTENERS BEFORE INITIAL USE, AND PERIODICALLY IN THE FUTURE TO ENSURE PROPER FUNCTION AND SAFETY.**

DRILLING:

Most Westin products do not require drilling for installation. If drilling is defined as required, use caution when drilling a vehicle. **FAILURE TO REVIEW AN AREA TO BE DRILLED MAY RESULT IN PERSONAL INJURY AND/OR INJURY TO OTHERS AS WELL AS VEHICLE DAMAGE.**

EYE PROTECTION:

ALWAYS WEAR SAFETY GLASSES OR GOGGLES DURING THE INSTALLATION PROCESS TO AVOID PERSONAL INJURY.

MAXIMUM TOWING/CARRYING CAPACITY:

The Westin Receiver Hitches will have a visible tow rating label affixed directly on the product. User should never exceed the vehicle manufacturers maximum tow and weight rating regardless of the capacity of the hitch. **FAILURE TO FOLLOW THESE GUIDELINES WILL VOID THE WESTIN WARRANTY AND MAY RESULT IN PERSONAL INJURY AND/OR INJURY TO OTHERS AS WELL AS VEHICLE DAMAGE.**

Westin
SIGNATURE OF QUALITY

Westin Automotive Products, Inc.
320 W. Covina Blvd
San Dimas, Ca. 91773