

# INSTALLATION INSTRUCTIONS

## PRO TRAXX 4 & 5 NERF STEP BARS



### APPLICATION:

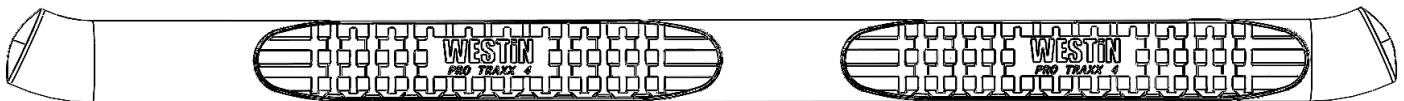
Ford Bronco 2021, 2-Door, 4-Door

### PART NUMBER:

21-24180, 21-24185, 21-24190, 21-24195, 21-54195

CONTENT			
ITEM	QUANTITY	DESCRIPTION	TOOLS NEEDED
1	1	DRIVER STEP BAR	10MM SOCKET
2	1	PASSENGER STEP BAR	10MM WRENCH
3	2	FRONT MOUNTING BRACKET	15MM SOCKET
4	2	CENTER MOUNTING BRACKET	16MM SOCKET
5	2	4-DOOR REAR MOUNTING BRACKET (21-24190, 21-24195, 21-54195)	16MM WRENCH
6	2	2 DOOR REAR MOUNTING BRACKET (21-24180, 21-24185)	RATCHET
7	6	BRACKET COVER	TORQUE WRENCH
8	12	M10 HEX HEAD CAP SCREW (YELLOW ZINC)	ALLEN WRENCH
9	12	M10 SPLIT LOCK WASHER (YELLOW ZINC)	
10	12	M10 FLAT WASHER (YELLOW ZINC)	
11	12	M10 BUTTON HEAD SCREW (BLACK ZINC)	
12	12	M10 TOOTHED LOCK WASHER (BLACK ZINC)	
13	12	M10 FLAT WASHER (BLACK ZINC)	
14	12	M6 HEX HEAD CAP SCREW (YELLOW ZINC)	
15	24	M6 FLAT WASHER (YELLOW ZINC)	
16	12	M6 NYLOCK NUT (YELLOW ZINC)	
17	1	HEX KEY TOOL	

**ANTI-SEIZE LUBRICANT MUST BE USED ON ALL STAINLESS STEEL FASTENERS TO PREVENT THREAD DAMAGE AND GALLING**



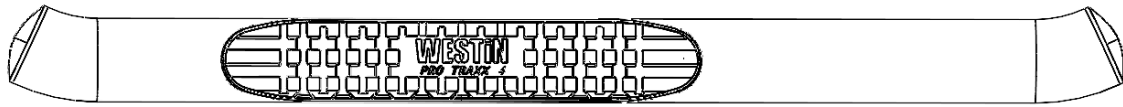
ITEM 1 (Pro Traxx 4)

Passenger Side Opposite



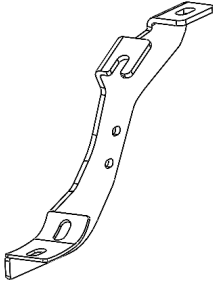
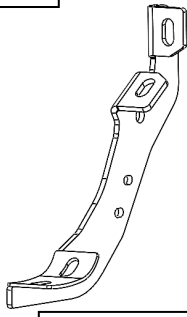
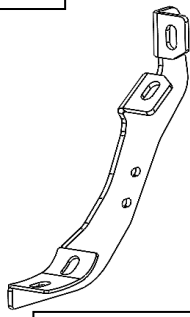
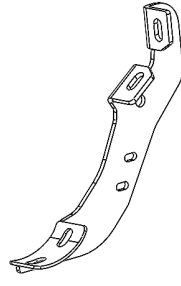
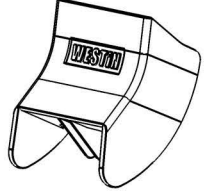
ITEM 1 (Pro Traxx 5)

Passenger Side Opposite



ITEM 1 (Pro Traxx 4)

Passenger Side Opposite

<p>ITEM 3</p>  <p>Front Bracket</p>	<p>ITEM 4</p>  <p>4-Door Center Bracket</p>	<p>ITEM 5</p>  <p>4-Door Rear Bracket</p>	<p>ITEM 6</p>  <p>2-Door Rear Bracket</p>	<p>ITEM 7</p> 
--	--	--	---	---

### PROCEDURE

1. Remove contents from box, verify if all parts listed are present and free from damage. Carefully read and understand all instructions before attempting installation. **Failure to identify damage before installation could lead to a rejection of any claim.**
2. Beginning on the driver side of the vehicle, remove (2) M10 OEM bolts (or plastic plugs) from each mounting location on the rocker panel if they are present. See **Figure 1** for reference. *Note: The 2-Door vehicle will only have two mounting locations per side.*
3. If any OEM mounting plates are present, remove them by removing the M10 bolt using a 15MM socket. See **Figure 2** for reference. *Note: Factory rock sliders must be removed in order to install this product.*

Driver Side Rocker Panel Reference (4-Door Application)

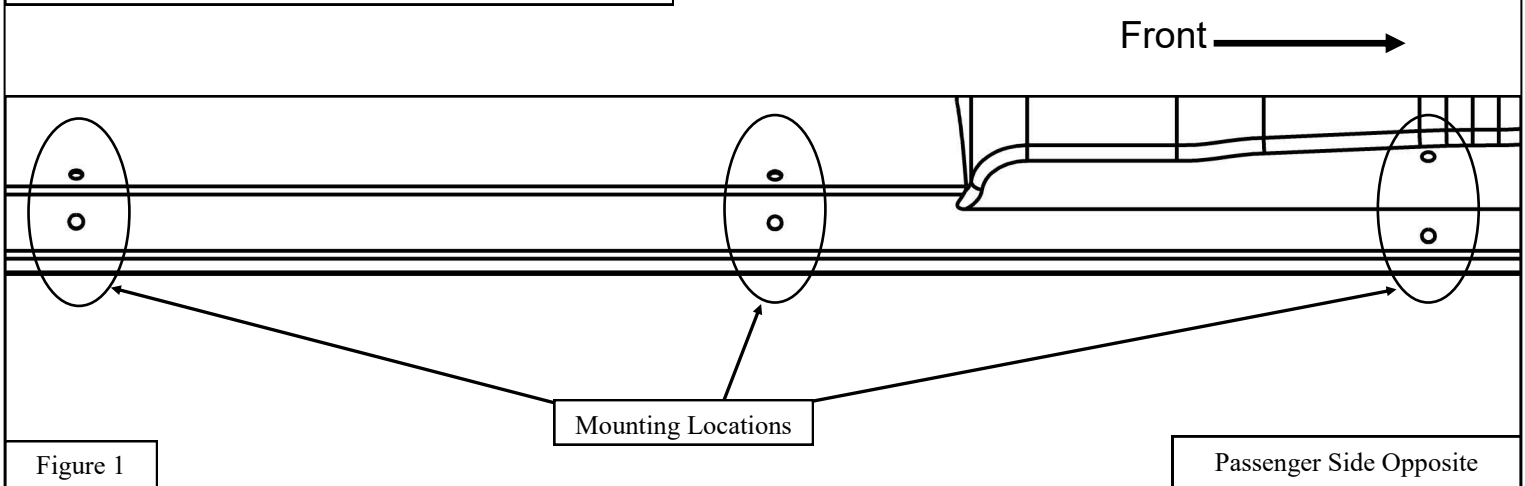
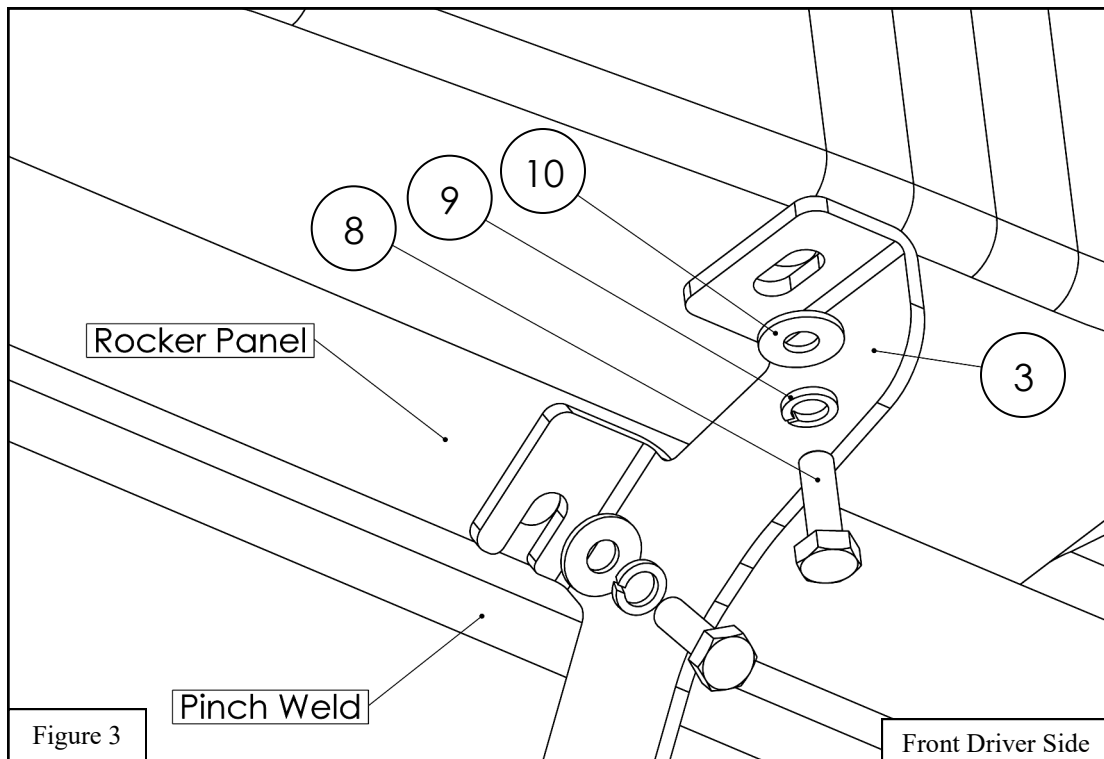


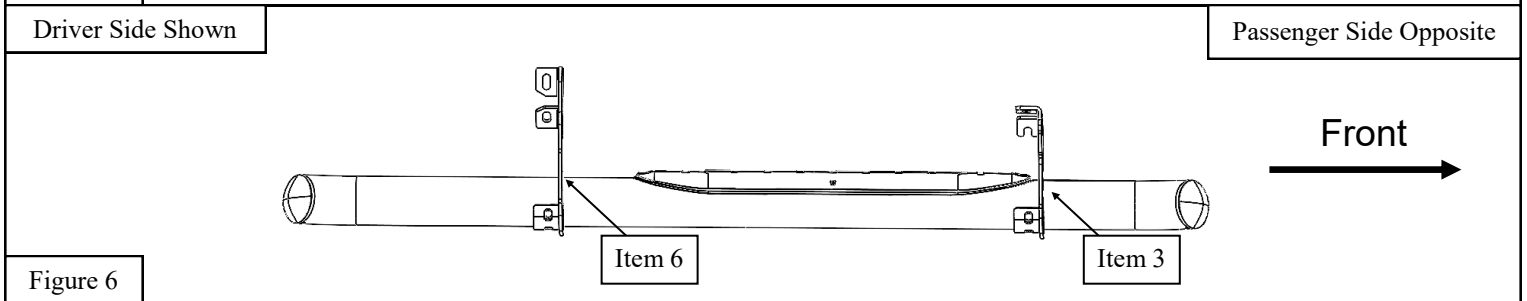
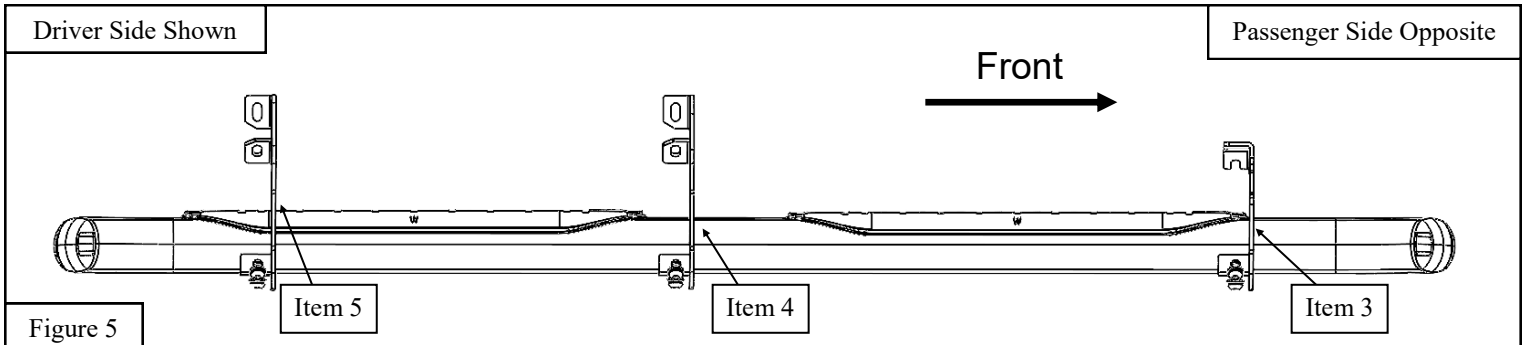
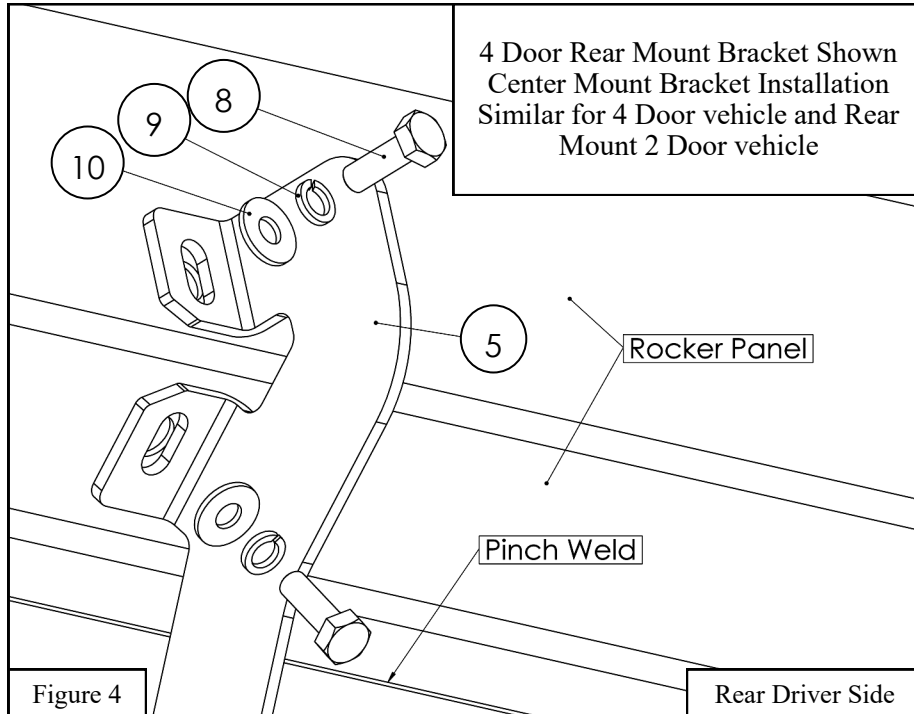
Figure 1



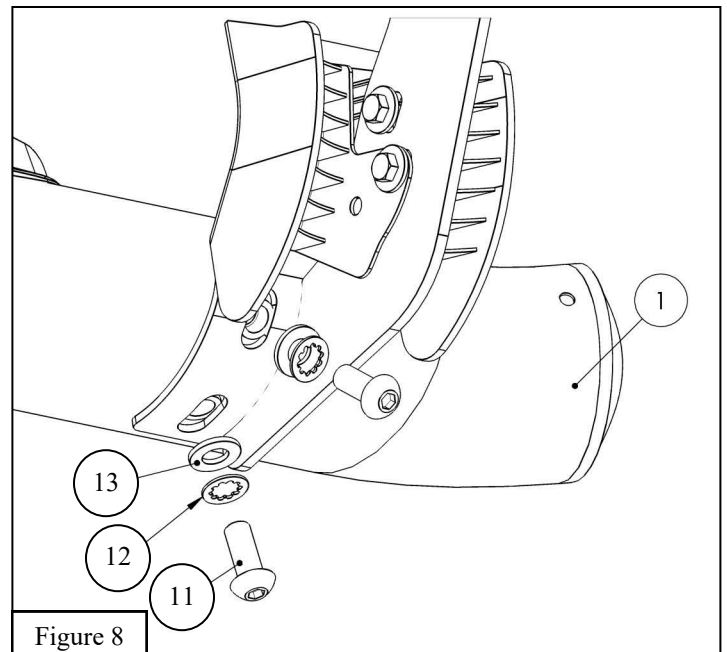
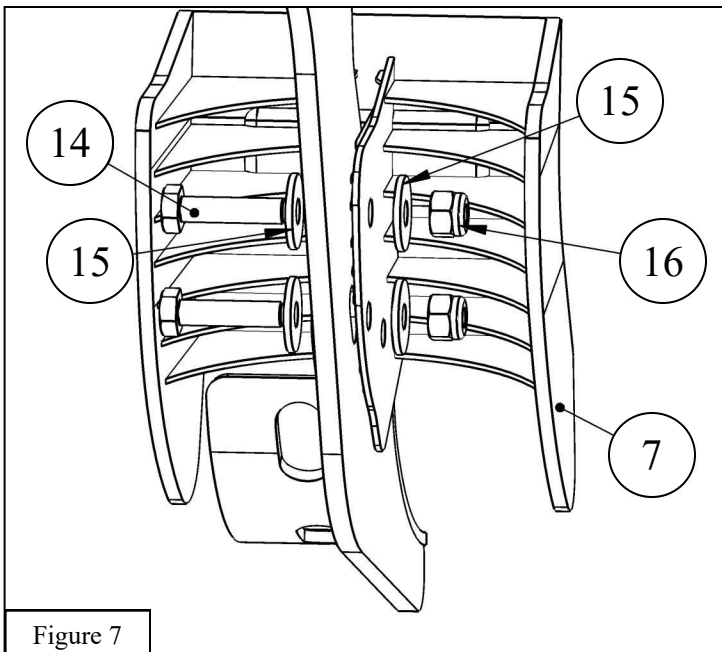
- Loosely install the Front Mounting Bracket (Item 3) to the rocker panel using the supplied M10 hardware. See **Figure 3** for reference. Please refer to **Figures 5 & 6** for bracket orientation and location.



5. Loosely install (1) Center Mount Bracket (Item 4) (**4-door vehicle only**) and (1) Rear Mount Bracket (Item 5 or 6) to the rocker panel using the supplied M10 hardware. See **Figures 4, 5, & 6** for reference. **Note:** The center 4-Door bracket has an “extra” hole to differentiate it from the rear bracket.



6. Use the supplied M6 Hardware to attach the Bracket Covers (Item 7) to the Mounting Brackets (3-5). See **Figure 7**.  
 7. Use the supplied Black M10 Hardware to attach the Step Bras (1,2) to the Mounting Brackets (3-5). See **Figure 8**.  
 8. Align and adjust the Step Bars as needed. Tighten and torque all hardware as specified: M6 to 7 ft-lbs, M10 to 38 ft-lbs.



INSTALLATION COMPLETE



**CARE INSTRUCTIONS**

- STAINLESS STEEL PRODUCTS CAN BE CLEANED WITH MILD SOAP AND WATER. STAINLESS STEEL POLISH SHOULD BE USED TO POLISH SMALL SCRATCHES.
- BLACK FINISHES SHOULD BE CLEANED WITH MILD SOAP AND WATER.

**WESTIN** Westin Automotive Products, Inc.  
320 W. Covina Blvd  
San Dimas, Ca. 91773

Thank you for choosing Westin products  
for additional installation assistance please call  
Customer Service (800) 793-7846  
[www.westinautomotive.com](http://www.westinautomotive.com)



## WARNING



Failure to follow these instructions could lead to death, personal injury, and / or property damage.

Failure to follow these instructions could lead to death, personal injury, and / or property damage.

### FASTENERS:

All Westin supplied fasteners must be utilized and installed in accordance with the installation instructions and apply torque to the specifications as defined. **DOUBLE CHECK ALL FASTENERS BEFORE INITIAL USE, AND PERIODICALLY IN THE FUTURE TO ENSURE PROPER FUNCTION AND SAFETY.**

### DRILLING:

Most Westin products do not require drilling for installation. If drilling is defined as required, use caution when drilling a vehicle. **FAILURE TO REVIEW AN AREA TO BE DRILLED MAY RESULT IN PERSONAL INJURY AND/OR INJURY TO OTHERS AS WELL AS VEHICLE DAMAGE.**

### EYE PROTECTION:

**ALWAYS WEAR SAFETY GLASSES OR GOGGLES DURING THE INSTALLATION PROCESS TO AVOID PERSONAL INJURY.**

### MAXIMUM TOWING/CARRYING CAPACITY: (if applicable)

The Westin Receiver Hitches will have a visible tow rating label affixed directly on the product. User should never exceed the vehicle manufacturers maximum tow and weight rating regardless of the capacity of the hitch. **FAILURE TO FOLLOW THESE GUIDELINES WILL VOID THE WESTIN WARRANTY AND MAY RESULT IN PERSONAL INJURY AND/OR INJURY TO OTHERS AS WELL AS VEHICLE DAMAGE.**

### FOR CALIFORNIA RESIDENTS ONLY-PROP 65 WARNING:

Some products may contain chemicals such as DEHP, which can cause cancer, birth defects or other reproductive harm. For more info go to [www.p65warnings.ca.gov](http://www.p65warnings.ca.gov)



Westin Automotive Products, Inc.  
320 W. Covina Blvd  
San Dimas, Ca. 91773