

INSTALLATION INSTRUCTIONS

PLATINUM OVAL & E-SERIES STEP BARS



APPLICATION:

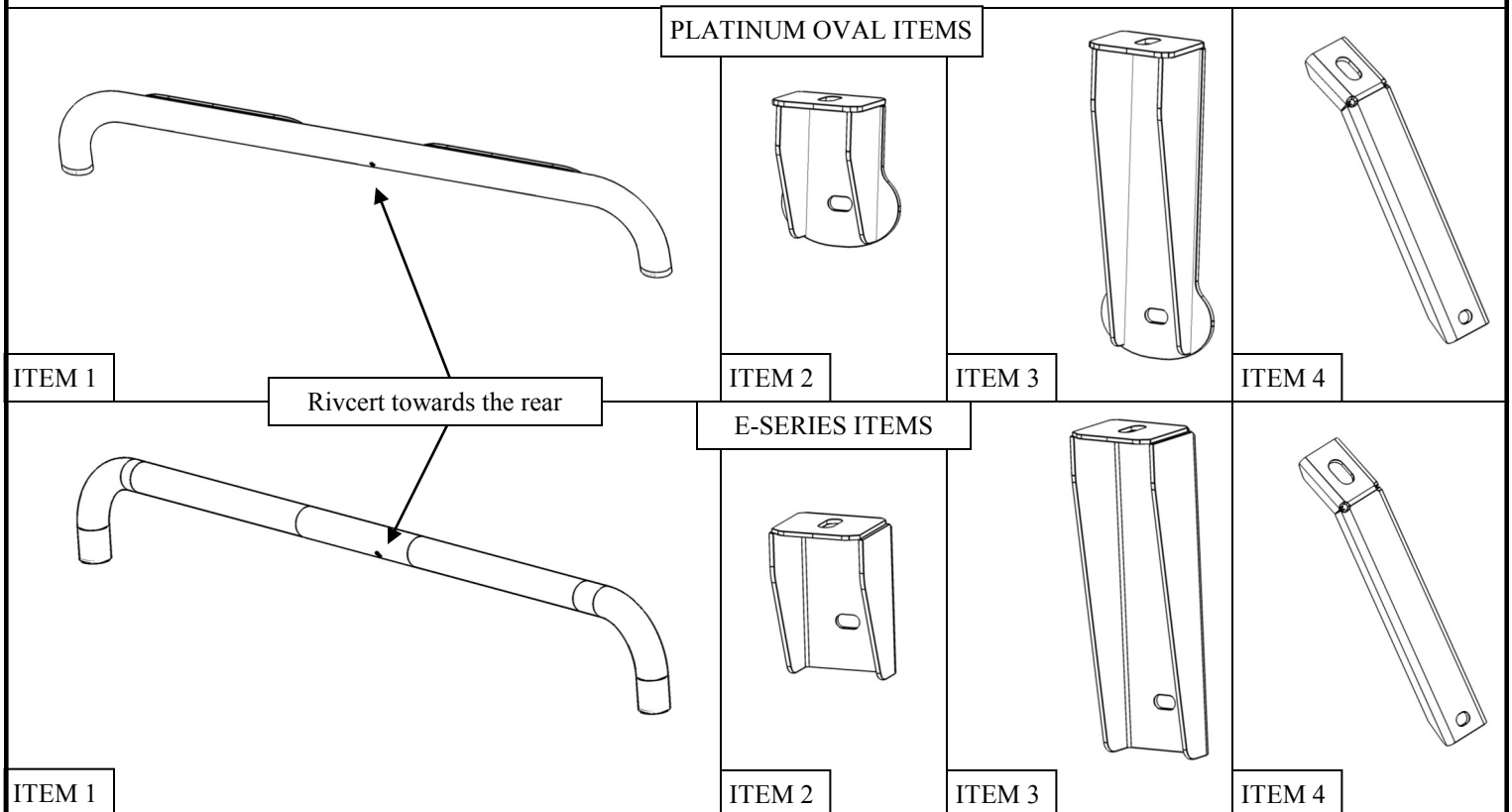
2019 Chevy Silverado/GMC Sierra 1500 Crew Cab & Double Cab

PART NUMBERS:

21-4130, 21-4135, 23-4130, 23-4135, 21-4120, 21-4125, 23-4120, 23-4125

CONTENT			
ITEM	QUANTITY	DESCRIPTION	TOOLS NEEDED
1	2	STEP BAR ASSEMBLY (1 DRIVER, 1 PASSENGER)	16MM SOCKET
2	2	FRONT MOUNTING BRACKET	16MM WRENCH
3	2	REAR MOUNTING BRACKET	3/4" SOCKET
4	2	CENTER BRACKET	3/4" WRENCH
5	4	1/2" HEX HEAD CAP SCREW (YELLOW ZINC)	RATCHET
6	4	1/2" FLAT WASHER (YELLOW ZINC)	TORQUE WRENCH
7	4	1/2" SPLIT LOCK WASHER (YELLOW ZINC)	21MM SOCKET
8	4	M10 BUTTON HEAD CAP SCREW (BLACK STAINLESS)	ALLEN WRENCH
9	4	M10 FLAT WASHER (BLACK STAINLESS)	
10	4	M10 TOOTHED LOCK WASHER (BLACK STAINLESS)	

ANTI-SEIZE LUBRICANT MUST BE USED ON ALL STAINLESS STEEL FASTENERS TO PREVENT THREAD DAMAGE AND GALLING



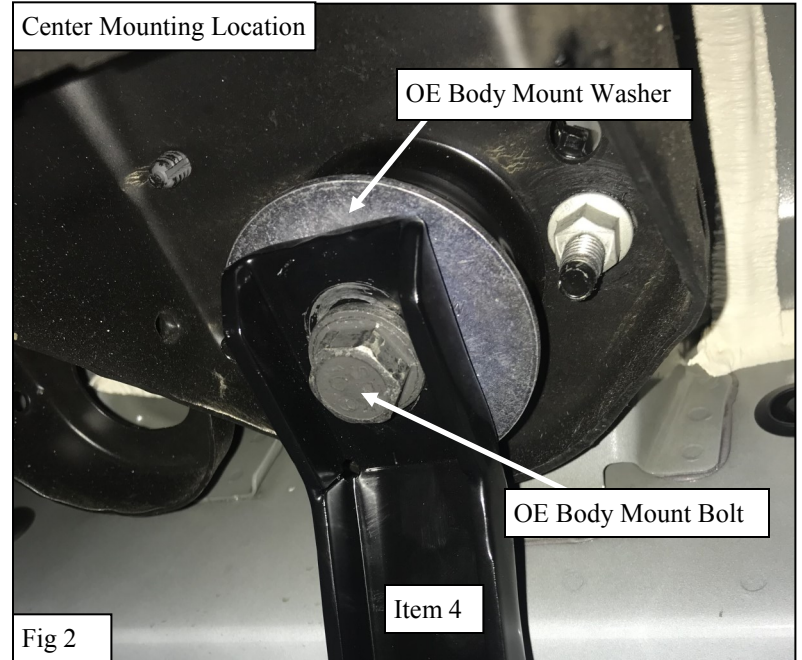
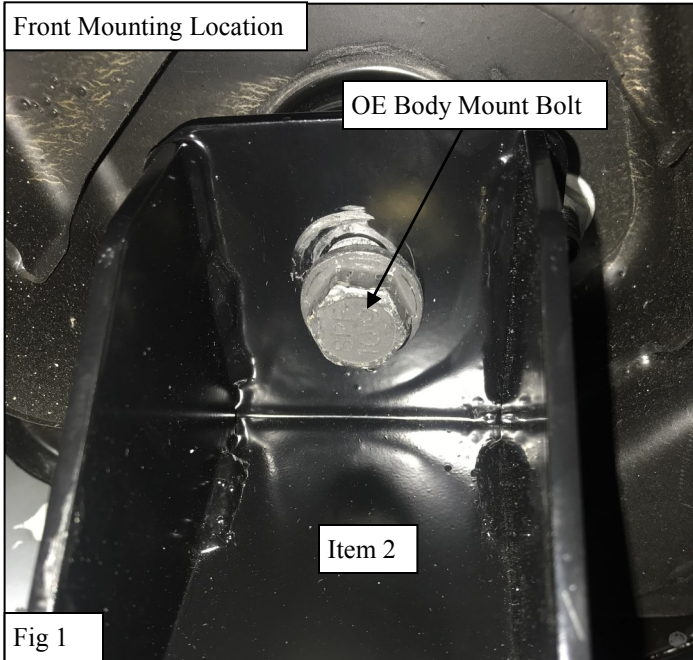
PROCEDURE

1. Remove contents from box, verify if all parts listed are present and free from damage.

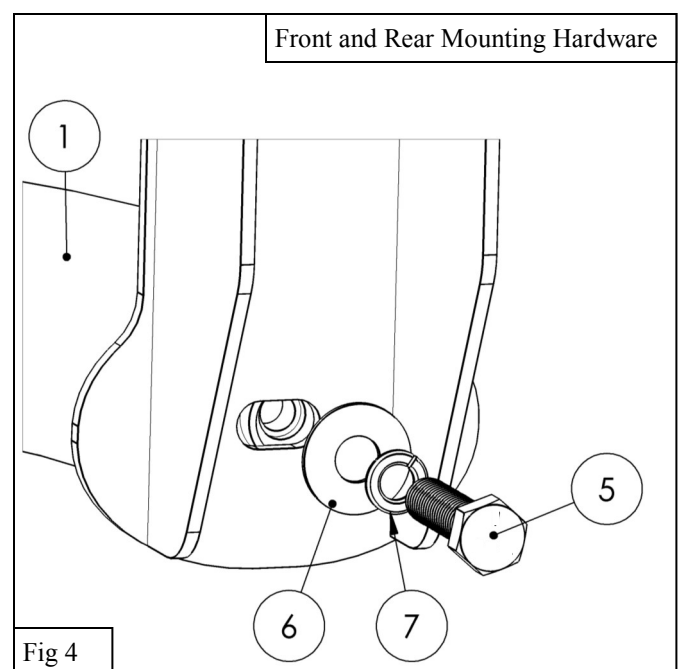
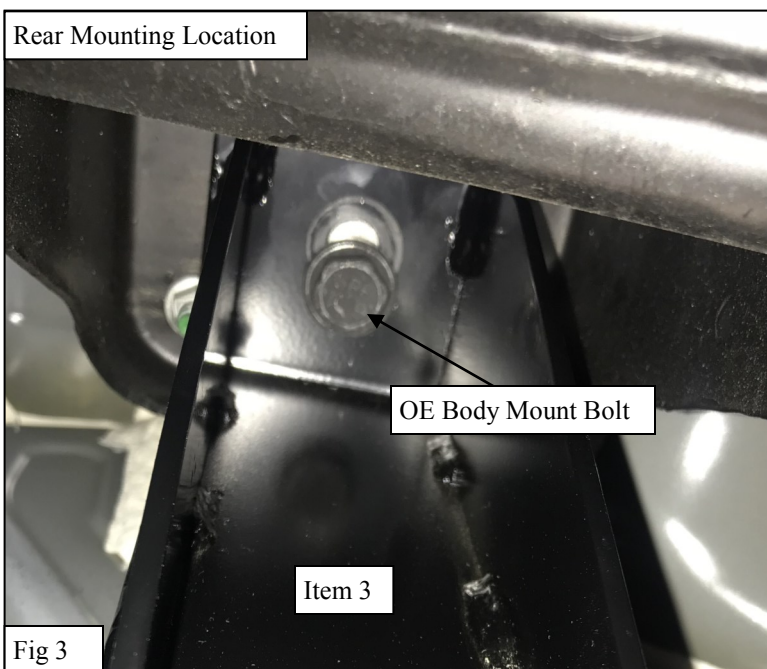
Carefully read and understand all instructions before attempting installation.

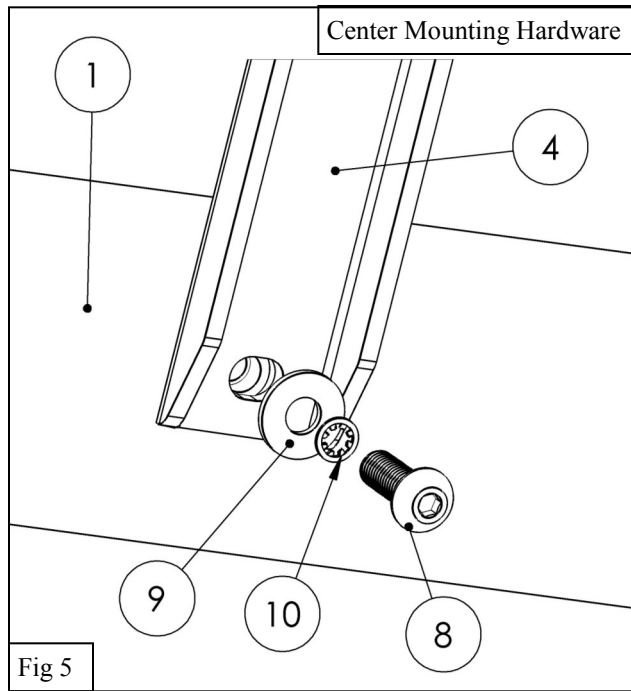
Failure to identify damage before installation could lead to a rejection of any claim.

2. Begin by loosely installing the Mounting Brackets (2-4). Do so by removing the body mount bolt at each location and then installing the brackets as shown. **Note: WHEN INSTALLING BRACKETS, THE OE BODY MOUNT WASHER MUST BE REINSTALLED IN THE SAME LOCATION: IMMEDIATELY AFTER THE BODY MOUNT. The order will be body mount, washer, bracket (2-4), OE body mount bolt. See Figures 1-3.**



3. Install the Step Bar (1) to the brackets using the supplied 1/2" and M10 Hardware. See **Figures 4 & 5**. *Note: Platinum Oval Shown; E-Series similar.*





- Adjust the installed step bar as desired and torque all hardware: 1/2" to 50-55 ft-lbs, M10 to 25-30 ft-lbs, and OE Body Mount Bolts to 120 ft-lbs.



CARE INSTRUCTIONS

- REGULAR WAXING IS RECOMMENDED. DO NOT USE ANY TYPE OF POLISH OR WAX THAT MAY CONTAIN ABRASIVES
- STAINLESS STEEL PRODUCTS CAN BE CLEANED WITH MILD SOAP AND WATER. STAINLESS STEEL POLISH SHOULD BE USED TO POLISH SMALL SCRATCHES.
- GLOSS BLACK FINISHES SHOULD BE CLEANED WITH MILD SOAP AND WATER



WARNING



Failure to follow these instructions could lead to death, personal injury, and / or property damage.

Failure to follow these instructions could lead to death, personal injury, and / or property damage.

FASTENERS:

All Westin supplied fasteners must be utilized and installed in accordance with the installation instructions and apply torque to the specifications as defined. **DOUBLE CHECK ALL FASTENERS BEFORE INITIAL USE, AND PERIODICALLY IN THE FUTURE TO ENSURE PROPER FUNCTION AND SAFETY.**

DRILLING:

Most Westin products do not require drilling for installation. If drilling is defined as required, use caution when drilling a vehicle. **FAILURE TO REVIEW AN AREA TO BE DRILLED MAY RESULT IN PERSONAL INJURY AND/OR INJURY TO OTHERS AS WELL AS VEHICLE DAMAGE.**

EYE PROTECTION:

ALWAYS WEAR SAFETY GLASSES OR GOGGLES DURING THE INSTALLATION PROCESS TO AVOID PERSONAL INJURY.

MAXIMUM TOWING/CARRYING CAPACITY: (if applicable)

The Westin Receiver Hitches will have a visible tow rating label affixed directly on the product. User should never exceed the vehicle manufacturers maximum tow and weight rating regardless of the capacity of the hitch. **FAILURE TO FOLLOW THESE GUIDELINES WILL VOID THE WESTIN WARRANTY AND MAY RESULT IN PERSONAL INJURY AND/OR INJURY TO OTHERS AS WELL AS VEHICLE DAMAGE.**

FOR CALIFORNIA RESIDENTS ONLY-PROP 65 WARNING:

Some products may contain chemicals such as DEHP, which can cause cancer, birth defects or other reproductive harm. For more info go to www.p65warnings.ca.gov