

INSTALLATION INSTRUCTIONS

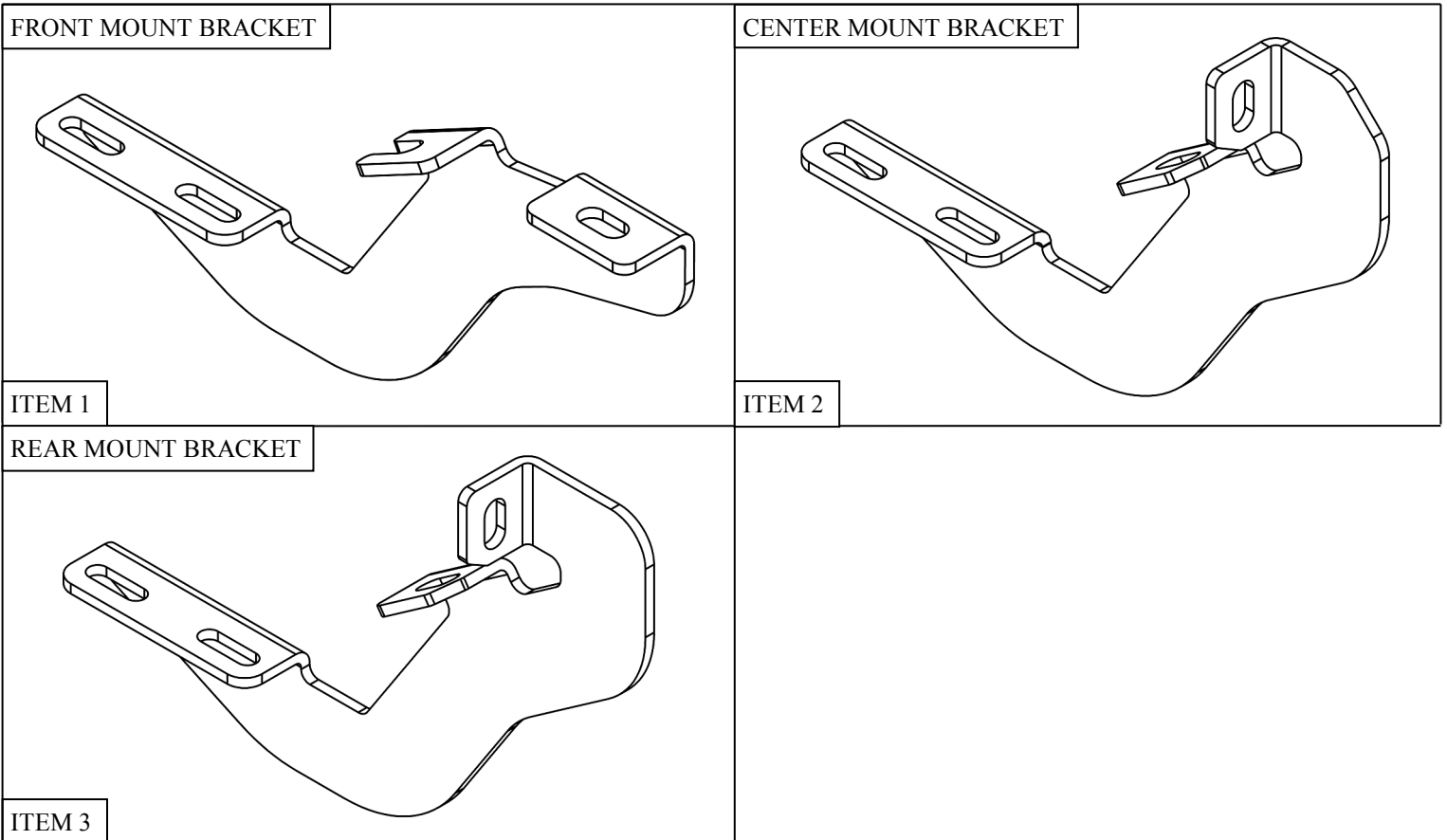
STEP BOARD MOUNT KIT



APPLICATION:
2019 Ford Ranger SuperCab
2019 Ford Ranger SuperCrew
PART NUMBER:
27-2265

CONTENT			
ITEM	QUANTITY	DESCRIPTION	TOOLS NEEDED
1	2	FRONT MOUNT BRACKET	17MM SOCKET
2	2	CENTER MOUNT BRACKET	13MM SOCKET
3	2	REAR MOUNT BRACKET	RATCHET
4	12	M10 HEX HEAD BOLT	TORQUE WRENCH
5	12	M10 SPLIT LOCK WASHER	
6	12	M10 FLAT WASHER	
7	12	M8 SQUARE HEAD BOLT	
8	12	M8 FLAT WASHER	
9	12	M8 NYLON LOCK NUT	

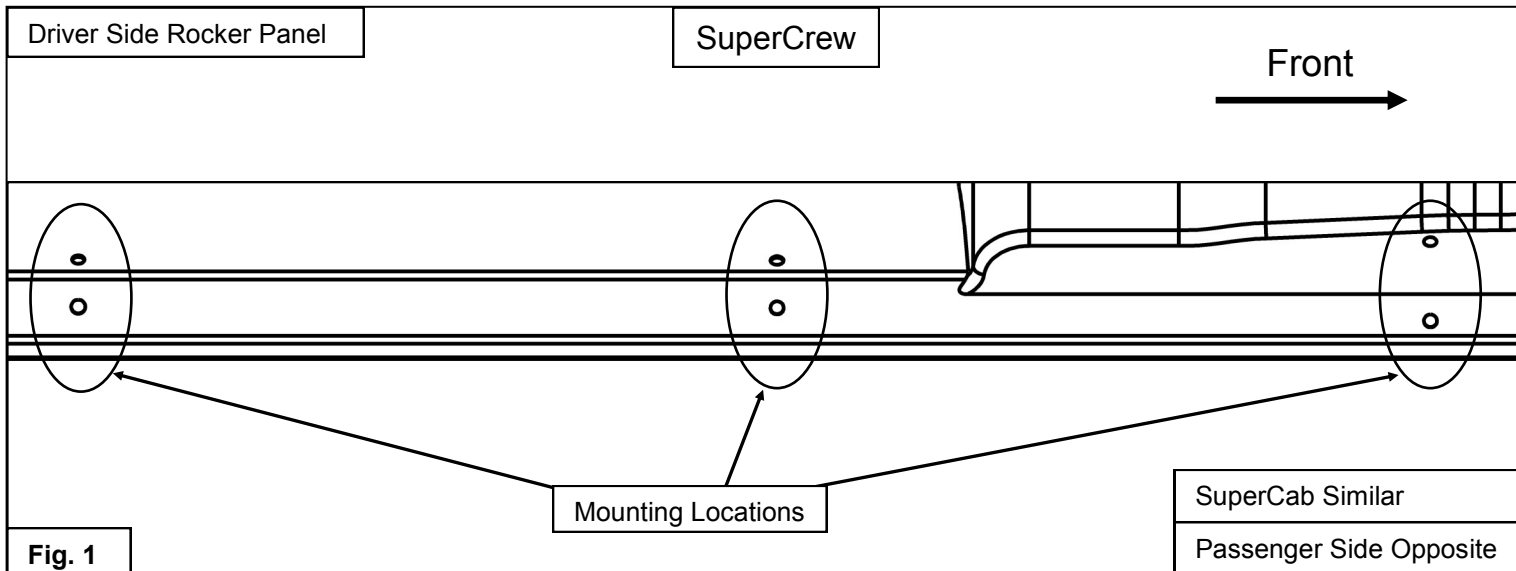
ANTI-SEIZE LUBRICANT MUST BE USED ON ALL STAINLESS STEEL FASTENERS TO PREVENT THREAD DAMAGE AND GALLING



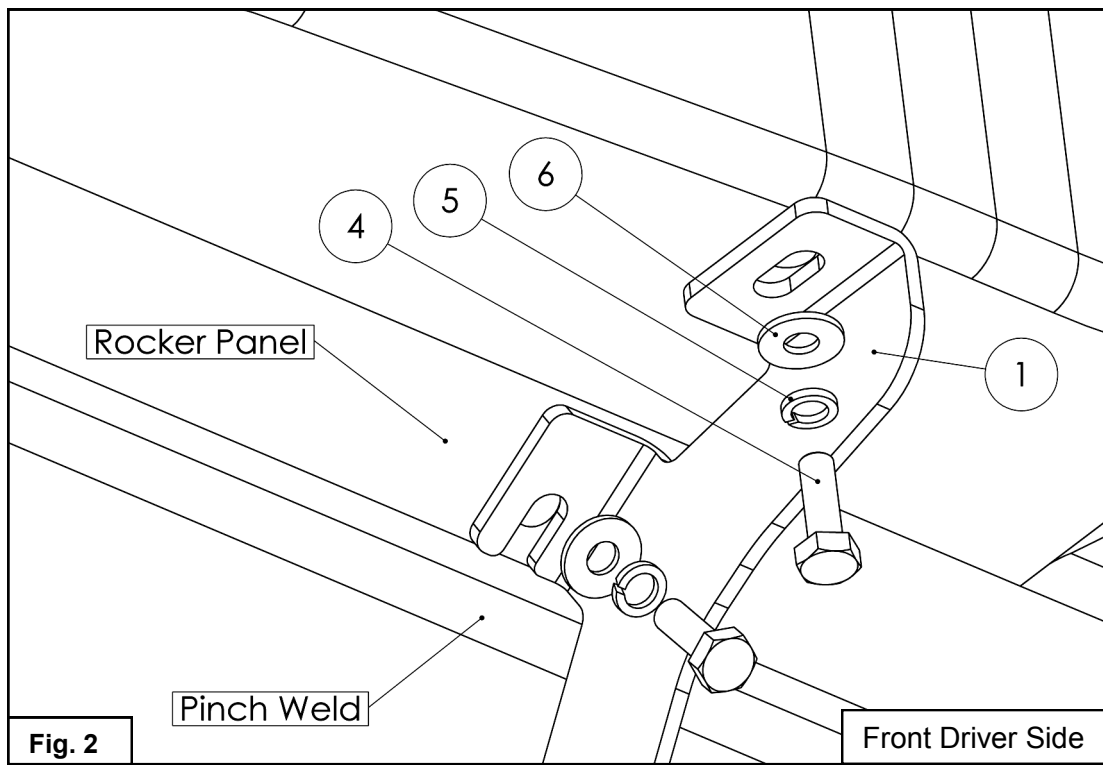
PROCEDURE

1. Remove contents from box, verify if all parts listed are present and free from damage.
Carefully read and understand all instructions before attempting installation.
Failure to identify damage before installation could lead to a rejection of any claim.

2. Beginning on the driver side of the vehicle, remove (2) M10 OEM bolts from each mounting location on the rocker panel.
See **Figure 1**.



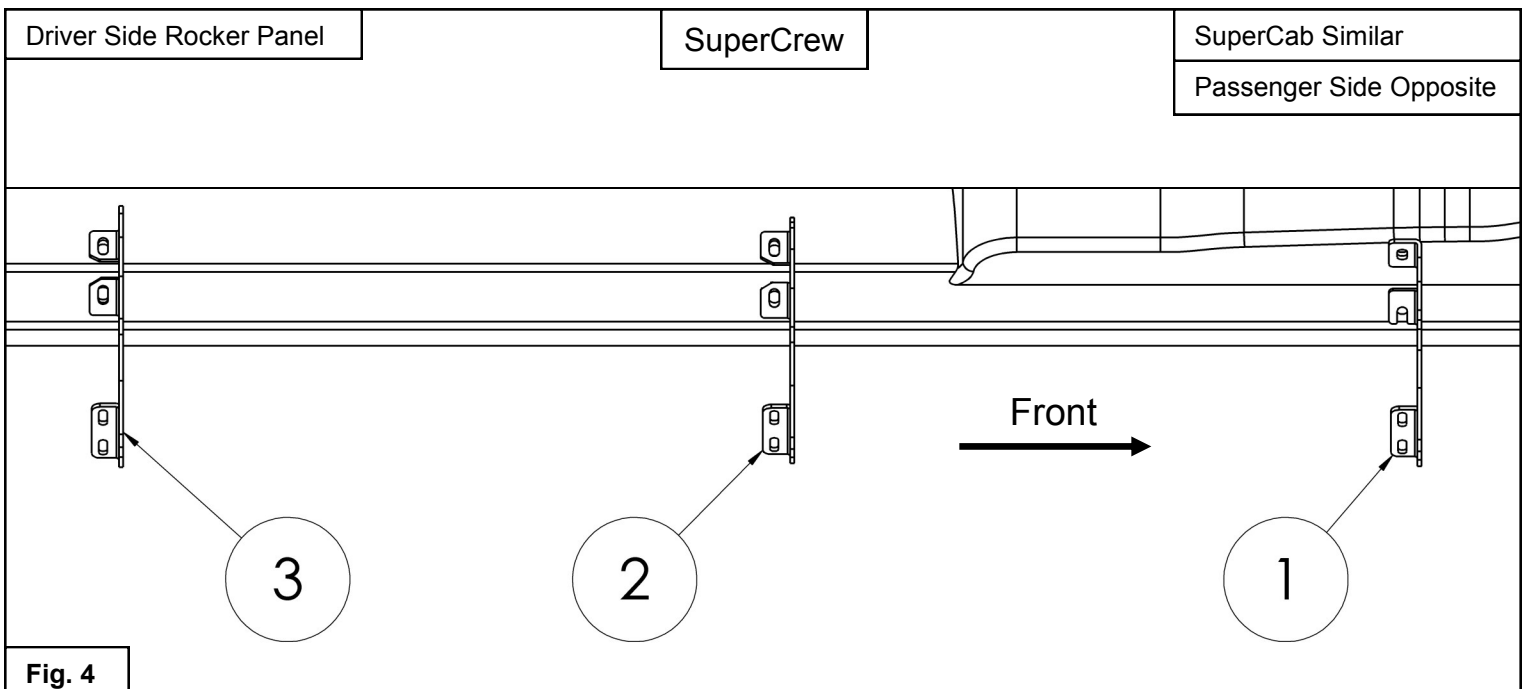
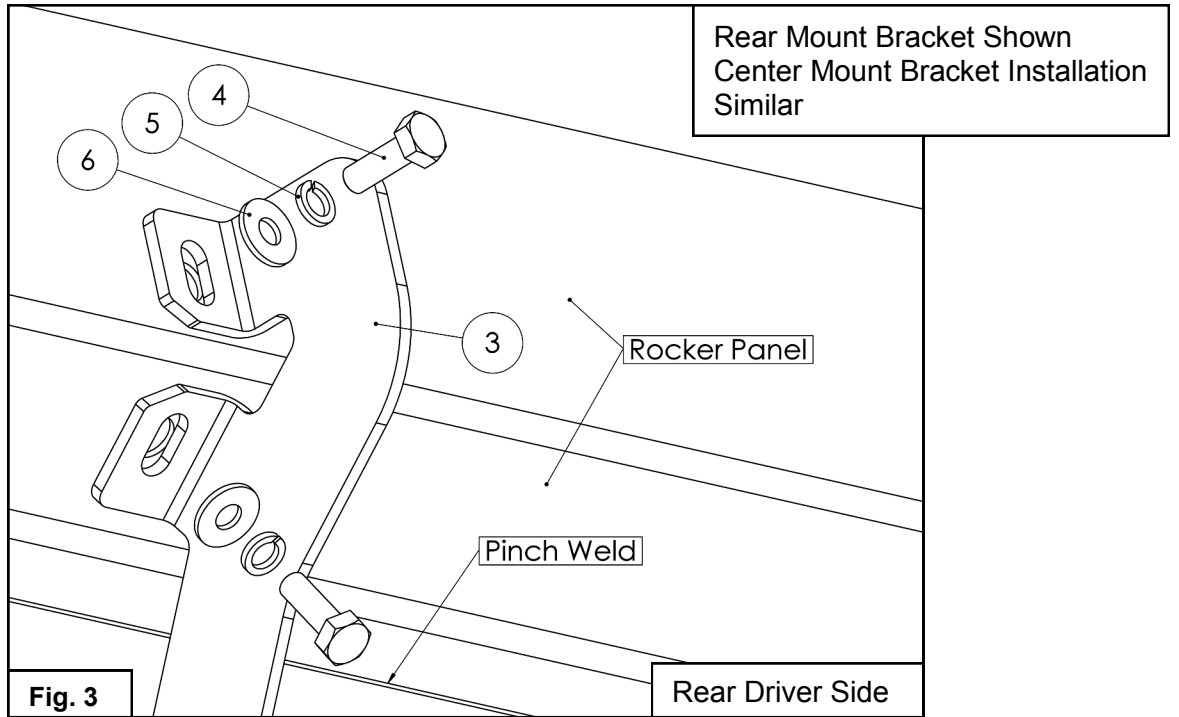
3. Loosely secure (1) Front Mount Bracket (item 1) to the rocker panel using the supplied M10 hardware (items 4-6). See **Figures 1 & 2**.



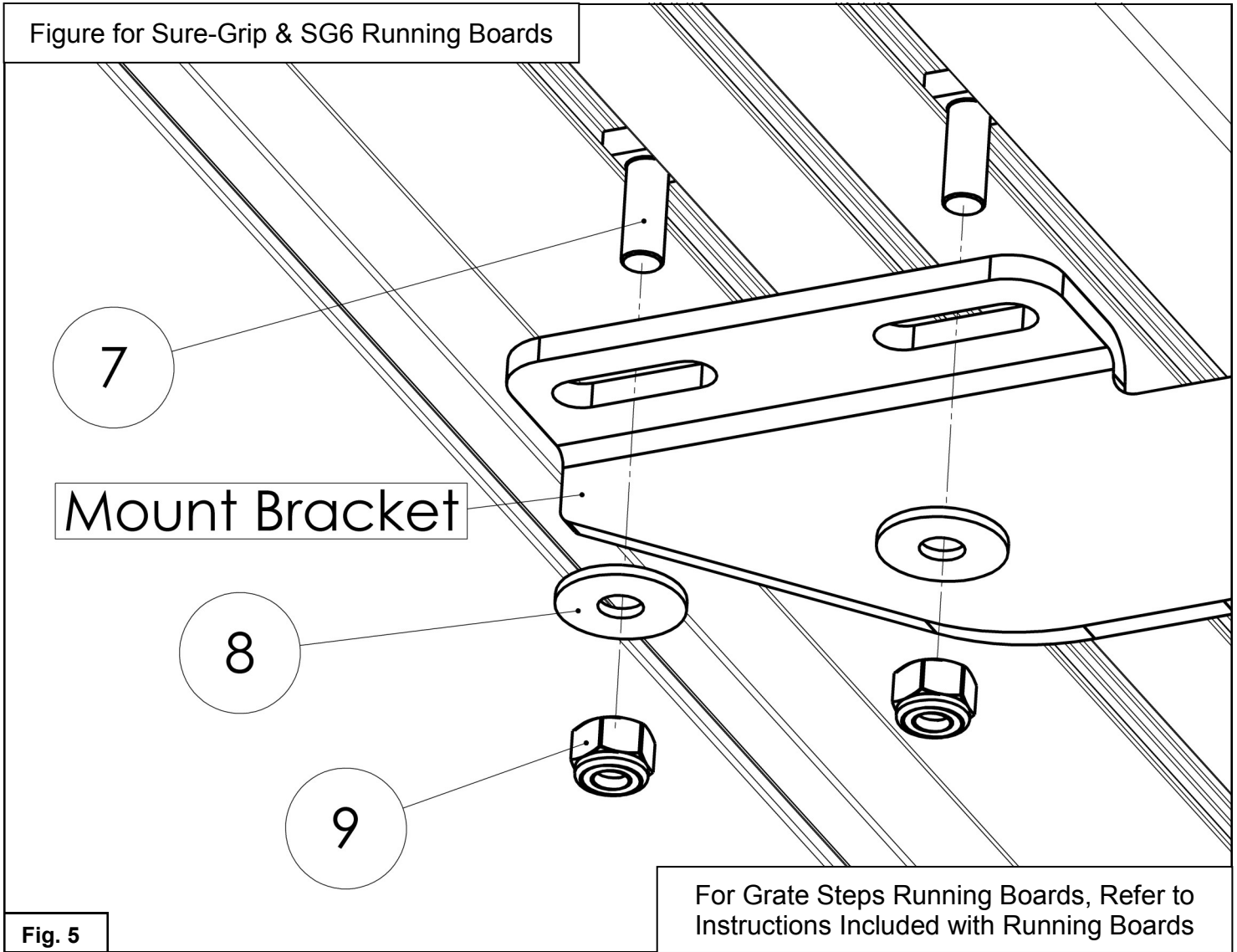
WESTIN

Westin Automotive Products, Inc.
320 W. Covina Blvd
San Dimas, Ca. 91773

4. Loosely secure (1) Center Mount Bracket (item 2) and (1) Rear Mount Bracket (item 3) to the rocker panel using the supplied M10 hardware (items 4-6). See **Figures 3 & 4**.



5. Move to the passenger side of the vehicle and repeat **Steps 2-4**.
6. Fasten running boards respectively to either side using the 5/16" hardware provided with the step bars (items 7-9) .
See Figure 5.
Note 1: Running boards sold separately.
Note 2: For Grate Steps Running Boards, refer to the installation instructions included with the running boards.
7. Align and adjust the running boards and brackets as needed and fully tighten all hardware. Torque all 5/16" fasteners to 15-18 ft-lbs, and all M10 fasteners to 30-35 ft-lbs.



CARE INSTRUCTIONS

- REGULAR WAXING IS RECOMMENDED. DO NOT USE ANY TYPE OF POLISH OR WAX THAT MAY CONTAIN ABRASIVES.
- STAINLESS STEEL PRODUCTS CAN BE CLEANED WITH MILD SOAP AND WATER. STAINLESS STEEL POLISH SHOULD BE USED TO POLISH SMALL SCRATCHES.
- GLOSS BLACK FINISHES SHOULD BE CLEANED WITH MILD SOAP AND WATER

WESTIN Westin Automotive Products, Inc.
320 W. Covina Blvd
San Dimas, Ca. 91773

Thank you for choosing Westin products
for additional installation assistance please call
Customer Service (800) 793-7846

INSTALLATION COMPLETED



SuperCab & Grate Steps
Running Boards Shown

Running Boards Sold Separately

CARE INSTRUCTIONS

- REGULAR WAXING IS RECOMMENDED. DO NOT USE ANY TYPE OF POLISH OR WAX THAT MAY CONTAIN ABRASIVES.
- STAINLESS STEEL PRODUCTS CAN BE CLEANED WITH MILD SOAP AND WATER. STAINLESS STEEL POLISH SHOULD BE USED TO POLISH SMALL SCRATCHES.
- GLOSS BLACK FINISHES SHOULD BE CLEANED WITH MILD SOAP AND WATER

WESTIN

Westin Automotive Products, Inc.
320 W. Covina Blvd
San Dimas, Ca. 91773

Thank you for choosing Westin products
for additional installation assistance please call
Customer Service (800) 793-7846
www.westinautomotive.com



WARNING



Failure to follow these instructions could lead to death, personal injury, and / or property damage.

Failure to follow these instructions could lead to death, personal injury, and / or property damage.

FASTENERS:

All Westin supplied fasteners must be utilized and installed in accordance with the installation instructions and apply torque to the specifications as defined. **DOUBLE CHECK ALL FASTENERS BEFORE INITIAL USE, AND PERIODICALLY IN THE FUTURE TO ENSURE PROPER FUNCTION AND SAFETY.**

DRILLING:

Most Westin products do not require drilling for installation. If drilling is defined as required, use caution when drilling a vehicle. **FAILURE TO REVIEW AN AREA TO BE DRILLED MAY RESULT IN PERSONAL INJURY AND/OR INJURY TO OTHERS AS WELL AS VEHICLE DAMAGE.**

EYE PROTECTION:

ALWAYS WEAR SAFETY GLASSES OR GOGGLES DURING THE INSTALLATION PROCESS TO AVOID PERSONAL INJURY.

MAXIMUM TOWING/CARRYING CAPACITY: (if applicable)

The Westin Receiver Hitches will have a visible tow rating label affixed directly on the product. User should never exceed the vehicle manufacturers maximum tow and weight rating regardless of the capacity of the hitch. **FAILURE TO FOLLOW THESE GUIDELINES WILL VOID THE WESTIN WARRANTY AND MAY RESULT IN PERSONAL INJURY AND/OR INJURY TO OTHERS AS WELL AS VEHICLE DAMAGE.**

FOR CALIFORNIA RESIDENTS ONLY-PROP 65 WARNING:

Some products may contain chemicals such as DEHP, which can cause cancer, birth defects or other reproductive harm. For more info go to www.p65warnings.ca.gov