

INSTALLATION INSTRUCTIONS

STEP BOARD MOUNTING KIT

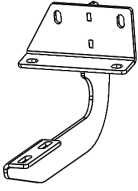

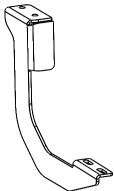
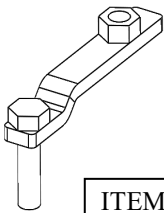
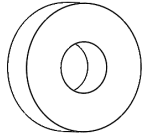
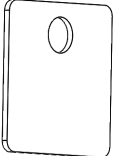


APPLICATION:
Ford Transit Van 150/250/350 2015-2021 (For 54" Passenger Side Door)

PART NUMBER:
27-2305

CONTENT			
ITEM	QUANTITY	DESCRIPTION	TOOLS NEEDED
1	2	PASSENGER BRACKET	13MM SOCKET
2	2	SPACER PLATE	13MM WRENCH
3	1	REAR PASSENGER BRACKET	RATCHET
4	1	M8 BOLT & NUT PLATE	TORQUE WRENCH
5	1	SPACER	
6	1	REAR PASSENGER SPACER	
7	4	M8 SELF TAPPING SCREW	
8	8	SHORT M8 HEX HEAD CAP SCREW	
9	1	LONG M8 HEX HEAD CAP SCREW	
10	10	M8 SPLIT LOCK WASHER	
11	10	M8 FLAT WASHER	
12	5	M8 HEX NUT	
13	16	M8 RIVET NUT	
14	1	M8 RIVCERT INSTALLATION TOOL	

ANTI-SEIZE LUBRICANT MUST BE USED ON ALL STAINLESS STEEL FASTENERS TO PREVENT THREAD DAMAGE AND GALLING

Center Passenger Bracket	Spacer Plate	Rear Passenger Bracket	M8 Bolt & Nut Plate	Spacer	Rear Spacer Plate
					
ITEM 1	ITEM 2	ITEM 3	ITEM 4	ITEM 5	ITEM 6

PROCEDURE

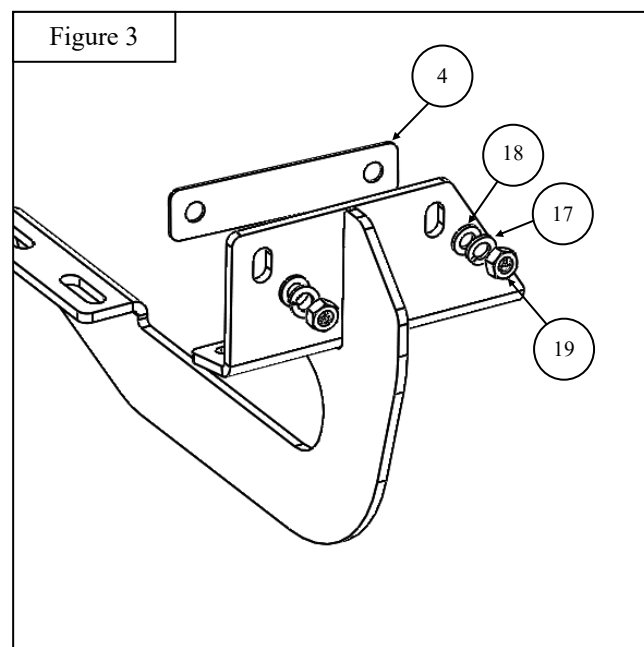
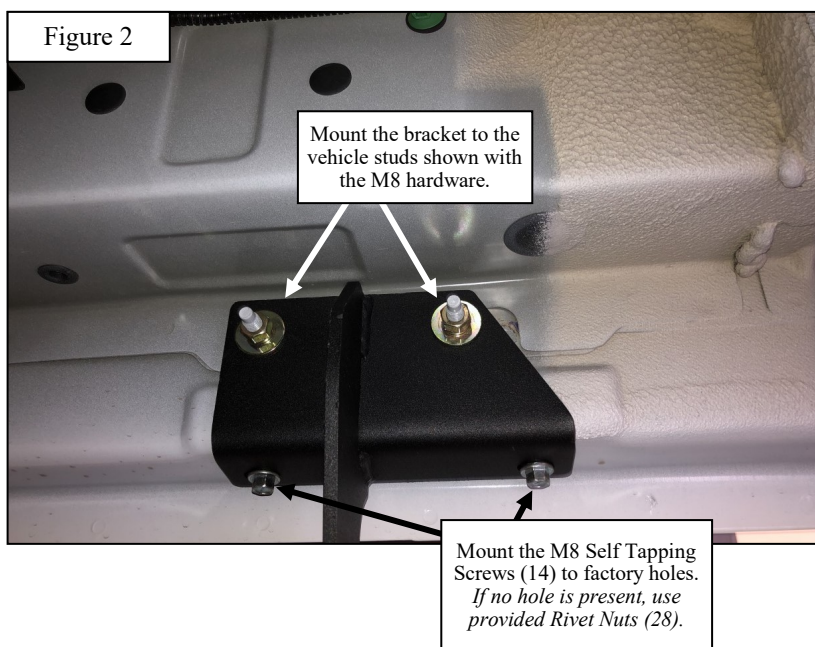
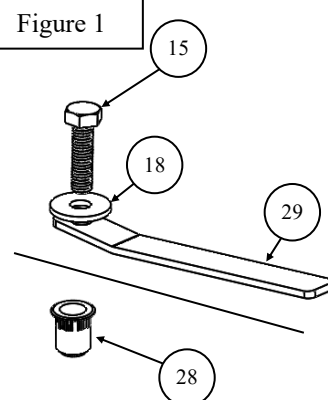
1. Remove contents from box, verify if all parts listed are present and free from damage. Carefully read and understand all instructions before attempting installation.
Failure to identify damage before installation could lead to a rejection of any claim.

2. Locate and install the two Center Passenger Brackets (3) using the provided Spacer Plate (4), M8 hardware (17-19), and Self Tapping Screws (14) onto the OEM mounting studs. See **Figures 2 & 3** for reference.

Note: On the early models of the vehicle, factory holes used with the Self Tapping Screws may be missing. If necessary, use the provided M8 Rivet Nuts (28) and Rivet Nut Installation Tool (29). Early models may also be missing factory studs. M8 Rivet Nuts can be used in place of the factory studs. See Rivet Nut Installation if needed.

RIVET NUT INSTALLATION (if factory studs or holes for self tapping screws are missing)

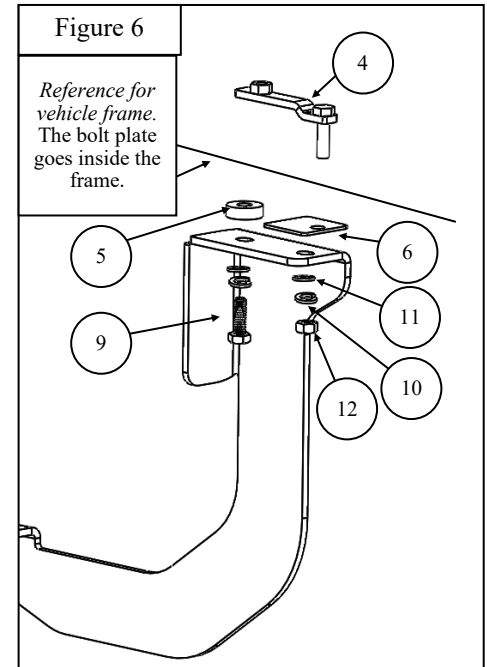
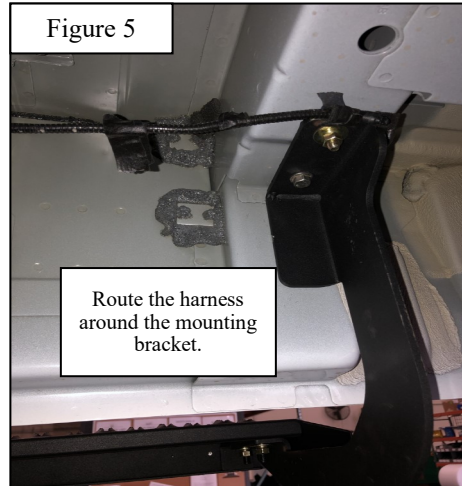
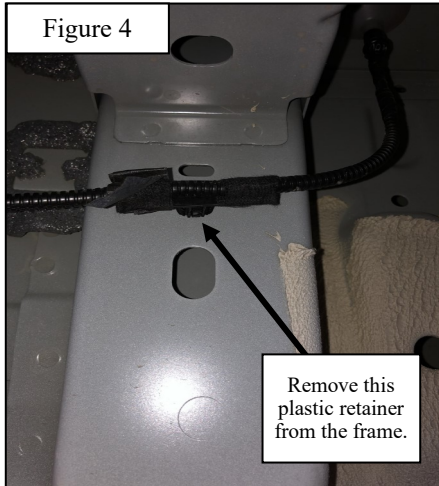
- Step 1:** Place the bracket in the mounting location and align any existing factory holes with the holes in the bracket.
- Step 2:** Using the bracket as a template, mark the locations of new holes on the rocker panel.
- Step 3:** For each rivet nut, drill a 9/16" hole. For some brackets, existing factory holes will need to be enlarged to 9/16".
- Step 4:** Insert M8 Rivet Nut (28) into drilled hole.
- Step 5:** Apply pressure onto the Rivet Nut using the provided Installation Tool (29).
- Step 6:** Using an M8 flat washer, screw a M8 hex head screw through the installation tool and rivet nut, and tighten the screw while applying pressure with the hand tool to install the Rivet Nut. See **Figure 1** for reference.
- Step 7:** Repeat for every drilled hole as needed.



3. Locate and install the Rear Passenger Bracket (3) using the provided Spacer (5), Rear Passenger Spacer (6), M8 hardware (10-12), and M8 Bolt and Nut Plate (4) onto the OEM mounting holes. See **Figure 5 & 6** for reference.

Note: Removal of the OEM plastic retainer is needed to be able to mount the bracket. See **Figure 4** for reference.

4. Refer to the installation sheet included with the Grate Steps Running Boards for running board installation instructions.



5. Align and adjust the brackets as needed. Tighten and torque all hardware once the running boards have been installed to the provided torque specs: M8 hardware to 18 ft lbs, M10 hardware to 38 ft lbs, and M12 hardware to 65 ft lbs.



CARE INSTRUCTIONS

- REGULAR WAXING IS RECOMMENDED. DO NOT USE ANY TYPE OF POLISH OR WAX THAT MAY CONTAIN ABRASIVES.
- STAINLESS STEEL PRODUCTS CAN BE CLEANED WITH MILD SOAP AND WATER. STAINLESS STEEL POLISH SHOULD BE USED TO POLISH SMALL SCRATCHES.
- GLOSS BLACK FINISHES SHOULD BE CLEANED WITH MILD SOAP AND WATER.



Westin Automotive Products, Inc.
320 W. Covina Blvd
San Dimas, Ca. 91773

Thank you for choosing Westin products
for additional installation assistance please call
Customer Service (800) 793-7846

www.westinautomotive.com



WARNING



Failure to follow these instructions could lead to death, personal injury, and / or property damage.

Failure to follow these instructions could lead to death, personal injury, and / or property damage.

FASTENERS:

All Westin supplied fasteners must be utilized and installed in accordance with the installation instructions and apply torque to the specifications as defined. **DOUBLE CHECK ALL FASTENERS BEFORE INITIAL USE, AND PERIODICALLY IN THE FUTURE TO ENSURE PROPER FUNCTION AND SAFETY.**

DRILLING:

Most Westin products do not require drilling for installation. If drilling is defined as required, use caution when drilling a vehicle. **FAILURE TO REVIEW AN AREA TO BE DRILLED MAY RESULT IN PERSONAL INJURY AND/OR INJURY TO OTHERS AS WELL AS VEHICLE DAMAGE.**

EYE PROTECTION:

ALWAYS WEAR SAFETY GLASSES OR GOGGLES DURING THE INSTALLATION PROCESS TO AVOID PERSONAL INJURY.

MAXIMUM TOWING/CARRYING CAPACITY: (if applicable)

The Westin Receiver Hitches will have a visible tow rating label affixed directly on the product. User should never exceed the vehicle manufacturers maximum tow and weight rating regardless of the capacity of the hitch. **FAILURE TO FOLLOW THESE GUIDELINES WILL VOID THE WESTIN WARRANTY AND MAY RESULT IN PERSONAL INJURY AND/OR INJURY TO OTHERS AS WELL AS VEHICLE DAMAGE.**

FOR CALIFORNIA RESIDENTS ONLY-PROP 65 WARNING:

Some products may contain chemicals such as DEHP, which can cause cancer, birth defects or other reproductive harm. For more info go to www.p65warnings.ca.gov



Westin Automotive Products, Inc.
320 W. Covina Blvd
San Dimas, Ca. 91773