

INSTALLATION INSTRUCTIONS

R5 NERF STEP BARS

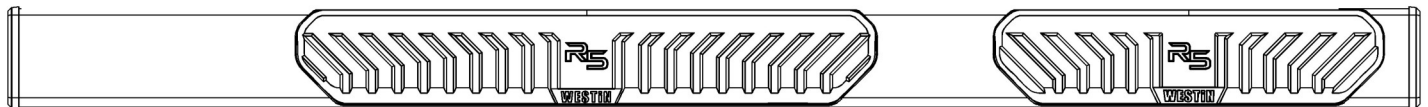


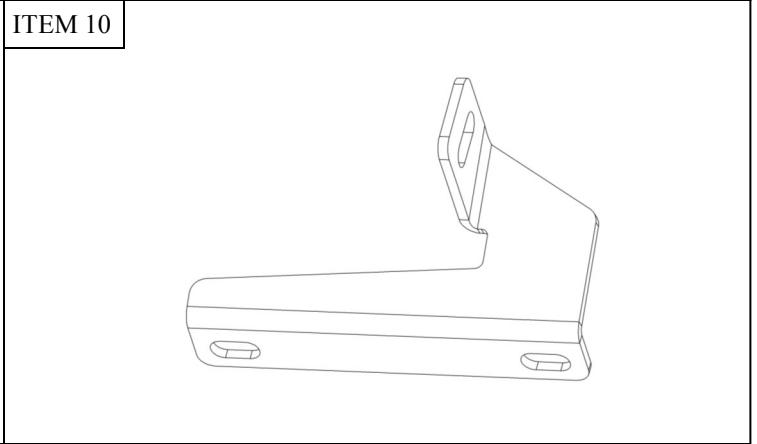
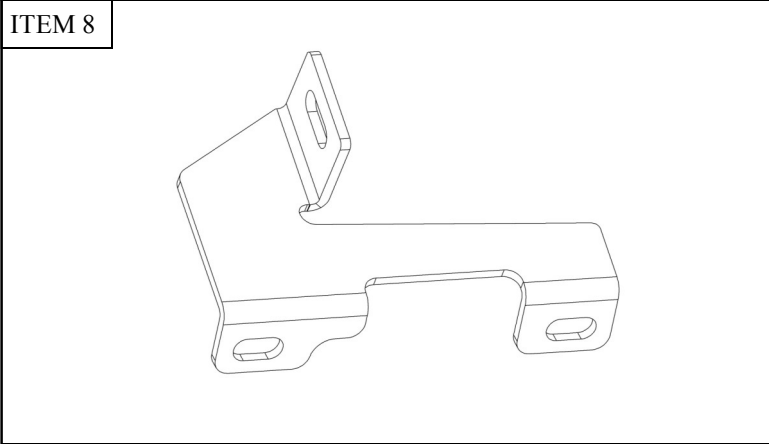
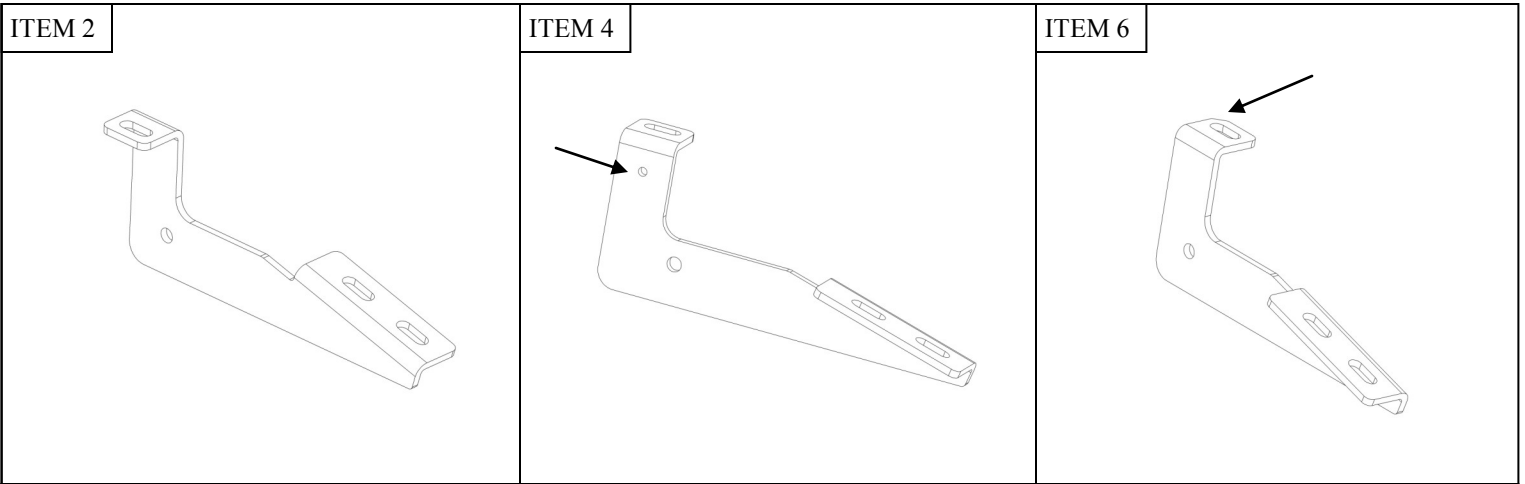
APPLICATION:
2018-2019 Jeep Wrangler JL Unlimited 4Dr
PART NUMBER:
28-51315

CONTENT			
ITEM	QUANTITY	DESCRIPTION	TOOLS NEEDED
1	2	STEP BAR ASSEMBLY (DRIVER, PASSENGER)	13MM SOCKET
2	1	DRIVER FRONT MOUNTING BRACKET	13MM WRENCH
3	1	PASSENGER FRONT MOUNTING BRACKET	ALLEN WRENCH
4	1	DRIVER CENTER MOUNTING BRACKET	RATCHET
5	1	PASSEGER CENTER MOUNTING BRACKET	TORQUE WRENCH
6	1	DRIVER REAR MOUNTING BRACKET	
7	1	PASSENGER REAR MOUNTING BRACKET	
8	1	DRIVER FRONT SUPPORT BRACKET	
9	1	PASSENGER FRONT SUPPORT BRACKET	
10	2	DRIVER CENTER/REAR SUPPORT BRACKET	
11	2	PASSENGER CENTER/REAR SUPPORT BRACKET	
12	6	M8 U-NUT (BLACK)	
13	12	M8 HEX HEAD CAP SCREW (YELLOW ZINC)	
14	24	M8 SPLIT LOCK WASHER (YELLOW ZINC)	
15	18	M8 HEX NUT (YELLOW ZINC)	
16	30	M8 FLAT WASHER (YELLOW ZINC)	
17	12	M8 SQUARE HEAD BOLT (YELLOW ZINC)	
18	24	M8 FLAT WASHER (BLACK ZINC)	
19	12	M8 BUTTON HEAD CAP SCREW (BLACK ZINC)	
20	12	M8 HEX NUT (BLACK ZINC)	
21	12	M8 SPLIT LOCK WASHER (BLACK ZINC)	

ANTI-SEIZE LUBRICANT MUST BE USED ON ALL STAINLESS STEEL FASTENERS TO PREVENT THREAD DAMAGE AND GALLING

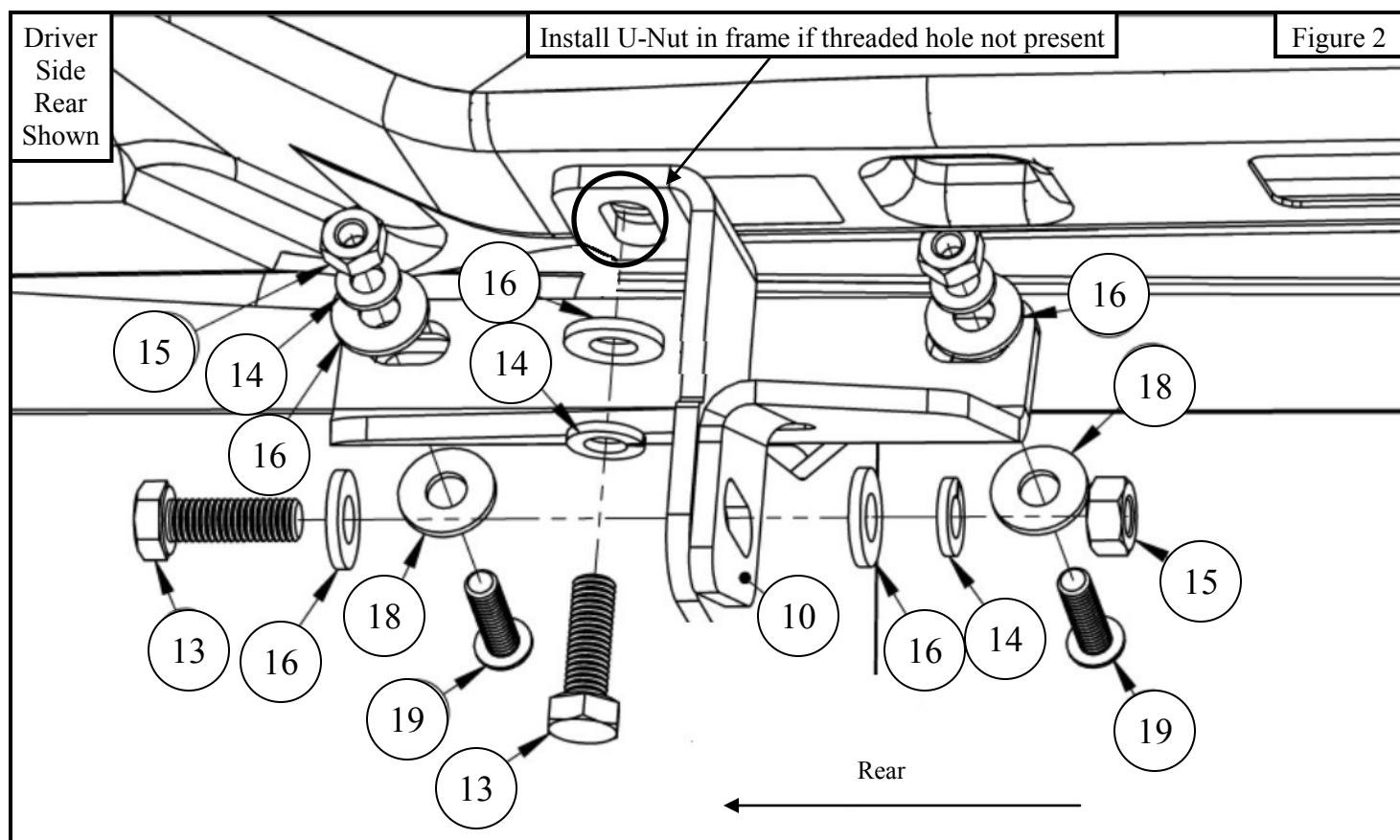
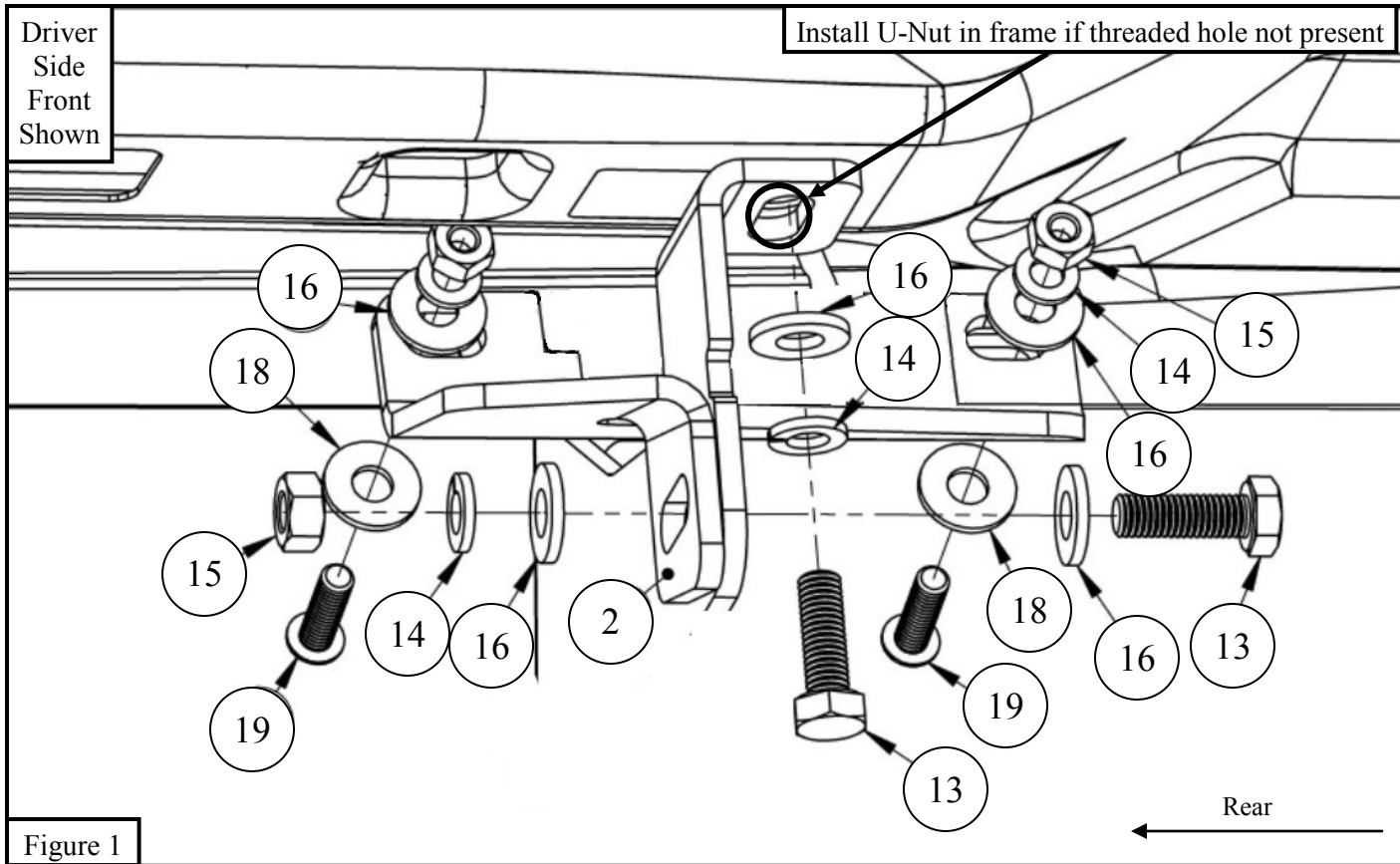
ITEM 1



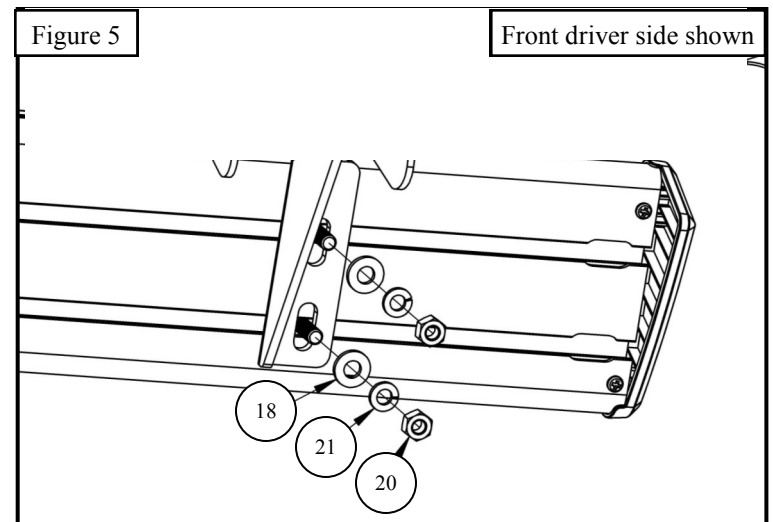
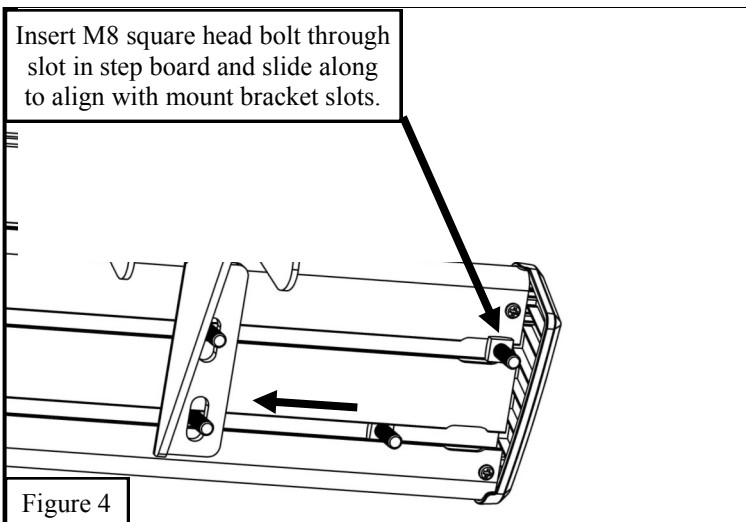
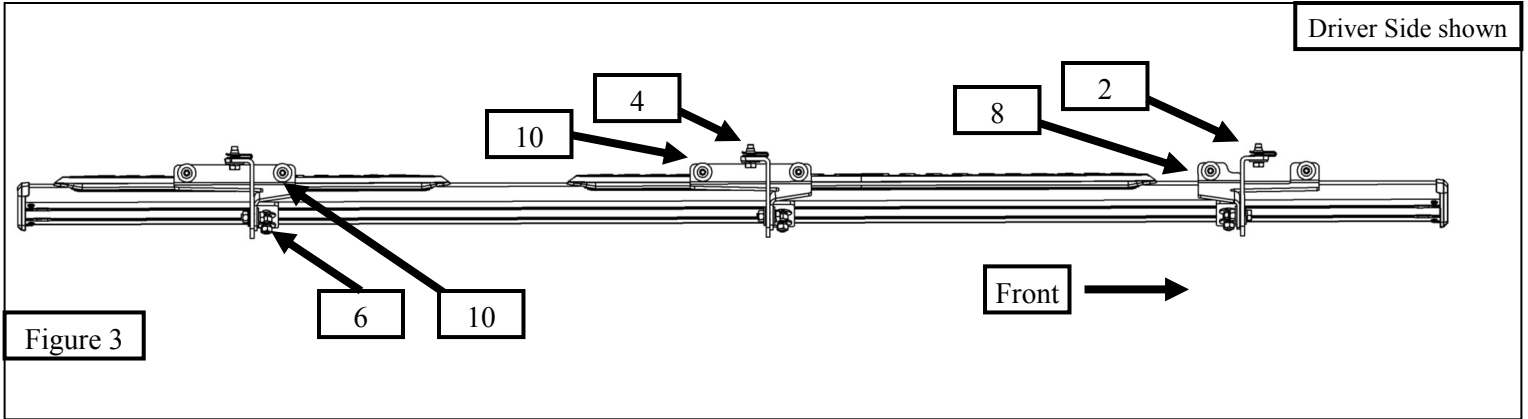


PROCEDURE

- Remove contents from box, verify if all parts listed are present and free from damage. Carefully read and understand all instructions before attempting installation.
Failure to identify damage before installation could lead to a rejection of any claim.
- Starting at the front mount location, locate (1) Front Mount Bracket and (1) Front Support Bracket. Loosely secure brackets, using: (4) M8 hex head cap screws, (1) M8 extruded u-nut, (4) M8 split lock washers, (3) M8 hex nuts, (5) M8 flat washers, **See Figure 1. Note:** M8 extruded u-nut is only used if a threaded hole is not present (circled on **Figure 1**). **See Figure 1.**
- For the rear mounting location, locate (1) Rear Mount Bracket and (1) Rear Support Bracket. Loosely secure brackets, using: (4) M8 hex head cap screws, (1) M8 extruded u-nut, (4) M8 split lock washers, (3) M8 hex nuts, (5) M8 flat washers. **Note:** M8 extruded u-nut is only used if a threaded hole is not present. **See Figure 2.**



4. Mount the center brackets in the same orientation as the rear brackets.
6. Repeat **Steps 2-4** on the passenger side. See **Figure 3** for visual bracket orientation.
7. Locate (1) driver side step board and (6) M8 square head bolts . Slide the M8 square head bolts through the slots underneath the step board and align with the previously installed mount brackets. Repeat for passenger side. See **Figure 4**.
8. Loosely secure the step board onto each mount bracket using (2) M8 hex nuts, (2) M8 split lock washers, and (2) M8 flat washers. See **Figure 5**.



9. Align step bar and brackets to desired positioning then torque and tighten all M8 hardware to 16 ft-lbs.

INSTALLATION COMPLETED



©2019 WESTIN AUTOMOTIVE PRODUCTS, INC. ALL RIGHTS RESERVED

CARE INSTRUCTIONS

- REGULAR WAXING IS RECOMMENDED. DO NOT USE ANY TYPE OF POLISH OR WAX THAT MAY CONTAIN ABRASIVES.
- STAINLESS STEEL PRODUCTS CAN BE CLEANED WITH MILD SOAP AND WATER. STAINLESS STEEL POLISH SHOULD BE USED TO POLISH SMALL SCRATCHES.
- GLOSS BLACK FINISHES SHOULD BE CLEANED WITH MILD SOAP AND WATER.

WESTIN

Westin Automotive Products, Inc.
320 W. Covina Blvd
San Dimas, Ca. 91773

Thank you for choosing Westin products
for additional installation assistance please call
Customer Service (800) 793-7846

www.westinautomotive.com



WARNING



Failure to follow these instructions could lead to death, personal injury, and / or property damage.

Failure to follow these instructions could lead to death, personal injury, and / or property damage.

FASTENERS:

All Westin supplied fasteners must be utilized and installed in accordance with the installation instructions and apply torque to the specifications as defined. **DOUBLE CHECK ALL FASTENERS BEFORE INITIAL USE, AND PERIODICALLY IN THE FUTURE TO ENSURE PROPER FUNCTION AND SAFETY.**

DRILLING:

Most Westin products do not require drilling for installation. If drilling is defined as required, use caution when drilling a vehicle. **FAILURE TO REVIEW AN AREA TO BE DRILLED MAY RESULT IN PERSONAL INJURY AND/OR INJURY TO OTHERS AS WELL AS VEHICLE DAMAGE.**

EYE PROTECTION:

ALWAYS WEAR SAFETY GLASSES OR GOGGLES DURING THE INSTALLATION PROCESS TO AVOID PERSONAL INJURY.

MAXIMUM TOWING/CARRYING CAPACITY: (if applicable)

The Westin Receiver Hitches will have a visible tow rating label affixed directly on the product. User should never exceed the vehicle manufacturers maximum tow and weight rating regardless of the capacity of the hitch. **FAILURE TO FOLLOW THESE GUIDELINES WILL VOID THE WESTIN WARRANTY AND MAY RESULT IN PERSONAL INJURY AND/OR INJURY TO OTHERS AS WELL AS VEHICLE DAMAGE.**

FOR CALIFORNIA RESIDENTS ONLY-PROP 65 WARNING:

Some products may contain chemicals such as DEHP, which can cause cancer, birth defects or other reproductive harm. For more info go to www.p65warnings.ca.gov



Westin Automotive Products, Inc.
320 W. Covina Blvd
San Dimas, Ca. 91773