



SIGNATURE OF QUALITY

AUTOMOTIVE PRODUCTS, INC.

INSTRUCTIONS—INSTRUCCIONES—CONSIGNES

CLASS I RECEIVER HITCH
APPLICATION: 2006-2014 Toyota RAV4
APP PART # 65-1125

ITEM	QUANTITY	DESCRIPTION	TOOLS NEEDED
1	1	MAIN HITCH ASSY	18MM SOCKET
2	1	DRIVER SIDE MOUNTING BRACKET	16MM SOCKET
3	1	PASSENGER SIDE MOUNTING BRACKET	17MM SOCKET
4	4	M12 HEX CAP SCREW	RATCHET
5	4	M12 SPLIT LOCK WASHER	TORQUE WRENCH
6	4	M12 FLAT WASHER	
7	8	M10 HEX CAP SCREW	
8	8	M10 FLAT WASHER	
9	8	M10 SPLIT LOCK WASHER	

ANTI-SEIZE LUBRICANT MUST BE USED ON ALL STAINLESS STEEL FASTENERS TO PREVENT THREAD DAMAGE AND GALLING

1. Remove contents from box, verify if all parts listed are present and free from damage. Carefully read and understand all instructions before attempting installation.
2. Remove the factory tow loop from the driver side uni body channel. This will not be re-installed after the hitch installation. Remove the round black stickers on the passenger side to expose the threaded holes in the channel. FIGURES 2 & 3
3. It is not necessary to lower the exhaust for installation, however it does make installation easier. It can be removed by prying on the rubber isolator with a pry bar or large screwdriver. FIGURE 3
4. Using the supplied M12 hex cap screws, split lock washers and flat washers, attach each bracket to the vehicle. Do not fully tighten at this time. FIGURE 3
5. On most vehicles, the rear muffler has an additional hanger bracket that is not used. This may make contact with the hitch bracket on the passenger side and should be removed. FIGURE 3
6. Assemble the main hitch assembly to the mounting brackets as shown in the diagram on page 2.
7. Align all components as desired and tighten all M12 fasteners to 55-60ft lbs, and all M10 fasteners to 35-40 ft-lbs
8. Re install exhaust if lowered at earlier steps.

CARE INSTRUCTIONS

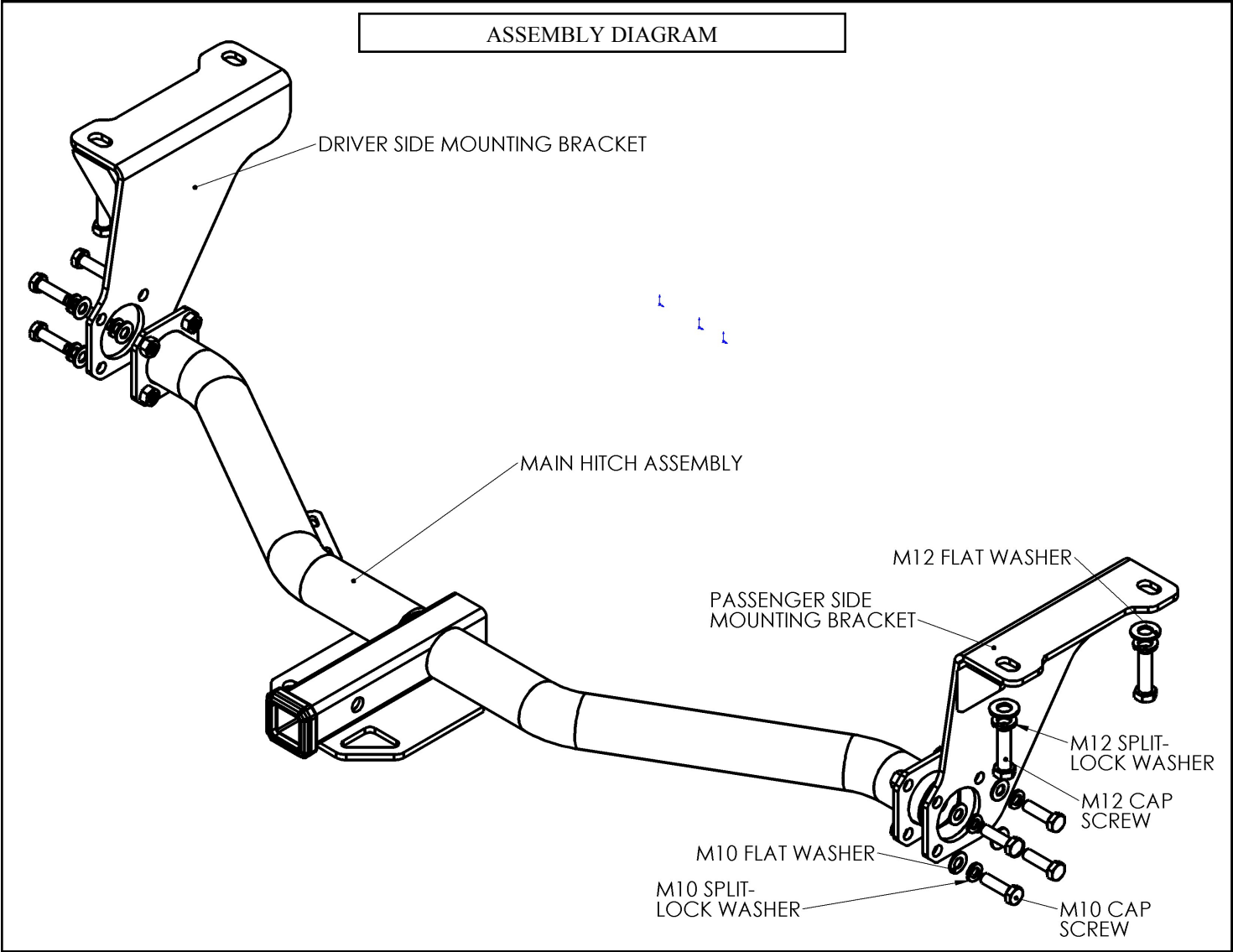
- REGULAR WAXING IS RECOMMENDED. DO NOT USE ANY TYPE OF POLISH OR WAX THAT MAY CONTAIN ABRASIVES
- STAINLESS STEEL PRODUCTS CAN BE CLEANED WITH MILD SOAP AND WATER. STAINLESS STEEL POLISH SHOULD BE USED TO POLISH SMALL SCRATCHES.
- GLOSS BLACK FINISHES SHOULD BE CLEANED WITH MILD SOAP AND WATER



Westin Automotive Products, Inc.
320 W. Covina Blvd
San Dimas, Ca. 91773

Thank You for choosing Westin products
For Additional installation assistance please call
Customer service (800) 793-7846
www.westinautomotive.com

ASSEMBLY DIAGRAM



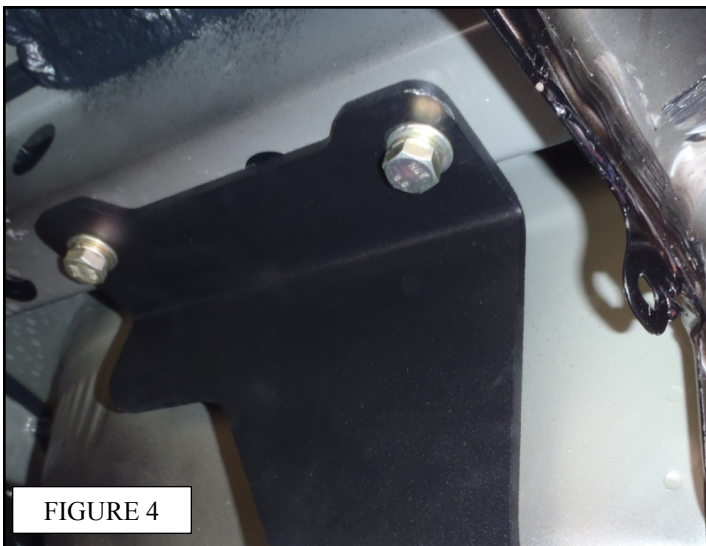
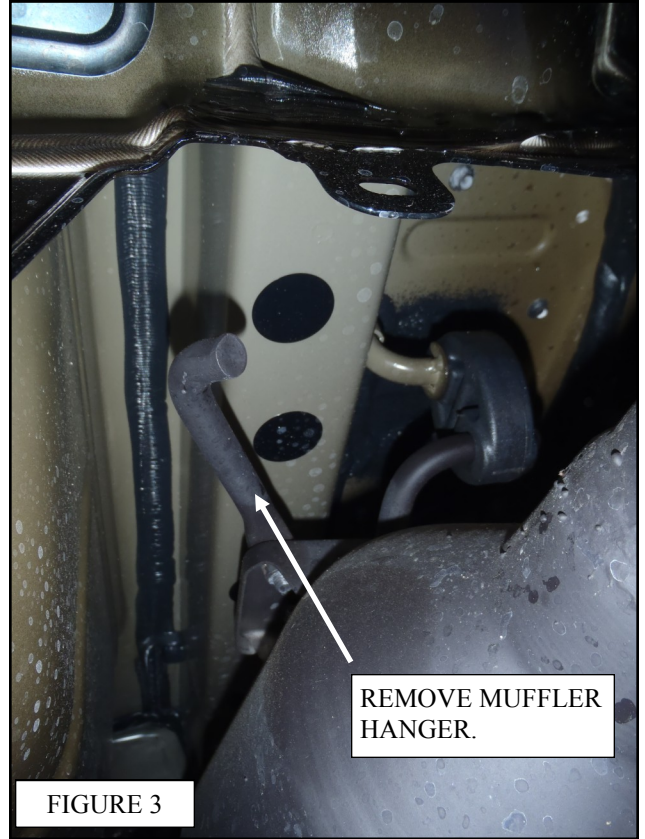
Westin Automotive Products, Inc.
320 W. Covina Blvd
San Dimas, Ca. 91773

Thank You for choosing Westin products
For Additional installation assistance please call
Customer service (800) 793-7846
www.westinautomotive.com

DRIVER SIDE TOW HOOK



PASS SIDE VIEW OF EXHAUST





AUTOMOTIVE PRODUCTS, INC.
San Dimas, California

WARNINGS & NOTICES FOR THE INSTALLATION OF WESTIN TOWING PRODUCTS - CLASS III RECEIVER HITCH

NOTICE

Westin Receiver Hitches are designed to accommodate a 2" - square receiver draw bar rated for class III/IV towing. Closely follow all Westin Installation Instructions for the proper installation of product. Improper installation can result in death, serious injury, and/or product and vehicle damage. In the operation of these products, it is imperative to observe precautions for your personal safety and the safety of others.

WARNING

Failure to follow these instructions could lead to death, personal injury, and / or property damage.

FASTENERS:

All Westin supplied fasteners must be utilized and installed in accordance with the installation instructions and apply torque to the specifications as defined. **DOUBLE CHECK ALL FASTENERS BEFORE INITIAL USE, AND PERIODICALLY IN THE FUTURE TO ENSURE PROPER FUNCTION AND SAFETY.**

DRILLING:

Most Westin products do not require drilling for installation. If drilling is defined as required, use caution when drilling a vehicle. **FAILURE TO REVIEW AN AREA TO BE DRILLED MAY RESULT IN PERSONAL INJURY AND/OR INJURY TO OTHERS AS WELL AS VEHICLE DAMAGE.**

EYE PROTECTION:

ALWAYS WEAR SAFETY GLASSES OR GOGGLES DURING THE INSTALLATION PROCESS TO AVOID PERSONAL INJURY.

MAXIMUM TOWING/CARRYING CAPACITY:

The Westin Receiver Hitches will have a visible tow rating label affixed directly on the product. User should never exceed the vehicle manufacturers maximum tow and weight rating regardless of the capacity of the hitch. **FAILURE TO FOLLOW THESE GUIDELINES WILL VOID THE WESTIN WARRANTY AND MAY RESULT IN PERSONAL INJURY AND/OR INJURY TO OTHERS AS WELL AS VEHICLE DAMAGE.**



Westin Automotive Products, Inc.
320 W. Covina Blvd
San Dimas, Ca. 91773