

# INSTALLATION INSTRUCTIONS

**GASOLINE TRUCKS ONLY  
RUNNING BOARD MOUNT KIT**



**APPLICATION:**

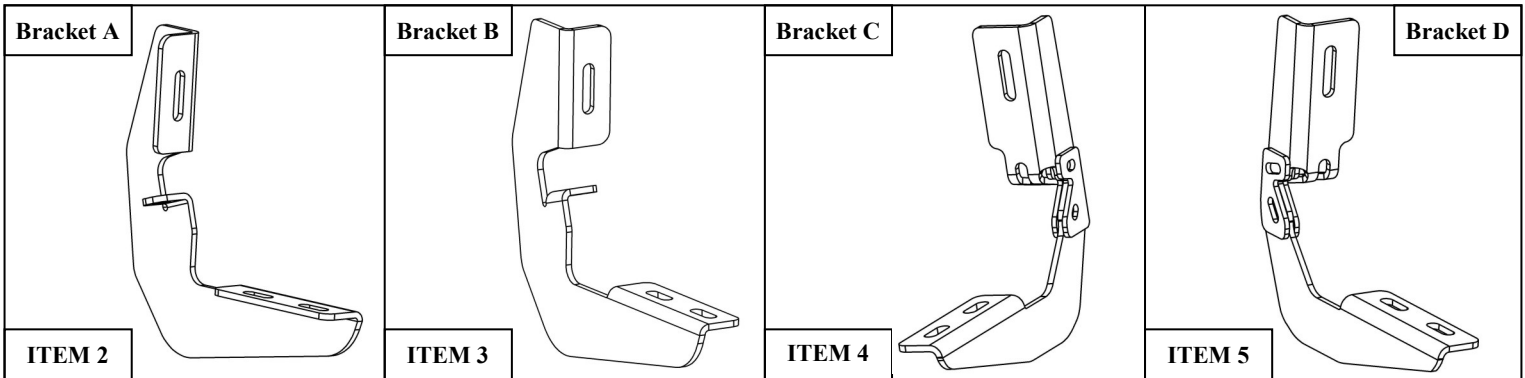
2014-2018 Chevrolet Silverado/GMC Sierra 1500 Ext./Double/Crew Cab  
2015-2018 Chevrolet Silverado/GMC Sierra 2500/3500 Double/Crew Cab

**PART NUMBER:**

27-2145

ITEM	QUANTITY	DESCRIPTION	TOOLS NEEDED
1	2	STEP BOARD (SOLD SEPERATELY)	13MM SOCKET
2	2	MOUNT BRACKET A	13MM WRENCH
3	2	MOUNT BRACKET B	RATCHET
4	1	MOUNT BRACKET C	TORQUE WRENCH
5	1	MOUNT BRACKET D	
6	12	M8 HEX HEAD BOLT (YELLOW ZINC)	
7	6	M8 HEX NUT (YELLOW ZINC)	
8	6	M8 EXTRUDED U-NUT (YELLOW ZINC)	
9	12	M8 SQUARE HEAD BOLT (YELLOW ZINC)	
10	30	M8 FLAT WASHER (YELLOW ZINC)	
11	12	M8 LOCK WASHER (YELLOW ZINC)	
12	12	M8 LOCK NUT (YELLOW ZINC)	

**ANTI-SEIZE LUBRICANT MUST BE USED ON ALL STAINLESS STEEL FASTENERS TO PREVENT THREAD DAMAGE AND GALLING**



**PROCEDURE**

1. Remove contents from box, verify if all parts listed are present and free from damage.  
Carefully read and understand all instructions before attempting installation.  
**Failure to identify damage before installation could lead to a rejection of any claim.**

2. Locate, on both rocker panel sides, black rubber plugs and remove them, see **Figure 7**. Install M8 U-nut clips (Item 8) as shown in **Figure 7**. Take the mounting brackets and install the brackets loosely to the corresponding mount locations, see **Figure 8**. Brackets used for the passenger side are (2) Bracket A (Item 2), (1) Bracket D (Item 5). Driver side will use brackets (2) Bracket B and (1) Bracket C (Item 4). Installation procedure for driver side is same as passenger side. Do not fully tighten at this time.

**Note: On 1500 Crew Cab models, front positions will have a welded nut on pinch weld and must refer to Figure 8 for bracket installation.**

3. Insert square head bolts as shown (2 per slot, 4 per board). See **Figures 2 and 3**.

**Note: For lighted boards, route wiring harness prior to attaching the board to the brackets (refer to Step 5). See Figures 2 and 3. Run the longer wire harness on the passenger side.**

4. For Sure-Grip Running Boards, slide Sure Grip Gap strip as shown. Set lights (optional) in appropriate location. Attach to Sure-Grip Running Board as shown. See **Figure 2**. Drill hole through plastic strip and run wires as shown. See **Figure 4**.
5. Attach board to brackets as shown. Make sure board and brackets are properly aligned and tighten fasteners. Recommended torque values are 10 ft-lbs. for M8 square head fasteners and 18 ft-lbs. for M8 hex head bolt. See **Figure 5**.

**NOTE: For lighted version of Step board, remove plastic cover from each end of under side of Step board.**

**WARNING: INSTALLING LIGHT HARNESS REQUIRES SPLICING INTO VEHICLES ELECTRICAL SYSTEM. WESTIN RECOMMENDS USING A PROFESSIONAL FOR THIS INSTALLATION. NOTE: AVOID AREAS OF EXCESSIVE HEAT, VIBRATION, PINCH OR ROTATION WHEN SECURING HARNESS TO VEHICLE. CAUTION: ALWAYS USE A FUSED(+) POSITIVE SUPPLY SOURCE. UNDERCOAT SEAL FOR HARSH WEATHER.**

**HINT:** Step boards: For Longevity, check rubber seals before installation. Rubber grommets around red and blue wires going into rear sockets, should be inserted and recessed about 1/4". **NOTE:** Remove bulbs and apply white grease into sockets and replace bulbs. Apply RTV Silicone where lights go into socket. Install lights and run wire loom as shown. See **Figure 3**. For Sure-Grip Running Boards, run wire loom down center as shown. See **Figure 2**.

6. Determine whether your vehicle has a positive or negative switching courtesy system or an auxiliary light source. Obtain an accurate wiring diagram for your vehicle's courtesy light system.

#### **For positive and negative switching:**

Locate a pass-through point (usually under carpet at driver side door sill) for the wire harness. Locate main courtesy wire (usually wire lead to dome light). **NOTE:** If you do not use the main courtesy wire, lights will only function when one door is open. Route wire harness so that the 2 female connections (from step board) are nearest to pass thru point. \*Connect opposite step board lead to either connection. Connect the splicing lead to remaining female socket and route one wire thru pass thru point. See **Figure 6**.

**VERY IMPORTANT - Double check that your system has positive or negative switching.**

**For positive switching only:** Connect positive wire to main courtesy system, (usually wire lead to dome light). TEST CONTINUITY BEFORE CONNECTING BY OPENING AND CLOSING ALL DOORS. Ground remaining wire.

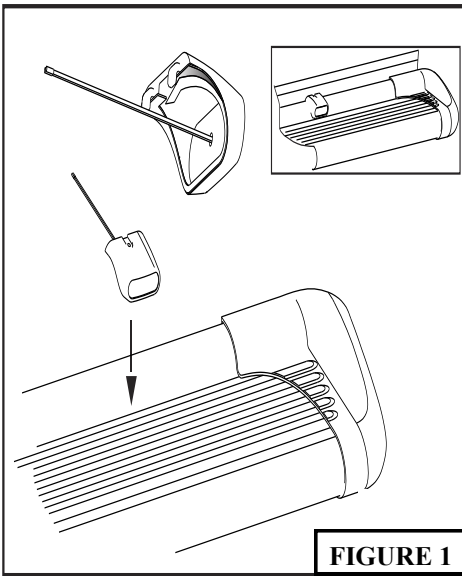
**For negative switching only:** Connect negative wire to main courtesy system, (usually wire lead to dome light but sometimes from dome light to courtesy ECU). TEST GROUND CONTINUITY BEFORE CONNECTING BY OPENING AND CLOSING ALL DOORS. Connect remaining wire to battery using a 5A fuse.

**\*\*Be sure that you have not routed any wires near moving parts (i.e.. driveshaft) or near any heat generating source (i.e.. transmission, engine, exhaust).**

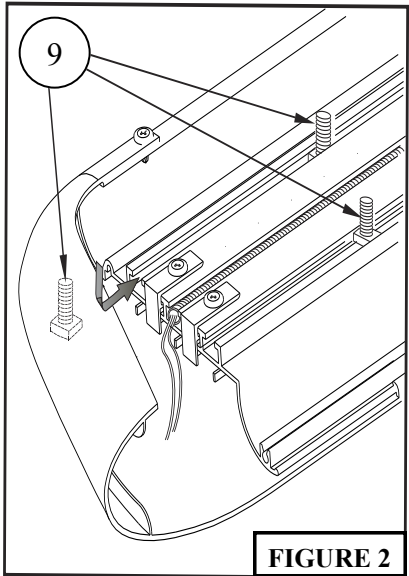
#### **Auxiliary Light source:**

Locate auxiliary light source connection under vehicle, usually attached to back side of front or rear fender well (refer to vehicles owners manual). SEE **FIGURE 6**. TEST SOURCE BEFORE CONNECTING. Connect splicing leads to aux light source. Test step board lights for proper function by opening and closing doors.

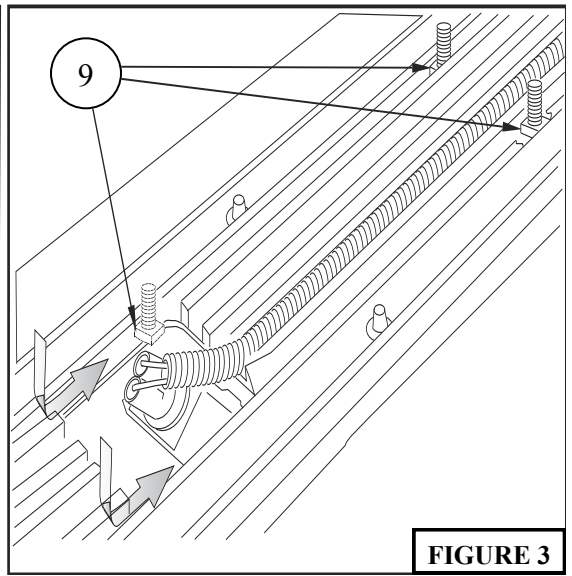
7. Under-coat board, brackets and electrical wires, connections and lenses for harsh weather conditions. Reinstall plastic cover on under-side of Step.



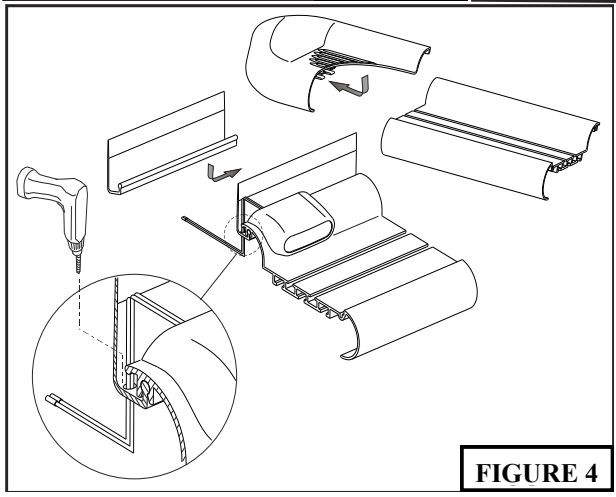
**FIGURE 1**



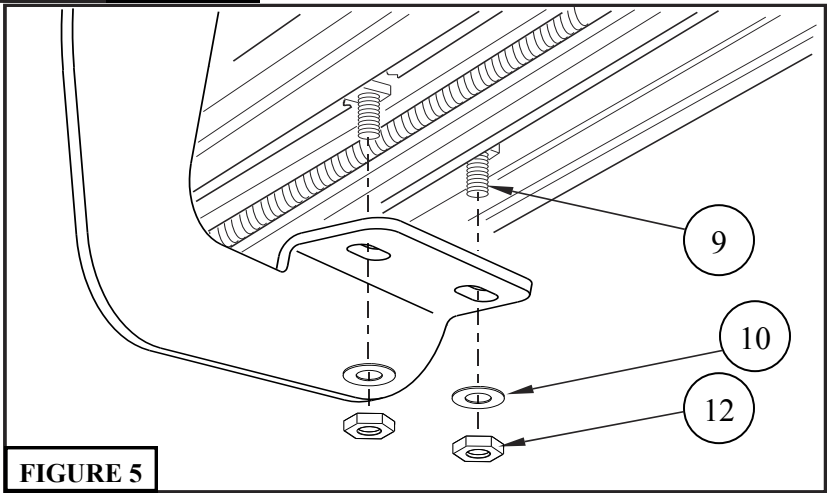
**FIGURE 2**



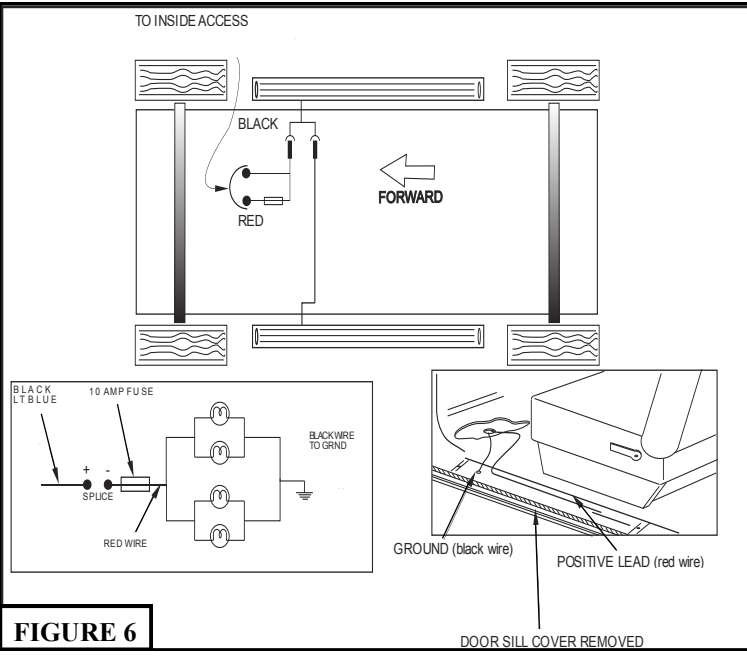
**FIGURE 3**



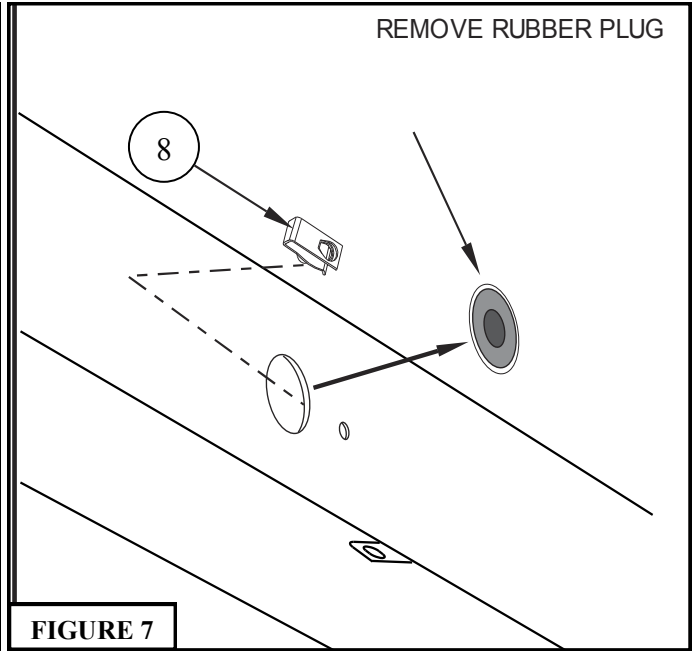
**FIGURE 4**



**FIGURE 5**

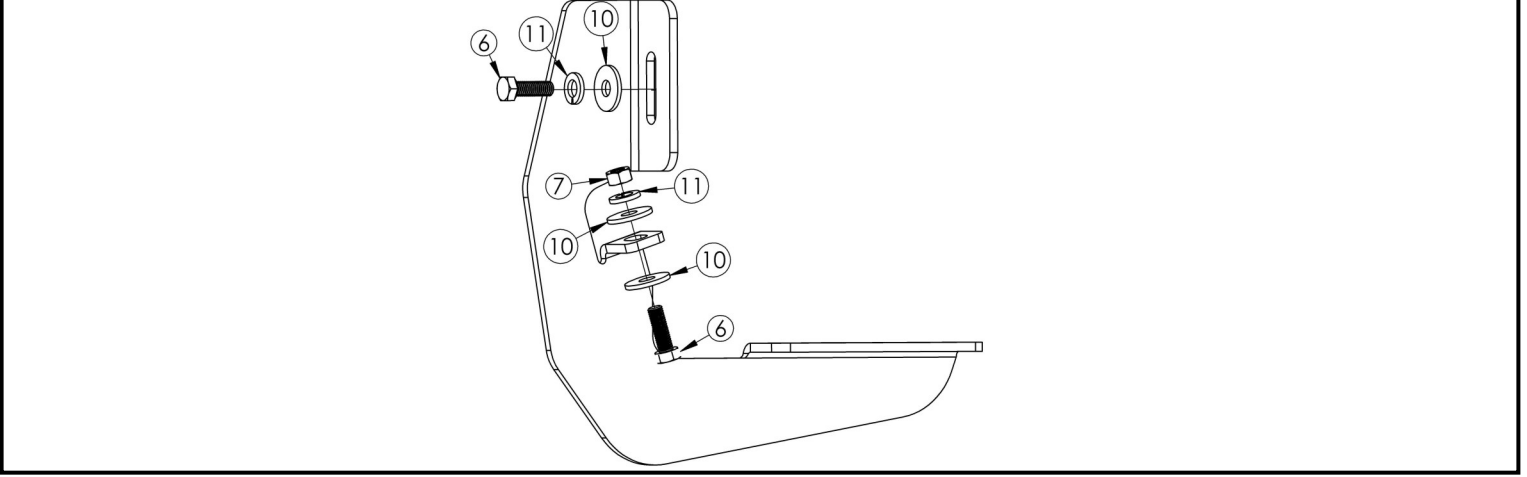
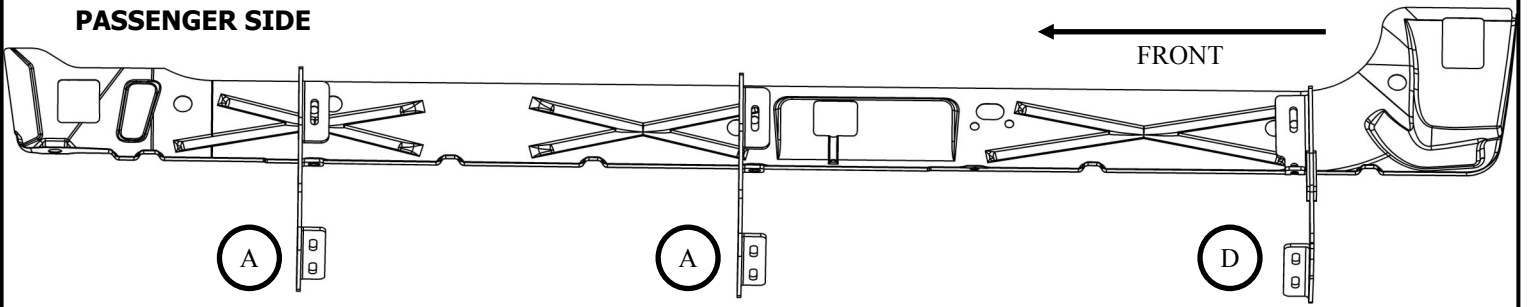
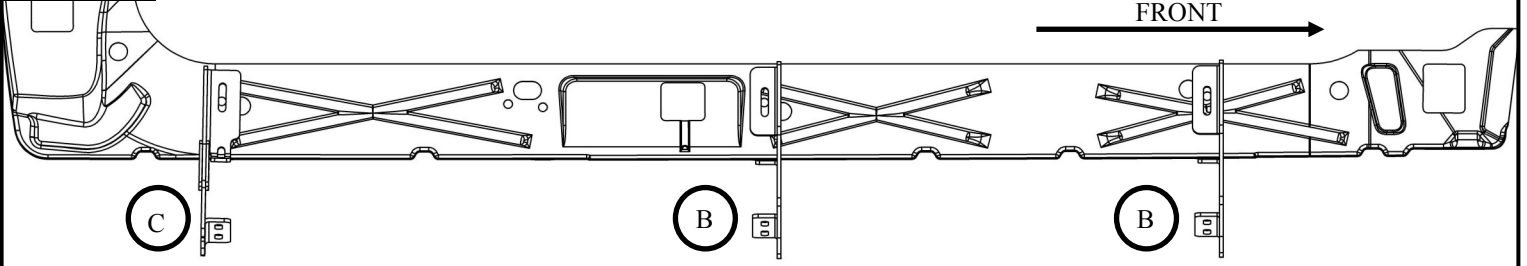


**FIGURE 6**



**FIGURE 7**

**FIGURE 8 DRIVER SIDE ALL 2014-UP GAS SILVERADO/SIERRA: EXTENDED & DOUBLE CAB/CREW CAB**



**WESTIN** Westin Automotive Products, Inc.  
320 W. Covina Blvd  
San Dimas, Ca. 91773

Thank you for choosing Westin products  
for additional installation assistance please call  
Customer Service (800) 793-7846  
www.westinautomotive.com



## WARNING



Failure to follow these instructions could lead to death, personal injury, and / or property damage.

**FASTENERS:**

All Westin supplied fasteners must be utilized and installed in accordance with the installation instructions and apply torque to the specifications as defined. **DOUBLE CHECK ALL FASTENERS BEFORE INITIAL USE, AND PERIODICALLY IN THE FUTURE TO ENSURE PROPER FUNCTION AND SAFETY.**

**DRILLING:**

Most Westin products do not require drilling for installation. If drilling is defined as required, use caution when drilling a vehicle. **FAILURE TO REVIEW AN AREA TO BE DRILLED MAY RESULT IN PERSONAL INJURY AND/OR INJURY TO OTHERS AS WELL AS VEHICLE DAMAGE.**

**EYE PROTECTION:**

**ALWAYS WEAR SAFETY GLASSES OR GOGGLES DURING THE INSTALLATION PROCESS TO AVOID PERSONAL INJURY.**

**MAXIMUM TOWING/CARRYING CAPACITY:**

The Westin Receiver Hitches will have a visible tow rating label affixed directly on the product. User should never exceed the vehicle manufacturers maximum tow and weight rating regardless of the capacity of the hitch. **FAILURE TO FOLLOW THESE GUIDELINES WILL VOID THE WESTIN WARRANTY AND MAY RESULT IN PERSONAL INJURY AND/OR INJURY TO OTHERS AS WELL AS VEHICLE DAMAGE.**