



AUTOMOTIVE PRODUCTS, INC.

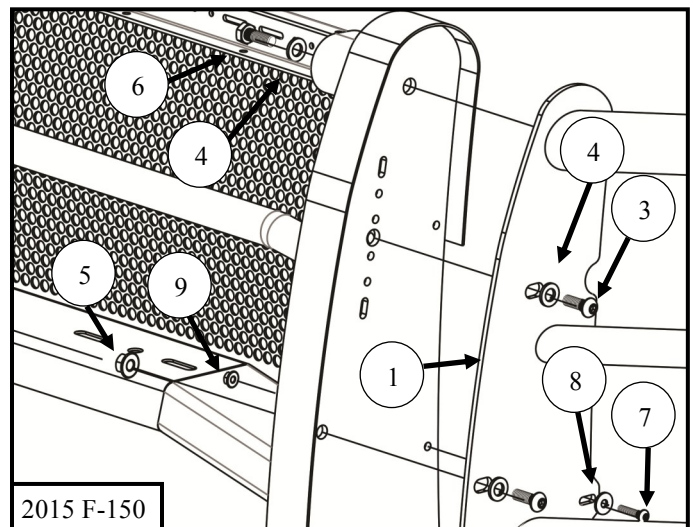
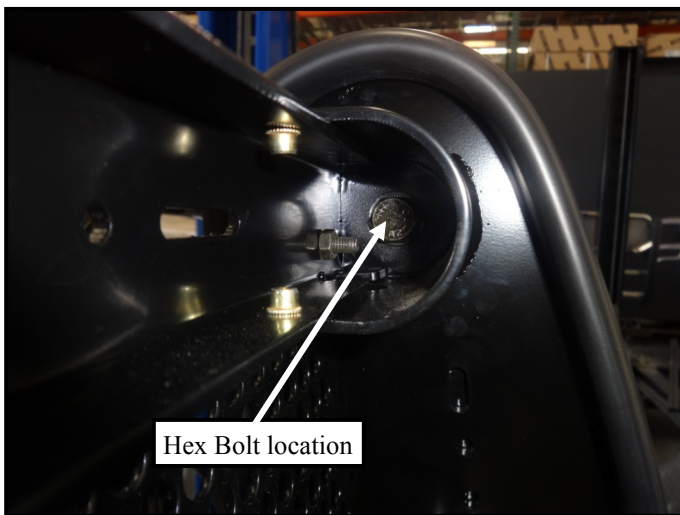
INSTALLATION INSTRUCTIONS

APPLICATION: POLICE WING WRAP / 2015 & UP FORD F-150, 2013 & UP DODGE RAM 1500 SSV
 APP PART # 36-52065W, 36-53545W, 36-53685W, 36-53805W

ITEM	QUANTITY	DESCRIPTION	TOOLS NEEDED
1	1	WING WRAP ASSEMBLY DRIVER SIDE	RATCHET
2	1	WING WRAP ASSEMBLY PASSENGER SIDE	TORQUE WRENCH
3	4	M10 HEX BUTTON HEAD SCREW (STAINLESS)	ALLEN WRENCH
4	6	M10 CUP WASHER (STAINLESS)	16MM SOCKET
5	4	M10 SERRATED FLANGE NUT (STAINLESS)	10MM SOCKET
6	2	M10 HEX HEAD CAP SCREW (STAINLESS)	15MM SOCKET
7	2	M6 BUTTON HEAD SCREW (STAINLESS)	SOCKET EXT.
8	2	M6 FLAT WASHER 18MM OD (STAINLESS)	
9	2	M6 SERRATED FLANGE NUT (STAINLESS)	

ANTI-SEIZE LUBRICANT MUST BE USED ON ALL STAINLESS STEEL FASTENERS TO PREVENT THREAD DAMAGE AND GALLING .

1. Remove contents from box, verify if all parts listed are present and undamaged. Carefully read and understand all instructions before attempting installation. **Failure to identify damage before installation could lead to a rejection of any claim.**
2. Install the Police Push Bumper (36-52065/36-53545/36-53685/36-53805) to the front of vehicle. Refer to I/S 75-1101/75-1085/75-1034/75-0688 for information on push bar installation.
3. One side at a time loosely install each Wing Wrap to the Push Bar uprights using the supplied M10 and M6 hardware. (Note: The M10 Hex Bolt threads into a welded nut on the inside the wing wrap.)
4. Align and adjust the Wing Wraps as necessary then tighten and torque all fasteners as follows: M6 to 7-9 ft-lbs., M10 to 30– 35 ft-lbs.



CARE INSTRUCTIONS

- REGULAR WAXING IS RECOMMENDED. DO NOT USE ANY TYPE OF POLISH OR WAX THAT MAY CONTAIN ABRASIVES.
- STAINLESS STEEL PRODUCTS CAN BE CLEANED WITH MILD SOAP AND WATER. STAINLESS STEEL POLISH SHOULD BE USED TO POLISH SMALL SCRATCHES.

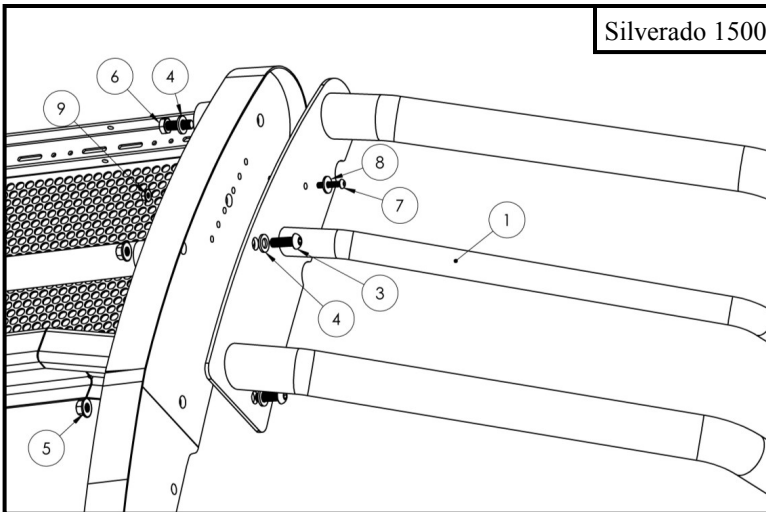
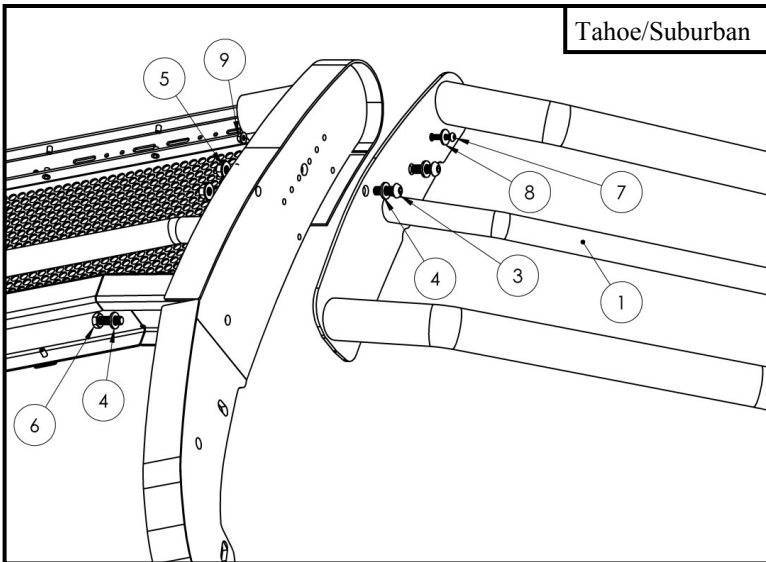
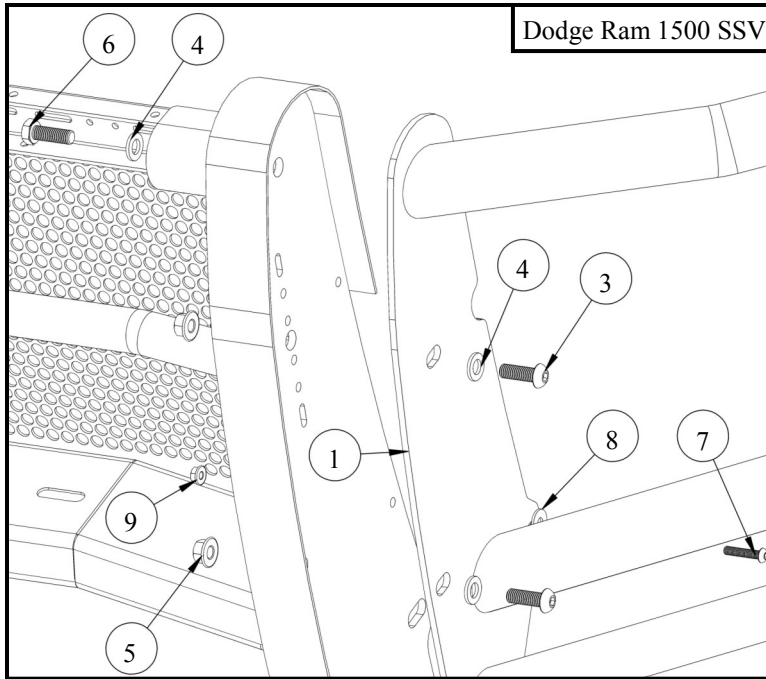


Westin Automotive Products, Inc.
 320 Covina Blvd
 San Dimas, Ca. 91773

P.N.: 75-3056 REV C

ECO #: W15-0045

Thank You for choosing Westin products
 For Additional installation assistance please call
 Customer service (800) 793-7846
www.westinautomotive.com



Westin Automotive Products, Inc.
320 Covina Blvd
San Dimas, Ca. 91773

Thank You for choosing Westin products
For Additional installation assistance please call
Customer service (800) 793-7846
www.westinautomotive.com



Westin Automotive Products, Inc.
320 Covina Blvd
San Dimas, Ca. 91773

P.N.: 75-3056 REV C

ECO #: W15-0045

3

Thank You for choosing Westin products
For Additional installation assistance please call
Customer service (800) 793-7846
www.westinautomotive.com

DATE: 7/9/15