



INSTALLATION INSTRUCTIONS

STEP BOARD MOUNT KIT

APPLICATION:

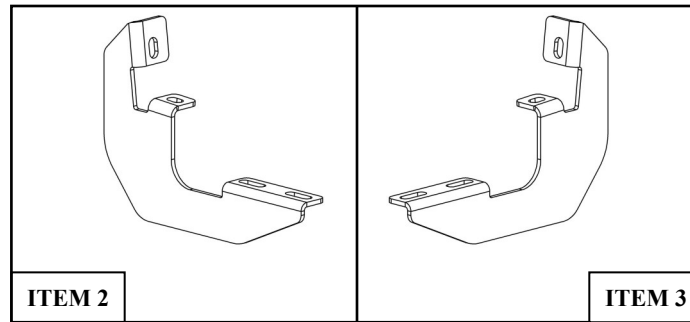
2015-2019 Chevrolet Colorado / GMC Canyon Crew Cab

PART NUMBER:

27-2205

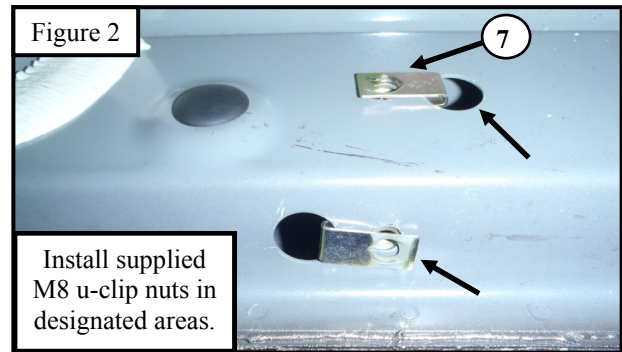
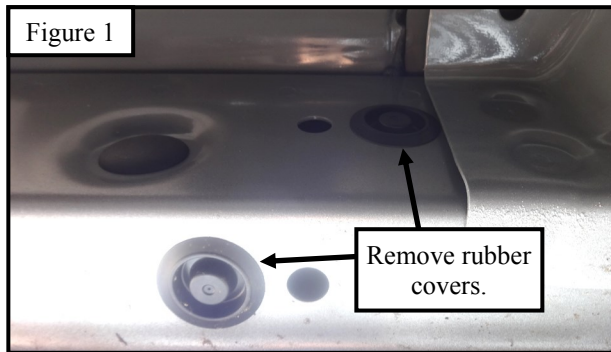
ITEM	QUANTITY	DESCRIPTION	TOOLS NEEDED
1	2	RUNNING BOARD, DRIVER AND PASSENGER (SOLD SEPARATELY)	13MM SOCKET
2	3	MOUNTING BRACKET A	13MM WRENCH
3	3	MOUNTING BRACKET B	RATCHET
4	12	M8 HEX HEAD CAP SCREW (YELLOW ZINC)	TORQUE WRENCH
5	24	M8 FLAT WASHER (YELLOW ZINC)	
6	24	M8 SPLIT LOCK WASHER (YELLOW ZINC)	
7	12	M8 U-NUT (YELLOW ZINC)	
8	12	M8 SQUARE HEAD BOLT (YELLOW ZINC)	
9	12	M8 HEX NUT (YELLOW ZINC)	

ANTI-SEIZE LUBRICANT MUST BE USED ON ALL STAINLESS STEEL FASTENERS TO PREVENT THREAD DAMAGE AND GALLING

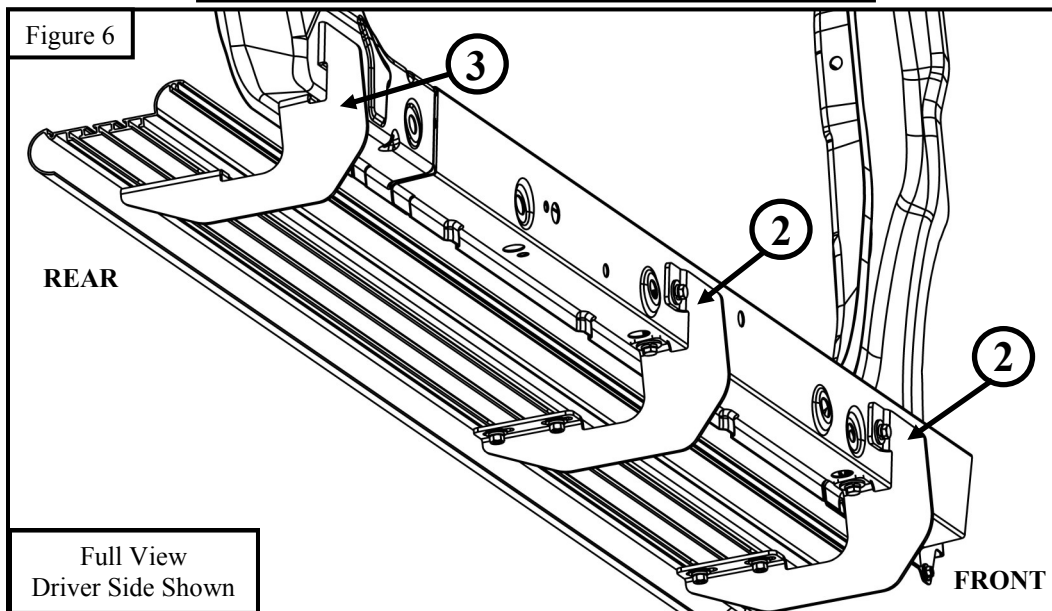
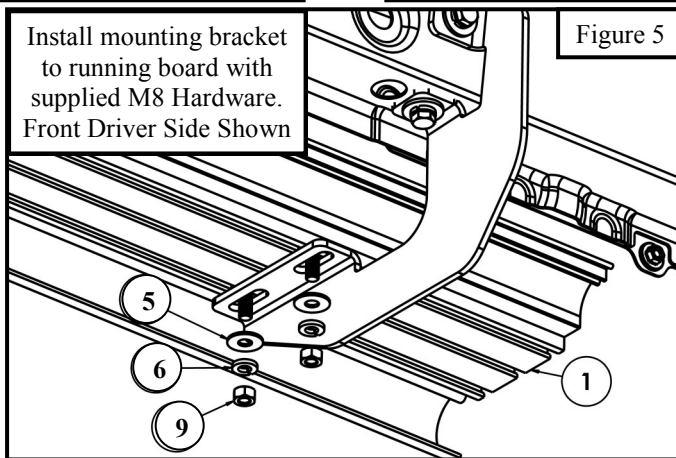
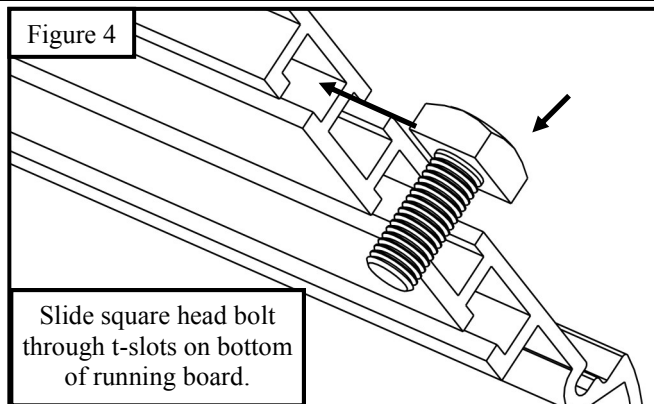
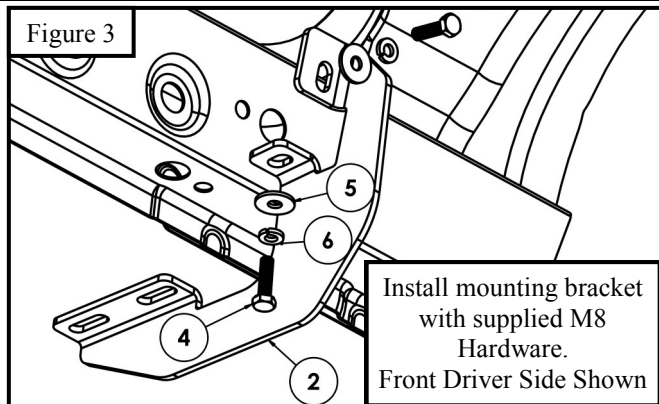


PROCEDURE

1. Remove contents from box, verify if all parts listed are present and free from damage. Carefully read and understand all instructions before attempting installation.
Failure to identify damage before installation could lead to a rejection of any claim.
2. If the vehicle has plastic covers, remove the designated covers from the rocker panel where mounts will be placed, see **Figure 1**.
3. Install M8 u-clip nuts in the holes where the plastic covers were removed. See **Figure 2**.



4. Loosely install mounting brackets to the previously installed M8 u-clips with the supplied M8 hardware (Items 4-6). See **Figure 3**. **Note:** The middle bracket will be closer to the front bracket than to the rear bracket. See **Figure 6** for orientation and direction of brackets.
5. Loosely install the running board to the previously installed mounting brackets with supplied M8 hardware (Items 5,6,8,9). See **Figure 5**. **Note:** Slide square head bolts through t-slots underneath running board, see **Figure 4**.
6. Align and adjust as necessary then torque M8 hardware to 15-18 ft-lbs. **Note:** For lighted version of Molded Step Board, remove plastic cover from each end of under side of board. Proceed to **Page 4** for wiring harness instructions.



FOR MOLDED RUNNING BOARDS:

WARNING: INSTALLING LIGHT HARNESS REQUIRES SPLICING INTO VEHICLE'S ELECTRICAL SYSTEM. WESTIN RECOMMENDS USING A PROFESSIONAL FOR THIS INSTALLATION. **NOTE:** AVOID AREAS OF EXCESSIVE HEAT, VIBRATION, PINCH OR ROTATION WHEN SECURING HARNESS TO VEHICLE. **CAUTION:** ALWAYS USE A FUSED (+) POSITIVE SUPPLY SOURCE. UNDERCOAT SEAL FOR HARSH WEATHER.

HINT: Molded Step Boards: For longevity, check rubber seals before installation. Rubber grommets around red and blue wires going into rear sockets, should be inserted and recessed about 1/4". **NOTE:** Remove bulbs and apply white grease into sockets and replace bulbs. Apply RTV Silicone where lights go into socket.

7. Determine whether your vehicle has a positive or negative switching courtesy system or an auxiliary light source. Obtain accurate wiring diagram for your vehicle's courtesy light system.

For positive and negative switching: Locate a pass-through point (usually under carpet at driver side door sill) for the wire harness. Locate main courtesy wire (usually wire lead to dome light). **NOTE:** If you do not use the main courtesy wire, lights will only function when one door is open. Route wire harness so that the 2 female connections (from the step board) are nearest to pass thru point. See **Figure 7**.

VERY IMPORTANT - Double check that your system has positive or negative switching.

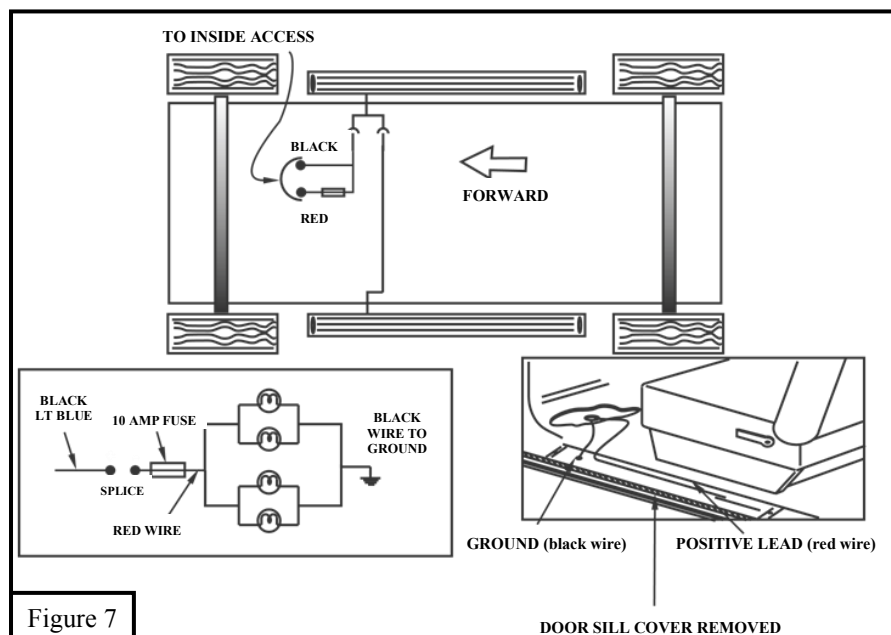
For positive switching only: Connect positive wire to main courtesy system, (usually wire lead to dome light). TEST CONNECTIVITY BEFORE CONNECTING BY OPENING AND CLOSING ALL DOORS. Ground remaining wire.

For negative switching only: Connect negative wire to main courtesy system, (usually wire lead to dome light but sometimes from dome light to courtesy ECU). TEST GROUND CONTINUITY BEFORE CONNECTING BY OPENING AND CLOSING ALL DOORS. Connect remaining wire to battery using a 5A fuse.

**Be sure that you have not routed any wires near moving parts (i.e.. Driveshaft) or near any heat generating source (i.e.. Transmission, engine, exhaust).

Auxiliary Light source: Locate auxiliary light source connection under vehicle, usually attached to back side of front or rear fender well (refer to vehicles owners manual). See **Figure 7**. TEST SOURCE BEFORE CONNECTING. Connect splicing leads to aux light source. Test step board lights for proper function by opening and closing doors.

8. Under-coat board, brackets and electrical wires, connections and lenses for harsh weather conditions. Reinstall plastic cover on.



INSTALLATION COMPLETED



©2018 WESTIN AUTOMOTIVE PRODUCTS, INC. ALL RIGHTS RESERVED.

SG6 LED Running Board Shown

CARE INSTRUCTIONS

- REGULAR WAXING IS RECOMMENDED. DO NOT USE ANY TYPE OF POLISH OR WAX THAT MAY CONTAIN ABRASIVES.
- STAINLESS STEEL PRODUCTS CAN BE CLEANED WITH MILD SOAP AND WATER. STAINLESS STEEL POLISH SHOULD BE USED TO POLISH SMALL SCRATCHES.
- GLOSS BLACK FINISHES SHOULD BE CLEANED WITH MILD SOAP AND WATER.

WESTIN Westin Automotive Products, Inc.
320 W. Covina Blvd
San Dimas, Ca. 91773

Thank you for choosing Westin products
for additional installation assistance please call
Customer Service (800) 793-7846
www.westinautomotive.com



WARNING



Failure to follow these instructions could lead to death, personal injury, and / or property damage.

Failure to follow these instructions could lead to death, personal injury, and / or property damage.

FASTENERS:

All Westin supplied fasteners must be utilized and installed in accordance with the installation instructions and apply torque to the specifications as defined. **DOUBLE CHECK ALL FASTENERS BEFORE INITIAL USE, AND PERIODICALLY IN THE FUTURE TO ENSURE PROPER FUNCTION AND SAFETY.**

DRILLING:

Most Westin products do not require drilling for installation. If drilling is defined as required, use caution when drilling a vehicle. **FAILURE TO REVIEW AN AREA TO BE DRILLED MAY RESULT IN PERSONAL INJURY AND/OR INJURY TO OTHERS AS WELL AS VEHICLE DAMAGE.**

EYE PROTECTION:

ALWAYS WEAR SAFETY GLASSES OR GOGGLES DURING THE INSTALLATION PROCESS TO AVOID PERSONAL INJURY.

MAXIMUM TOWING/CARRYING CAPACITY: (if applicable)

The Westin Receiver Hitches will have a visible tow rating label affixed directly on the product. User should never exceed the vehicle manufacturers maximum tow and weight rating regardless of the capacity of the hitch. **FAILURE TO FOLLOW THESE GUIDELINES WILL VOID THE WESTIN WARRANTY AND MAY RESULT IN PERSONAL INJURY AND/OR INJURY TO OTHERS AS WELL AS VEHICLE DAMAGE.**

FOR CALIFORNIA RESIDENTS ONLY-PROP 65 WARNING:

Some products may contain chemicals such as DEHP, which can cause cancer, birth defects or other reproductive harm. For more info go to www.p65warnings.ca.gov