

INSTALLATION INSTRUCTIONS

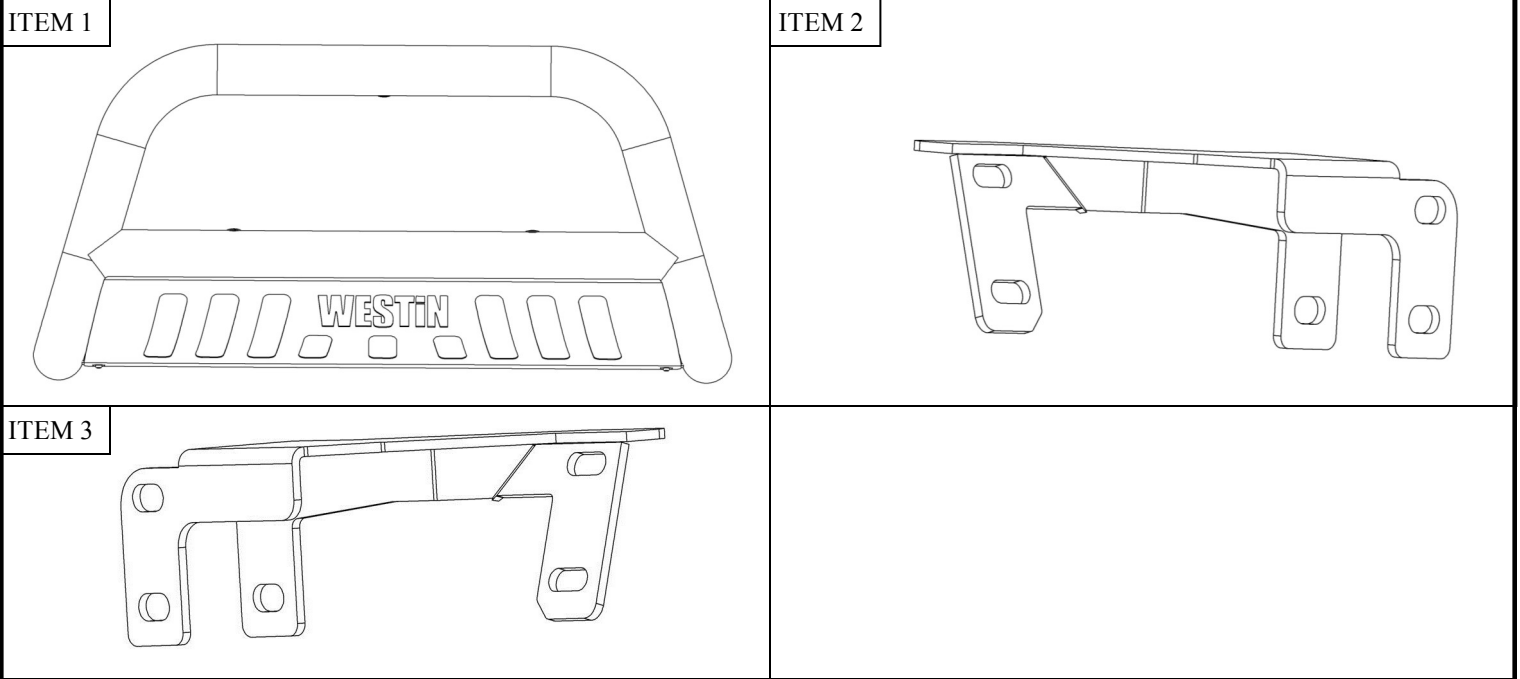
E-SERIES BULL BAR



APPLICATION:
2019-2020 RAM 2500/3500
PART NUMBER:
31-4020, 31-4025

CONTENT			
ITEM	QUANTITY	DESCRIPTION	TOOLS NEEDED
1	1	BULL BAR	17MM SOCKET
2	1	DRIVER MOUNTING BRACKET	17MM WRENCH
3	1	PASSENGER MOUNTING BRACKET	RATCHET
4	2	M12 HEX HEAD BOLT (YELLOW ZINC)	TORQUE WRENCH
5	2	M12 FLAT WASHERS (YELLOW ZINC)	ALLEN
6	2	M12 SERRATED FLANGE NUT (YELLOW ZINC)	21MM SOCKET
7	4	M10 BUTTON HEAD BOLT (BLACK ZINC)	18MM WRENCH
8	4	M10 FLAT WASHER (BLACK ZINC)	18MM SOCKET
9	4	M10 SERRATED FLANGE NUT (BLACK ZINC)	BREAKER BAR
10	4	M10 SPLIT LOCK WASHER (BLACK ZINC)	

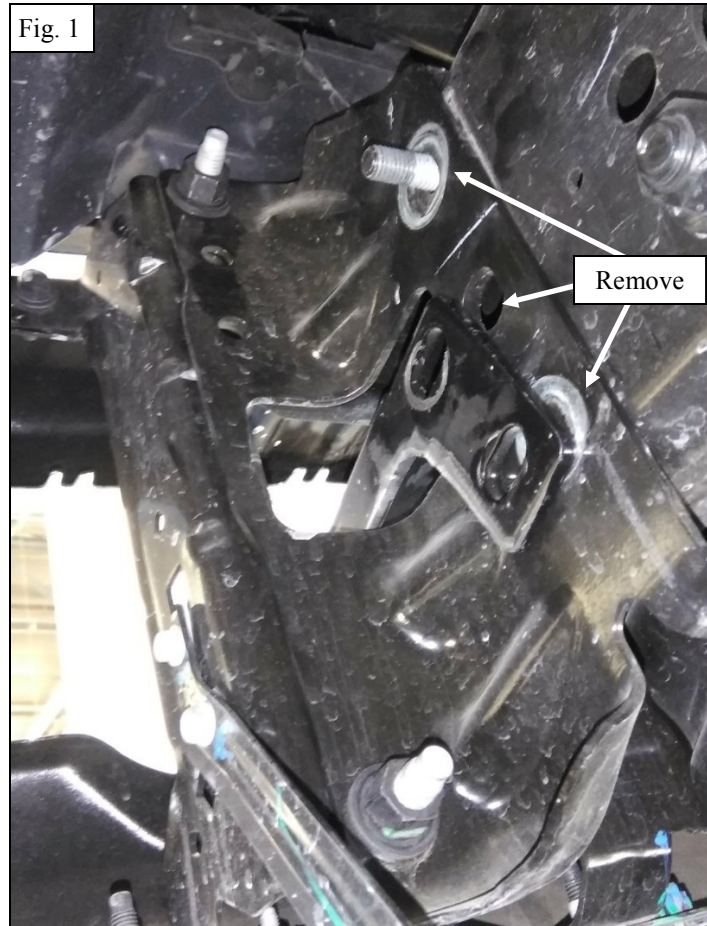
ANTI-SEIZE LUBRICANT MUST BE USED ON ALL STAINLESS STEEL FASTENERS TO PREVENT THREAD DAMAGE AND GALLING



PROCEDURE

1. Remove contents from box, verify if all parts listed are present and free from damage.
Carefully read and understand all instructions before attempting installation.
Failure to identify damage before installation could lead to a rejection of any claim.

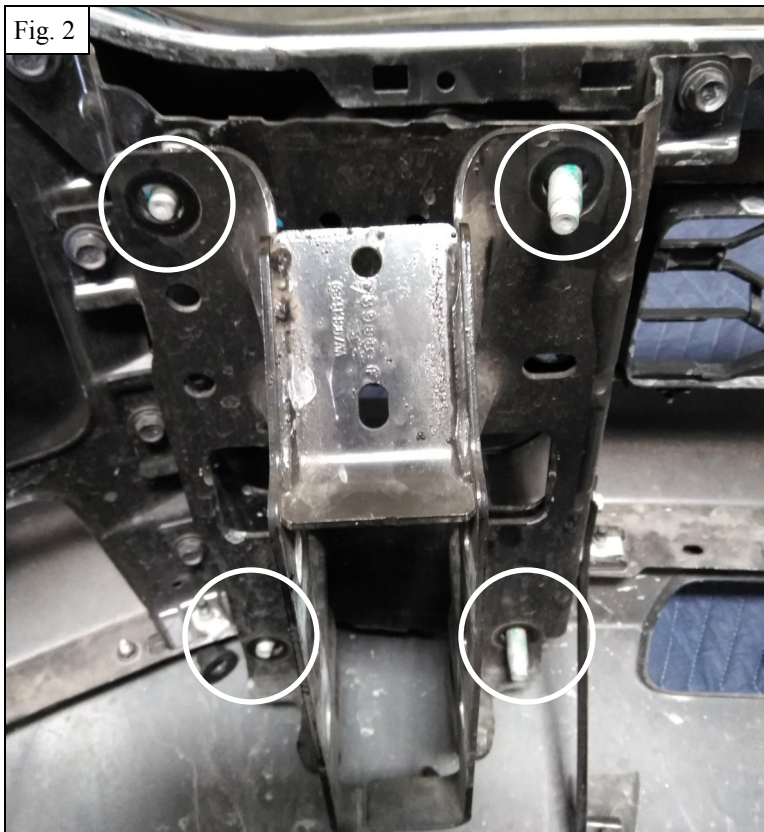
2. Start below the front of the vehicle. Unbolt the two factory bolts (three if tow hooks are equipped) from the bumper bracket on each side. See **Figure 1**. *Note: Factory Tow hooks cannot be reused!*



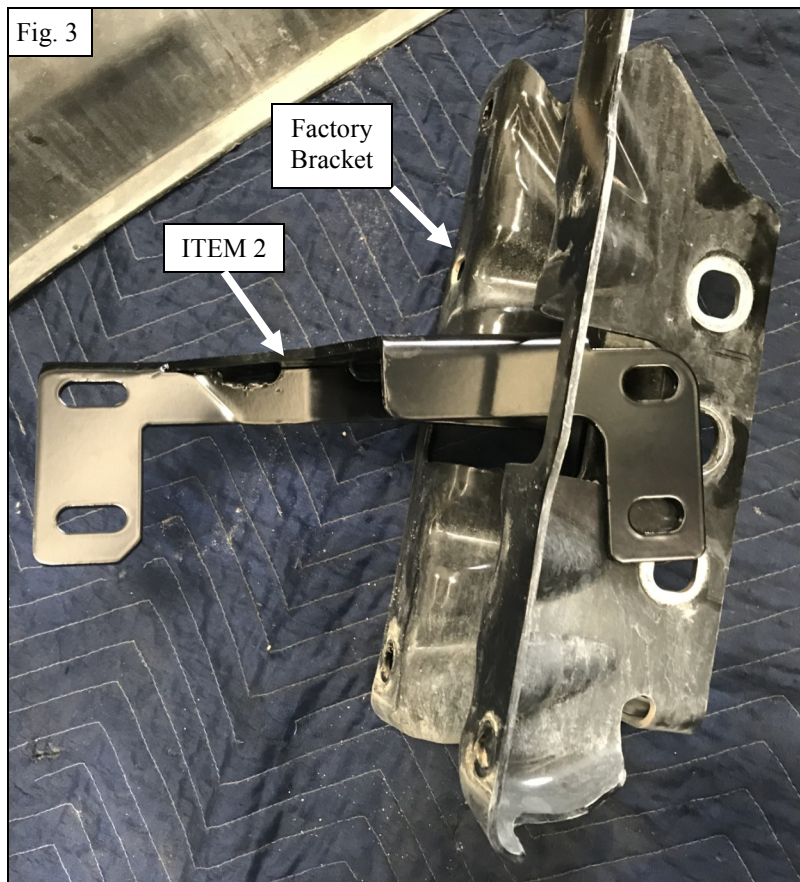
3. Unplug any lights or wiring and remove the bumper.
4. Remove the top nuts off of each bumper bracket. Remove the bracket. See **Figure 2**



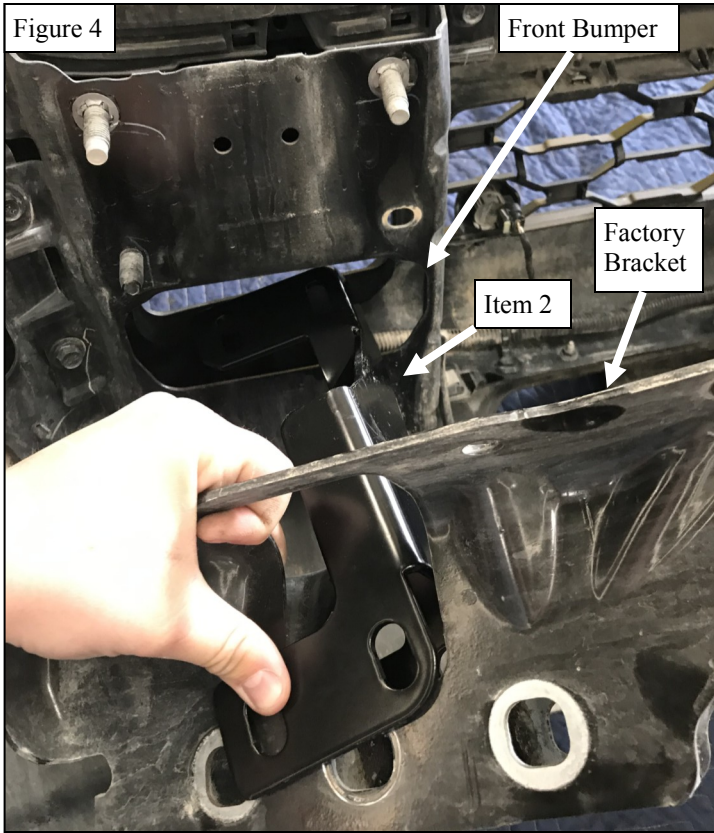
Westin Automotive Products, Inc.
320 W. Covina Blvd
San Dimas, Ca. 91773



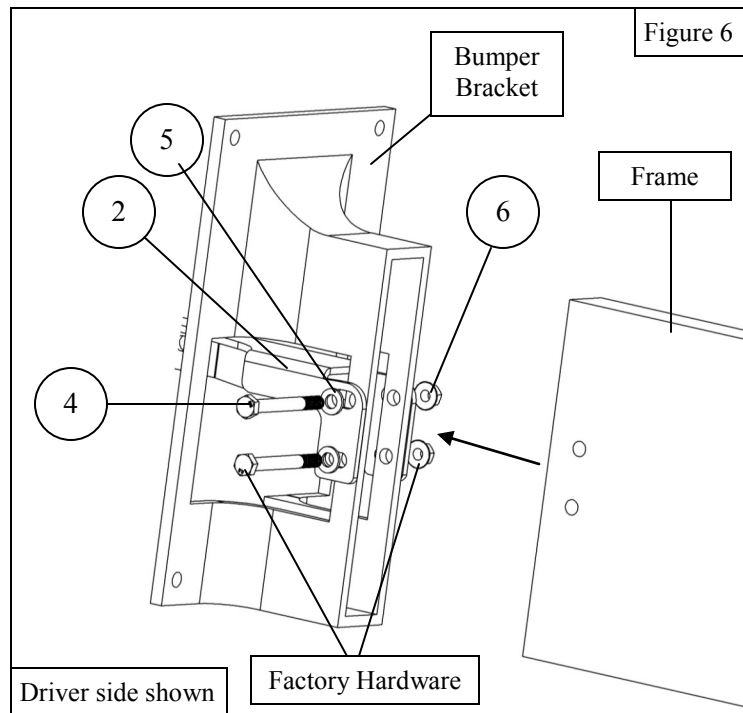
5. Slide either mounting bracket (2,3) into the factory bumper bracket as shown in **Figure 3**.



6. Rotate and slide both brackets back through the front bumper as shown in **Figures 4-5**



7. Re-Install the factory bumper bracket to the bumper.
8. Using supplied M12 hardware and reusing factory hardware, loosely install the mounting bracket. Re install the front bumper and torque to factory specs. The brackets should slide through the tow hook pockets. See **Figure 6**



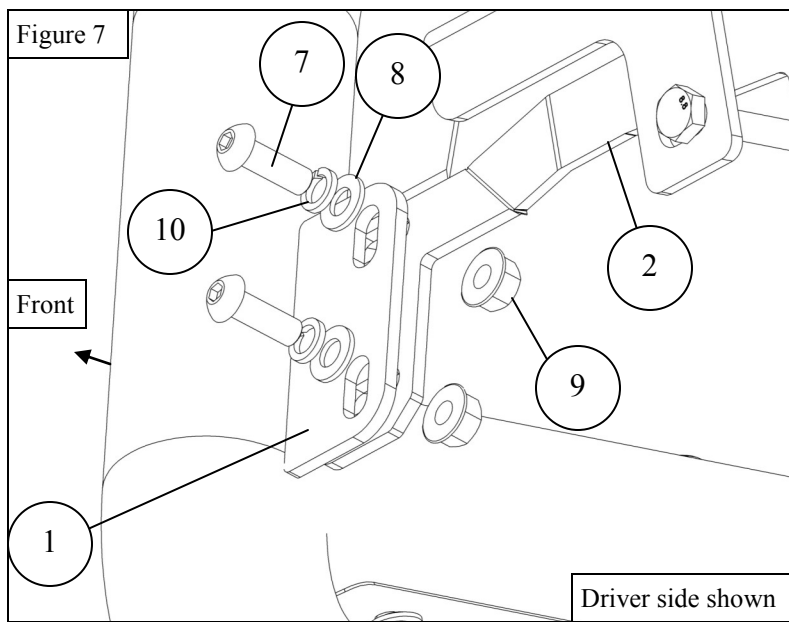
WESTIN

Westin Automotive Products, Inc.
320 W. Covina Blvd
San Dimas, Ca. 91773

Thank you for choosing Westin products
for additional installation assistance please call
Customer Service (800) 793-7846

www.westinautomotive.com

9. Using the supplied M10 hardware, loosely install the bull bar to the mounting brackets. See Figure 7.



11. Align bull bar as necessary and torque hardware as specified: M10 to 40 ft-lbs, M12 to 60 ft-lbs.



CARE INSTRUCTIONS

- REGULAR WAXING IS RECOMMENDED. DO NOT USE ANY TYPE OF POLISH OR WAX THAT MAY CONTAIN ABRASIVES.
- STAINLESS STEEL PRODUCTS CAN BE CLEANED WITH MILD SOAP AND WATER. STAINLESS STEEL POLISH SHOULD BE USED TO POLISH SMALL SCRATCHES.
- GLOSS BLACK FINISHES SHOULD BE CLEANED WITH MILD SOAP AND WATER.

WESTIN Westin Automotive Products, Inc.
320 W. Covina Blvd
San Dimas, Ca. 91773

Thank you for choosing Westin products
for additional installation assistance please call
Customer Service (800) 793-7846
www.westinautomotive.com



WARNING



Failure to follow these instructions could lead to death, personal injury, and / or property damage.

Failure to follow these instructions could lead to death, personal injury, and / or property damage.

FASTENERS:

All Westin supplied fasteners must be utilized and installed in accordance with the installation instructions and apply torque to the specifications as defined. **DOUBLE CHECK ALL FASTENERS BEFORE INITIAL USE, AND PERIODICALLY IN THE FUTURE TO ENSURE PROPER FUNCTION AND SAFETY.**

DRILLING:

Most Westin products do not require drilling for installation. If drilling is defined as required, use caution when drilling a vehicle. **FAILURE TO REVIEW AN AREA TO BE DRILLED MAY RESULT IN PERSONAL INJURY AND/OR INJURY TO OTHERS AS WELL AS VEHICLE DAMAGE.**

EYE PROTECTION:

ALWAYS WEAR SAFETY GLASSES OR GOGGLES DURING THE INSTALLATION PROCESS TO AVOID PERSONAL INJURY.

MAXIMUM TOWING/CARRYING CAPACITY: (if applicable)

The Westin Receiver Hitches will have a visible tow rating label affixed directly on the product. User should never exceed the vehicle manufacturers maximum tow and weight rating regardless of the capacity of the hitch. **FAILURE TO FOLLOW THESE GUIDELINES WILL VOID THE WESTIN WARRANTY AND MAY RESULT IN PERSONAL INJURY AND/OR INJURY TO OTHERS AS WELL AS VEHICLE DAMAGE.**

FOR CALIFORNIA RESIDENTS ONLY-PROP 65 WARNING:

Some products may contain chemicals such as DEHP, which can cause cancer, birth defects or other reproductive harm. For more info go to www.p65warnings.ca.gov



Westin Automotive Products, Inc.
320 W. Covina Blvd
San Dimas, Ca. 91773