



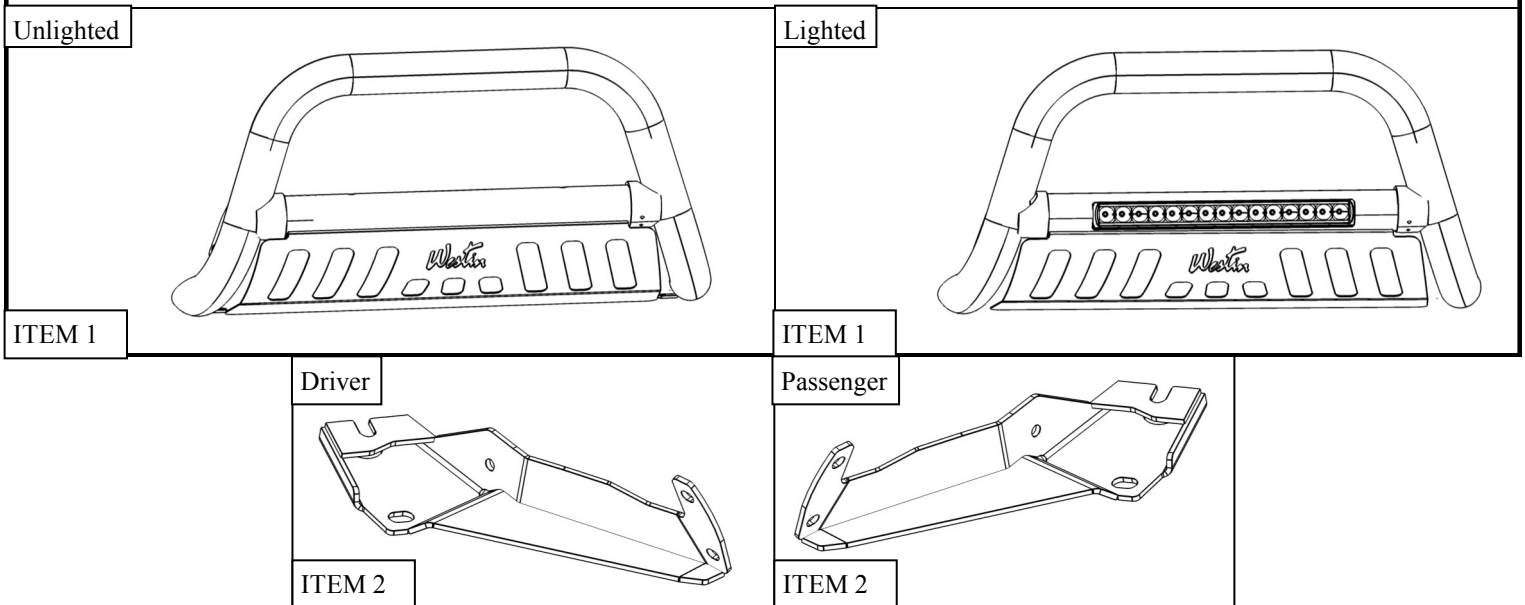
INSTALLATION INSTRUCTIONS

ULTIMATE BULL BAR & ULTIMATE LED BULL BAR

APPLICATION:
2019 Ram 1500
PART NUMBER:
32-3970, 32-3970L, 32-3975, 32-3975L

CONTENT			
ITEM	QUANTITY	DESCRIPTION	TOOLS NEEDED
1	1	HOOP ASSEMBLY	21MM SOCKET
2	2	MOUNTING BRACKET (1 DRIVER, 1 PASSENGER)	9/16" WRENCH
3	1	LED WIRING HARNESS (32-3970L & 32-3975L ONLY)	ALLEN WRENCH
4	2	M14 HEX HEAD CAP SCREW (YELLOW ZINC)	RATCHET
5	2	M14 FLAT WASHER (YELLOW ZINC)	TORQUE WRENCH
6	2	M14 SPLIT LOCK WASHER (YELLOW ZINC)	
7	4	3/8" BUTTON HEAD SCREW (BLACK ZINC)	
8	4	3/8" FLAT WASHER (BLACK ZINC)	
9	4	3/8" SERRATED FLANGE NUT (BLACK ZINC)	

ANTI-SEIZE LUBRICANT MUST BE USED ON ALL STAINLESS STEEL FASTENERS TO PREVENT THREAD DAMAGE AND GALLING



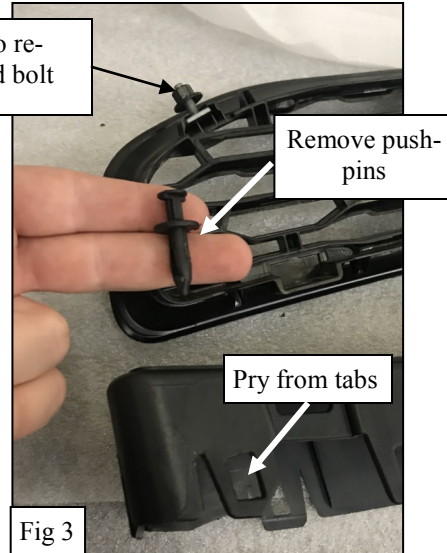
PROCEDURE

1. Remove contents from box, verify if all parts listed are present and free from damage.

Carefully read and understand all instructions before attempting installation.

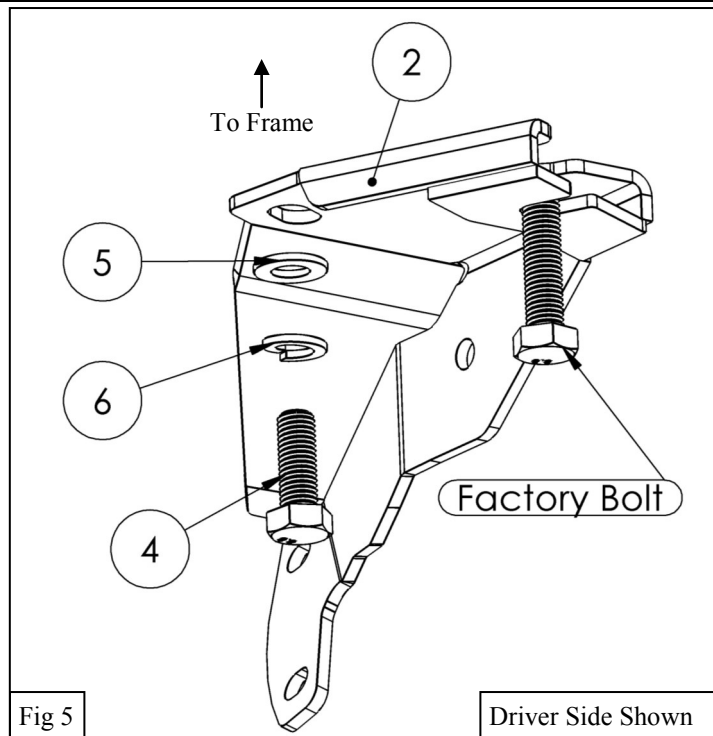
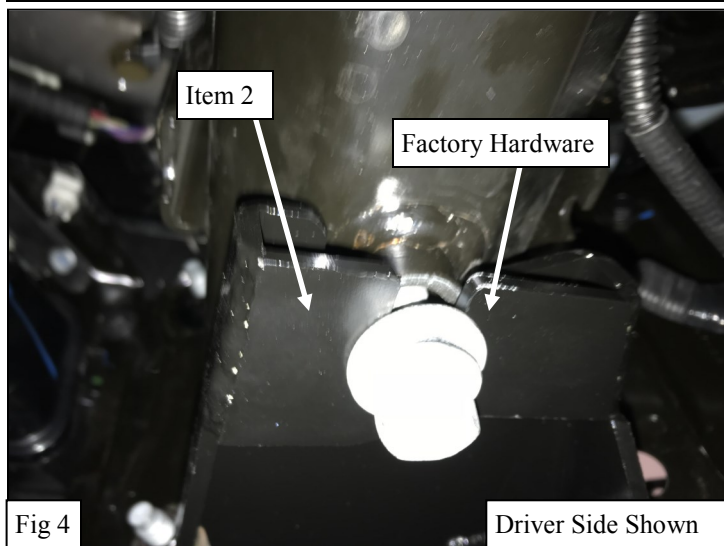
Failure to identify damage before installation could lead to a rejection of any claim.

2. Begin by removing the plastic caps for the tow hook attachment area by removing the nuts and clips on top and bottom. If tow hooks are present, they will need to be removed and will not be used again. See **Figures 1, 2, 3.**

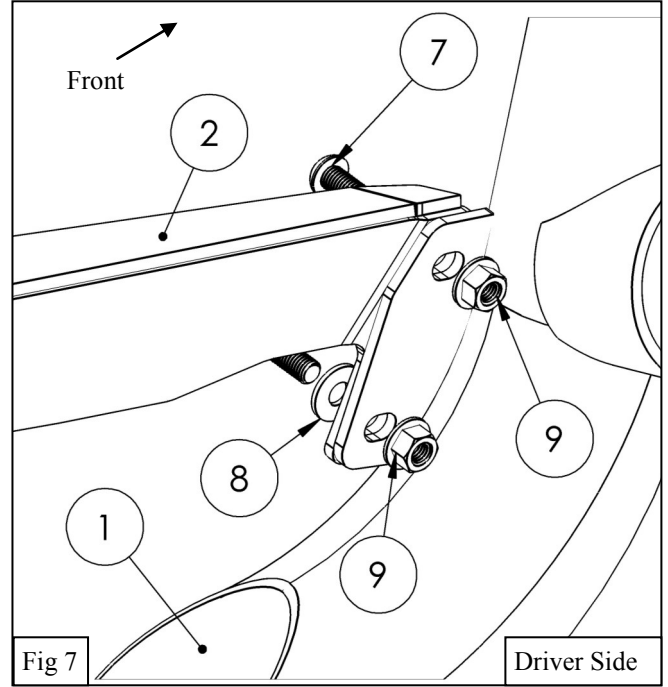
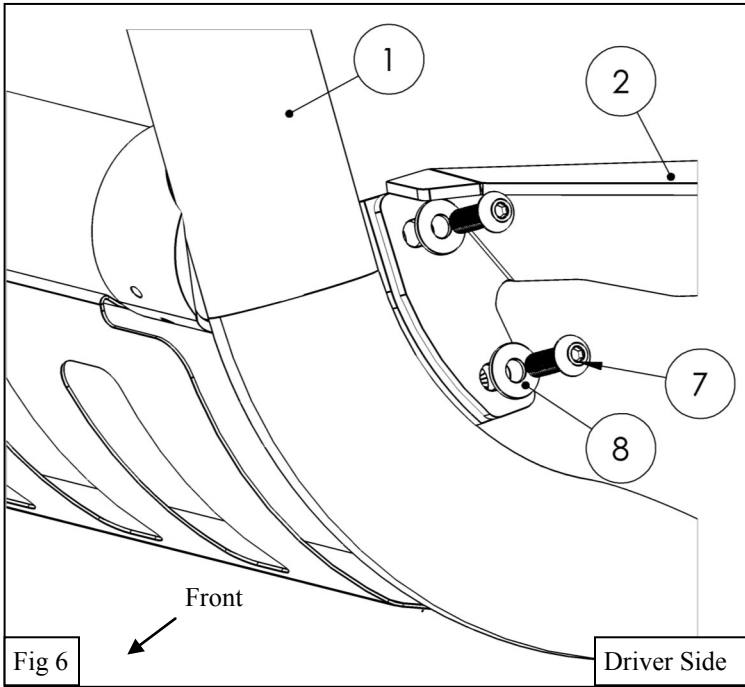


3. Loosen the bolt in the frame shown in **Figure 4** and slide the Mounting Bracket (2) through the two hook pockets and into position on the frame.

4. Insert the supplied M14 Hardware through the mounting brackets and into the tow hook mounting holes in the vehicle's frame as shown in **Figure 5**. The factory M14 bolt is used to retain the rear of the bracket as shown in **Figure 4**. Leave mounting hardware loose.



4. Install the Hoop Assembly (1) to the Mounting Brackets (2) using the supplied 3/8" Hardware. See **Figures 6 & 7**.
5. Align and adjust Bull Bar and brackets then tighten and torque all hardware: 3/8" Hardware to 20 ft-lbs, M14 Hardware to 105 ft-lbs.



CARE INSTRUCTIONS

- REGULAR WAXING IS RECOMMENDED. DO NOT USE ANY TYPE OF POLISH OR WAX THAT MAY CONTAIN ABRASIVES.
- STAINLESS STEEL PRODUCTS CAN BE CLEANED WITH MILD SOAP AND WATER. STAINLESS STEEL POLISH SHOULD BE USED TO POLISH SMALL SCRATCHES.
- GLOSS BLACK FINISHES SHOULD BE CLEANED WITH MILD SOAP AND WATER

WESTIN Westin Automotive Products, Inc.
320 W. Covina Blvd
San Dimas, Ca. 91773

Thank you for choosing Westin products
for additional installation assistance please call
Customer Service (800) 793-7846

WIRING INSTRUCTIONS:

CAUTION:

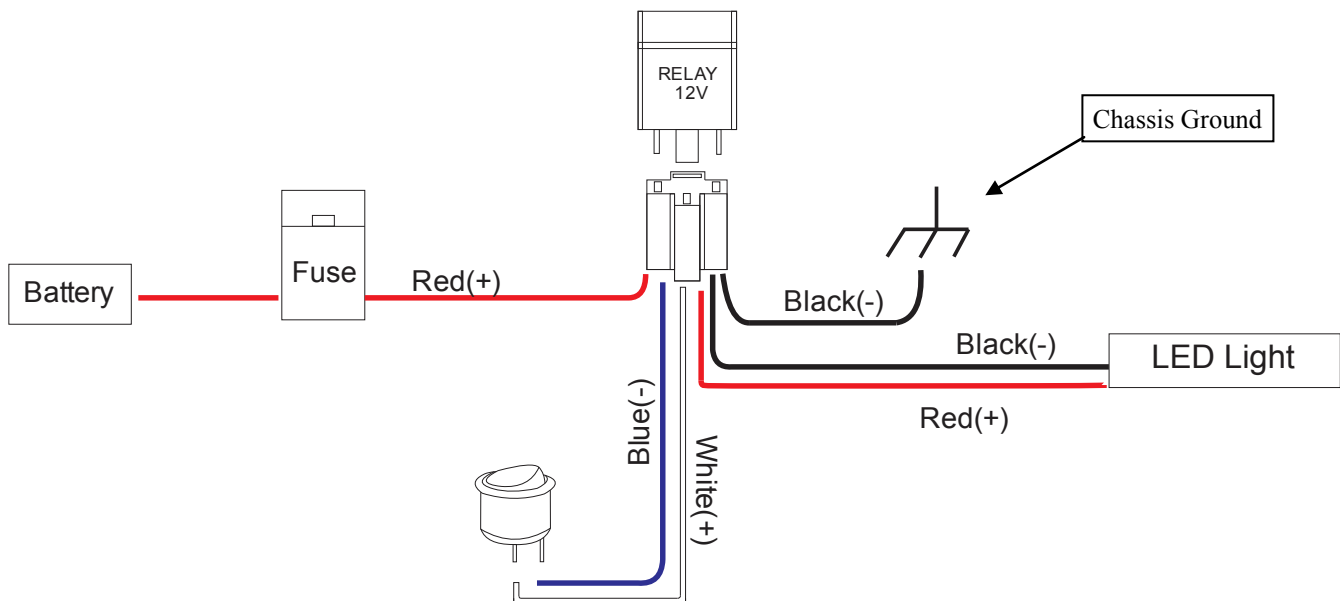
1. Disconnect ground connection from battery (-) to avoid accidental short circuits before attempting to connect electrical wires.
2. When running wires, avoid areas of excessive heat, vibration, pinch or rotation when securing harness to vehicle.
3. Always use a fused (+) positive supply source.
4. This light becomes hot under continuous use. Do not remove or touch the casting for at least 30 minutes after the lamp has been turned off.

WESTIN recommends using a professional for this installation.

Refer to Figure 15 below.

1. Locate the wiring harness and mount the switch in a convenient location where it is easily accessible from the drivers seat. **Note:** *The switch will need to be removed from the wiring harness so that the rest of the harness can be routed from the engine bay to the cabin.*
2. Route the wiring harness wire, specifically the fuse and relay, from the positive battery terminal along the firewalls existing wire routes. **Note:** *Tape as necessary to correct slack.*
3. Secure the relay by either drilling or using a pre-existing bolt along the chassis that is not connected to any other wire.
4. Run the switch harness through the firewall preferably through the pre-existing rubber plug that is used to run the OEM wiring harness from the engine bay to fuse box. **Note:** *Reconnect the switch to the wiring harness.*
5. Place the LED plug wire along the fender chassis where it will not get pinched and away from any moving parts (fan, pulleys etc.).
6. Run the attached wire from the LED Light Bar as previously mentioned away from any moving parts.
7. Connect both ends of wiring connectors from LED light bar and wiring harness.
8. Re-connect battery terminals, attach the red (+) wire to battery positive, and the black (-) wire to ground. **Note:** *Add dielectric grease (not supplied).*
9. Turn on the switch to make sure if the light works. If not, please check carefully if the wiring installation is correct.

Figure 15



WESTIN

Westin Automotive Products, Inc.
320 W. Covina Blvd
San Dimas, Ca. 91773

Thank you for choosing Westin products
for additional installation assistance please call
Customer Service (800) 793-7846

www.westinautomotive.com



WARNING



Failure to follow these instructions could lead to death, personal injury, and / or property damage.

Failure to follow these instructions could lead to death, personal injury, and / or property damage.

FASTENERS:

All Westin supplied fasteners must be utilized and installed in accordance with the installation instructions and apply torque to the specifications as defined. **DOUBLE CHECK ALL FASTENERS BEFORE INITIAL USE, AND PERIODICALLY IN THE FUTURE TO ENSURE PROPER FUNCTION AND SAFETY.**

DRILLING:

Most Westin products do not require drilling for installation. If drilling is defined as required, use caution when drilling a vehicle. **FAILURE TO REVIEW AN AREA TO BE DRILLED MAY RESULT IN PERSONAL INJURY AND/OR INJURY TO OTHERS AS WELL AS VEHICLE DAMAGE.**

EYE PROTECTION:

ALWAYS WEAR SAFETY GLASSES OR GOGGLES DURING THE INSTALLATION PROCESS TO AVOID PERSONAL INJURY.

MAXIMUM TOWING/CARRYING CAPACITY: (if applicable)

The Westin Receiver Hitches will have a visible tow rating label affixed directly on the product. User should never exceed the vehicle manufacturers maximum tow and weight rating regardless of the capacity of the hitch. **FAILURE TO FOLLOW THESE GUIDELINES WILL VOID THE WESTIN WARRANTY AND MAY RESULT IN PERSONAL INJURY AND/OR INJURY TO OTHERS AS WELL AS VEHICLE DAMAGE.**

FOR CALIFORNIA RESIDENTS ONLY-PROP 65 WARNING:

Some products may contain chemicals such as DEHP, which can cause cancer, birth defects or other reproductive harm. For more info go to www.p65warnings.ca.gov



Westin Automotive Products, Inc.
320 W. Covina Blvd
San Dimas, Ca. 91773