

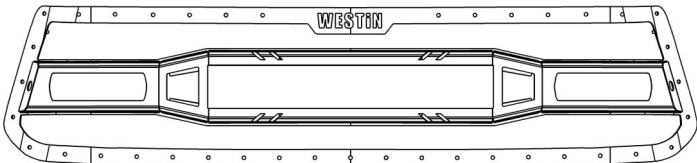
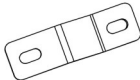
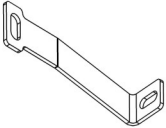
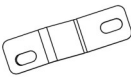
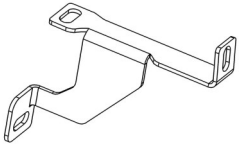
# INSTALLATION INSTRUCTIONS



**HDX LED GRILLE**  
**APPLICATION:**  
**2014-2017 Toyota Tundra**  
**PART NUMBER:**  
**34-1075**

ITEM	QUANTITY	DESCRIPTION	TOOLS NEEDED
1	1	HDX GRILLE	10MM SOCKET
2,3	2	DRIVER SIDE UPPER MOUNT BRACKET A (2) / PASSENGER (3)	PHILLIPS HEAD SCREW DRIVER
4,5	2	DRIVER SIDE UPPER MOUNT BRACKET B (4) / PASSENGER (5)	
6,7	2	DRIVER SIDE TOP MOUNT BRACKET (6) / PASSENGER (7)	RATCHET
8,9	2	DRIVER SIDE BOTTOM MOUNT BRACKET (8) / PASSENGER (9)	TORQUE WRENCH
10	14	M6 HEX NUT (YELLOW ZINC)	
11	14	M6 SPLIT LOCK WASHER (YELLOW ZINC)	
12	4	M6 LARGE FLAT WASHER (YELLOW ZINC)	
13	20	M6 SMALL FLAT WASHER (YELLOW ZINC)	
14	2	M6 HEX HEAD BOLT LONG (YELLOW ZINC)	
15	4	M6 HEX HEAD BOLT SHORT (YELLOW ZINC)	
16	2	M6 SPACER (YELLOW ZINC)	

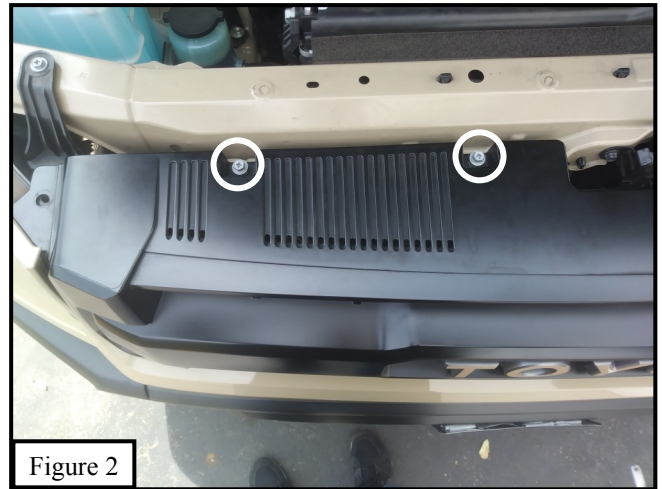
**ANTI-SEIZE LUBRICANT MUST BE USED ON ALL STAINLESS STEEL FASTENERS TO PREVENT THREAD DAMAGE AND GALLING**

 <p>Item 1</p>	 <p>Item 8</p>	 <p>Figure 4</p>
 <p>Figure 6</p>	 <p>Figure 2</p>	<div style="border: 1px solid black; padding: 10px; text-align: center;"> <p>DRIVER SIDE BRACKETS SHOWN, PASSENGER SIDE OPPOSITE</p> </div>

## PROCEDURE

1. Remove contents from box, verify if all parts listed are present and free from damage.  
Carefully read and understand all instructions before attempting installation.  
**Failure to identify damage before installation could lead to a rejection of any claim.**

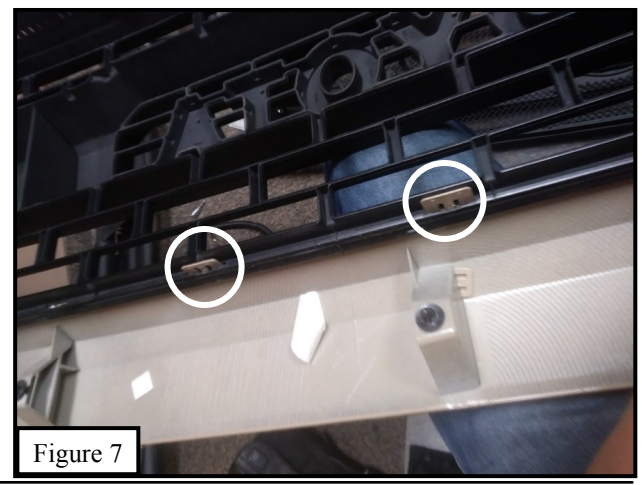
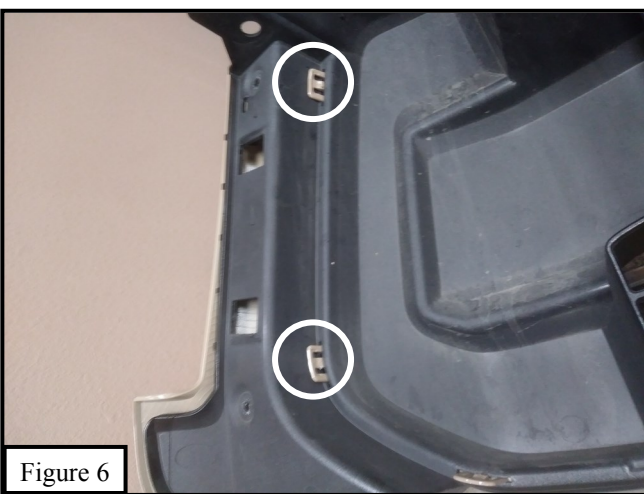
2. Start by removing (4) Phillips head screws located at the top of the OE grille. See **Figure 1 & 2**
3. Unclip (2) upper plastic clips on the top of the grille. See **Figure 1 & 2**.



4. Carefully pull off the grille and this will un-clip the remaining plastic clips located along the bottom of the grille.
5. Once grille is off, remove plastic clips where the previously removed screws were located. See **Figure 3 - 5**.



6. Un-clip the grille insert from the grille shell by pinching down the clips and pushing them through. **Note:** Carefully pinch down the clips in order to prevent the clips from breaking. See **Figure 6 & 7**.



7. Locate the HDX LED Grille (Item 1), Bottom Mount Brackets (Items 6-7), and Top Mount Brackets (Items 8-9). The grille will be loosely installed to the OE grille shell using the factory screws and supplied M6 hardware. See **Figures 8 & 9**.

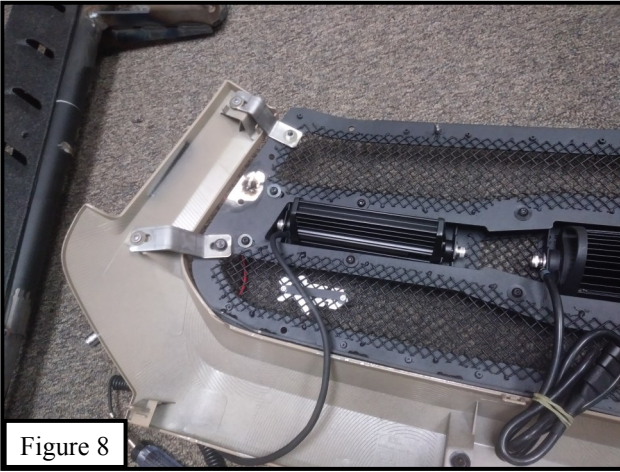


Figure 8



Figure 9

8. Locate Upper Mount Brackets (Items 2-5) and M6 Spacer (Item 16) and loosely install the brackets to the vehicle using the supplied M6 hardware. See **Figure 10-12**
9. Install the grille shell with the HDX LED Grille onto the previously installed brackets using the supplied M6 hardware and clip the bottom of the grille shell on to vehicle. See **Figure 10-12**
10. Align and adjust the HDX LED Grille onto the grille shell as necessary then torque M6 hardware to 5-7 ft-lbs.
11. Refer to wiring instructions on **Page 4** in order to connect LED lights to vehicle.



Figure 10

**SEE FIGURE 13 ON PAGE 4  
FOR EXPLODED VIEW**



Figure 11



Figure 12

# EXPLODED VIEW

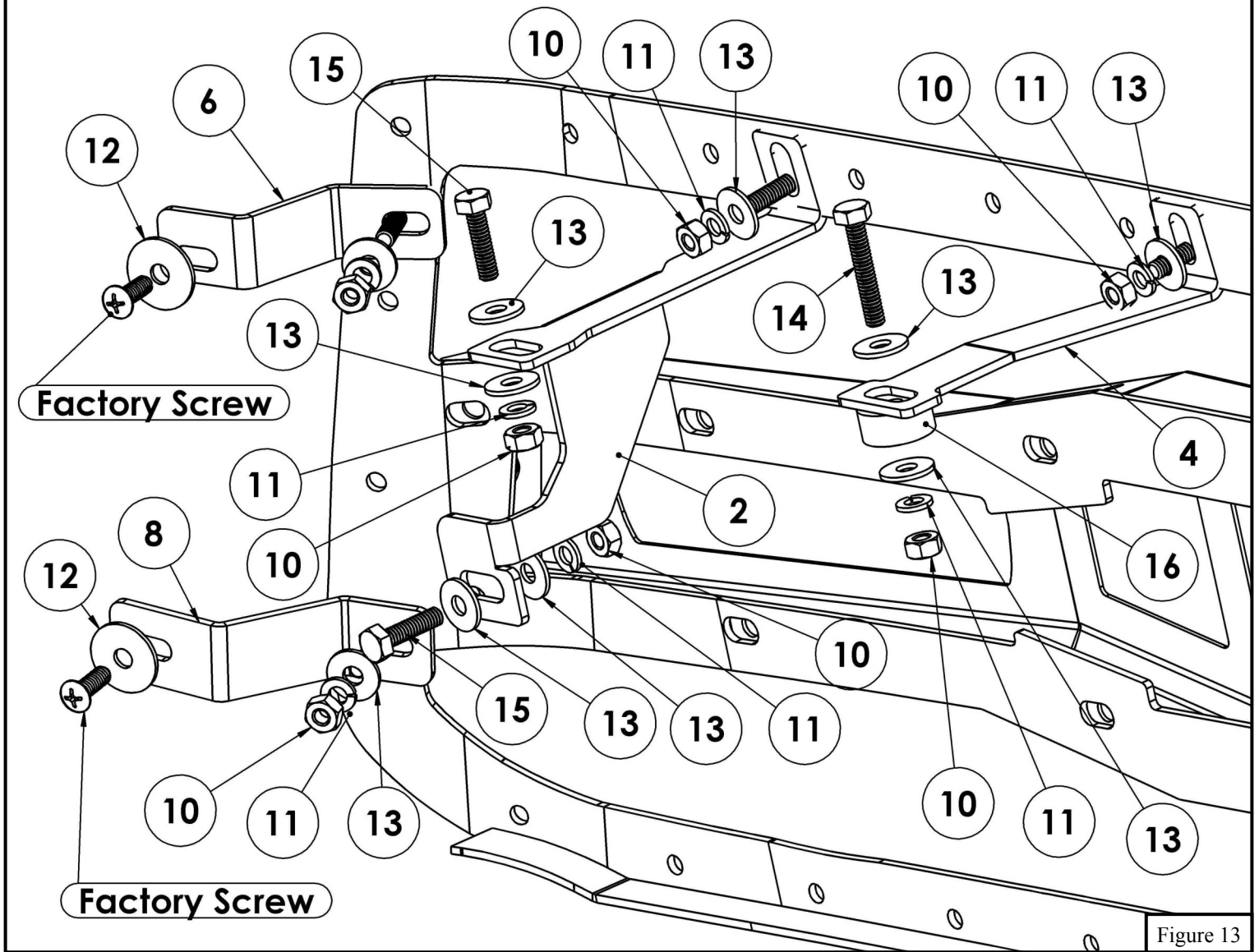


Figure 13

## INSTALLATION COMPLETE



### CARE INSTRUCTIONS

- REGULAR WAXING IS RECOMMENDED. DO NOT USE ANY TYPE OF POLISH OR WAX THAT MAY CONTAIN ABRASIVES.
- STAINLESS STEEL PRODUCTS CAN BE CLEANED WITH MILD SOAP AND WATER. STAINLESS STEEL POLISH SHOULD BE USED TO POLISH SMALL SCRATCHES.
- GLOSS BLACK FINISHES SHOULD BE CLEANED WITH MILD SOAP AND WATER.

**WESTIN** Westin Automotive Products, Inc.  
320 W. Covina Blvd  
San Dimas, Ca. 91773

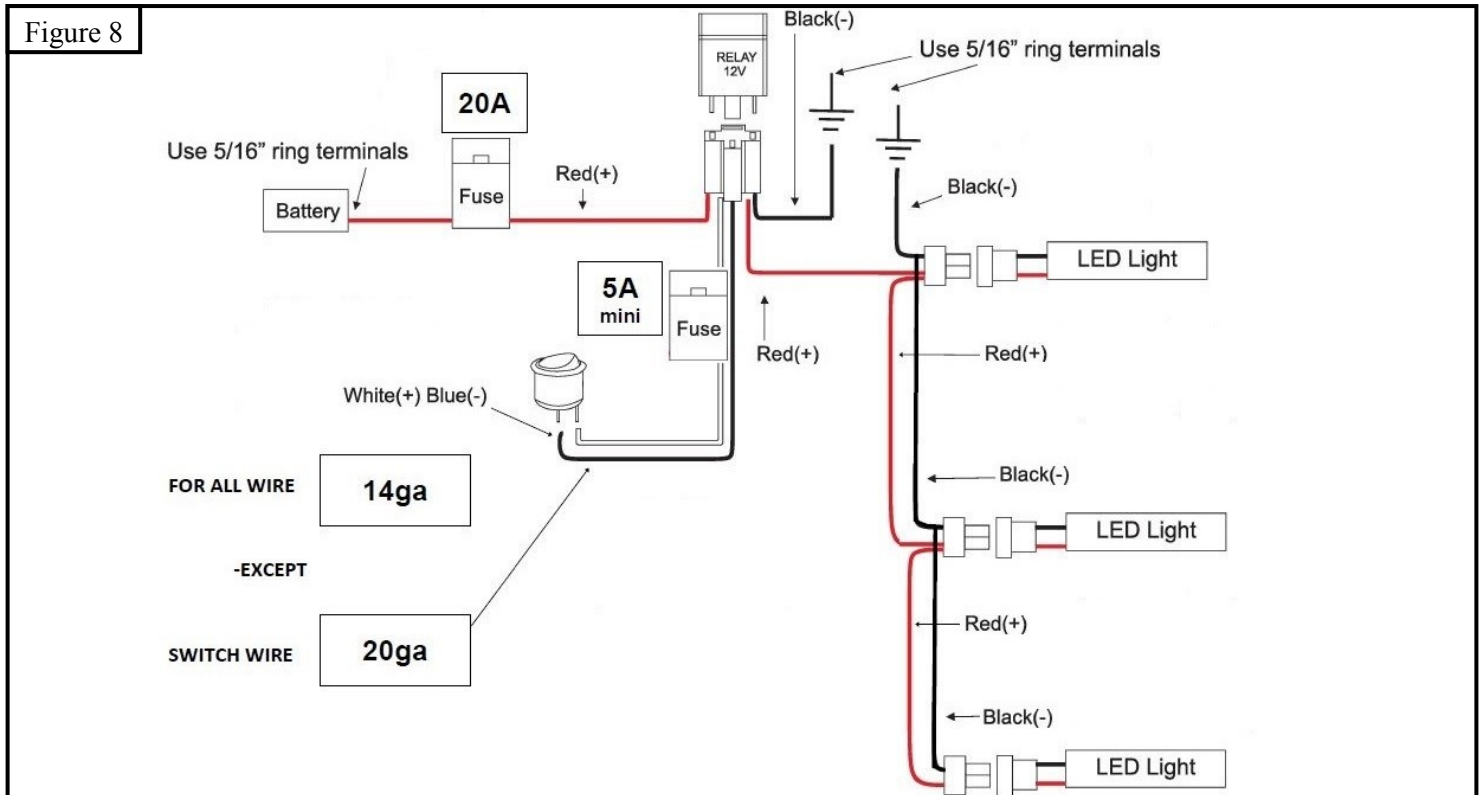
Thank you for choosing Westin products  
for additional installation assistance please call  
Customer Service (800) 793-7846

## WIRING INSTRUCTIONS (CAUTION):

1. Disconnect ground connection from battery (-) to avoid accidental short circuits before attempting to connect electrical wires.
2. When running wires, avoid areas of excessive heat, vibration, pinch or rotation when securing harness to vehicle.
3. Always use a fused (+) positive supply source.
4. This light becomes hot under continuous use. Do not remove or touch the casting for at least 30 minutes after the lamp has been turned off.

**WESTIN recommends using a professional for this installation. Refer to Figure 8 below.**

1. Locate the wiring harness and mount the switch in a convenient location where it is easily accessible from the drivers seat. **Note:** *The switch will need to be removed from the wiring harness so that the rest of the harness can be routed from the engine bay to the cabin.*
2. Route the wiring harness wire, specifically the fuse and relay, from the positive battery terminal along the firewalls existing wire routes. **Note:** *Tape as necessary to correct slack.*
3. Secure the relay by either drilling or using a pre-existing bolt along the chassis that is not connected to any other wire.
4. Run the switch harness through the firewall preferably through the pre-existing rubber plug that is used to run the OEM wiring harness from the engine bay to fuse box. **Note:** *Reconnect the switch to the wiring harness.*
5. Place the LED plug wire along the fender chassis where it will not get pinched and away from any moving parts (fan, pulleys etc.).
6. Run the attached wire from the LED Light Bar as previously mentioned away from any moving parts.
7. Connect both ends of wiring connectors from LED light bar and wiring harness.
8. Re-connect battery terminals, attach the red (+) wire to battery positive, and the black (-) wire to ground. **Note:** *Add dielectric grease (not supplied).*
9. Turn on the switch to make sure if the light works. If not, please check carefully if the wiring installation is correct.





## WARNING



Failure to follow these instructions could lead to death, personal injury, and / or property damage.

### FASTENERS:

All Westin supplied fasteners must be utilized and installed in accordance with the installation instructions and apply torque to the specifications as defined. **DOUBLE CHECK ALL FASTENERS BEFORE INITIAL USE, AND PERIODICALLY IN THE FUTURE TO ENSURE PROPER FUNCTION AND SAFETY.**

### DRILLING:

Most Westin products do not require drilling for installation. If drilling is defined as required, use caution when drilling a vehicle. **FAILURE TO REVIEW AN AREA TO BE DRILLED MAY RESULT IN PERSONAL INJURY AND/OR INJURY TO OTHERS AS WELL AS VEHICLE DAMAGE.**

### EYE PROTECTION:

**ALWAYS WEAR SAFETY GLASSES OR GOGGLES DURING THE INSTALLATION PROCESS TO AVOID PERSONAL INJURY.**

### MAXIMUM TOWING/CARRYING CAPACITY:

The Westin Receiver Hitches will have a visible tow rating label affixed directly on the product. User should never exceed the vehicle manufacturers maximum tow and weight rating regardless of the capacity of the hitch. **FAILURE TO FOLLOW THESE GUIDELINES WILL VOID THE WESTIN WARRANTY AND MAY RESULT IN PERSONAL INJURY AND/OR INJURY TO OTHERS AS WELL AS VEHICLE DAMAGE.**