

INSTALLATION INSTRUCTIONS

SPORTSMAN X GRILLE GUARD



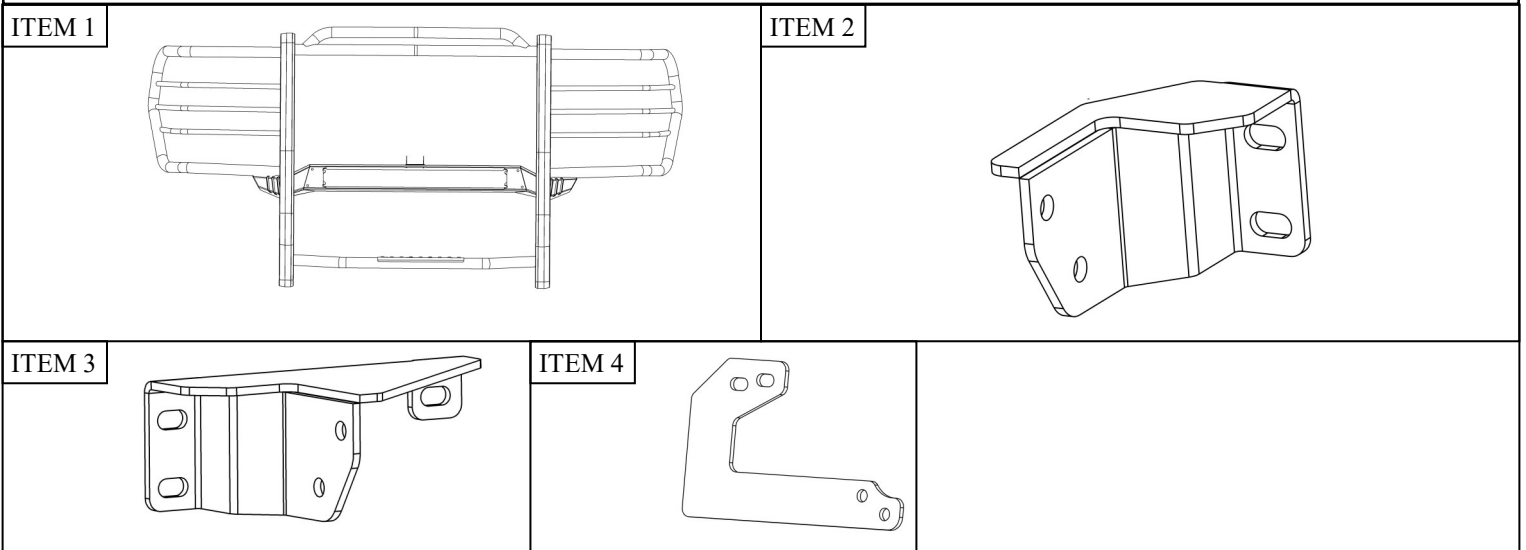
APPLICATION:
2017-2020 Ford F250/350
PART NUMBER:
40-34015

CONTENT			
ITEM	QUANTITY	DESCRIPTION	TOOLS NEEDED
1	1	GRILLE GUARD	ALLEN WRENCH
2	1	DRIVER MOUNTING BRACKET	RATCHET
3	1	PASSENGER MOUNTING BRACKET	TORQUE WRENCH
4	2	LOWER SUPPORTING BRACKET	18MM SOCKET
5	8	M12 FLAT WASHER (YELLOW ZINC)	18MM WRENCH
6	8	M12 SPLIT LOCK WASHER (YELLOW ZINC)	16MM SOCKET
7	8	M12 HEX NUT (YELLOW ZINC)	16MM WRENCH
8	8	M12 BUTTON HEAD BOLT (BLACK ZINC)	10MM SOCKET
9	8	M12 BELLVILLE WASHER (BLACK ZINC)	FLAT HEAD SCREW-DRIVER
10	8	M12 SERATED FLANGE NUT (BLACK ZINC)	
11	2	M12 PLASTIC RETAINER	HAMMER
12	2	M12 FISH WIRE	UTILITY KNIFE

ANTI-SEIZE LUBRICANT MUST BE USED ON ALL STAINLESS STEEL FASTENERS TO PREVENT THREAD DAMAGE AND GALLING

PROCEDURE

1. Remove contents from box, verify if all parts listed are present and free from damage.
Carefully read and understand all instructions before attempting installation.
Failure to identify damage before installation could lead to a rejection of any claim.

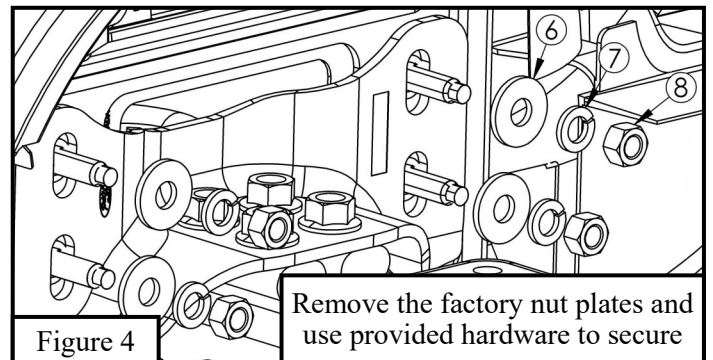
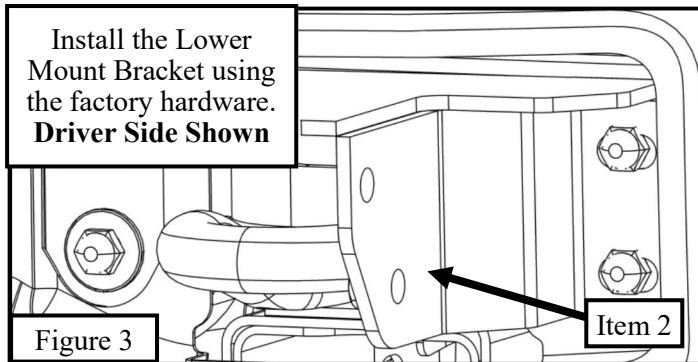


- Starting on either side, use a flathead screw driver to remove the plastic covers located around the factory tow hooks. Repeat for other side. See **Figures 1 and 2**. Repeat for other side.

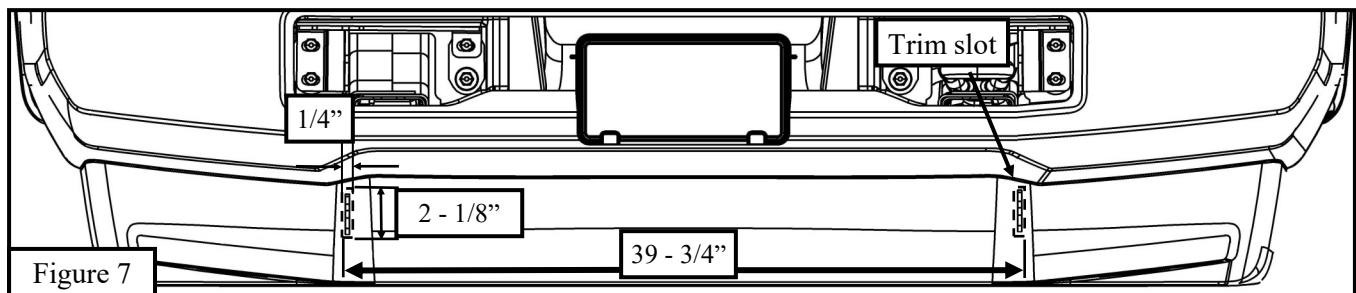
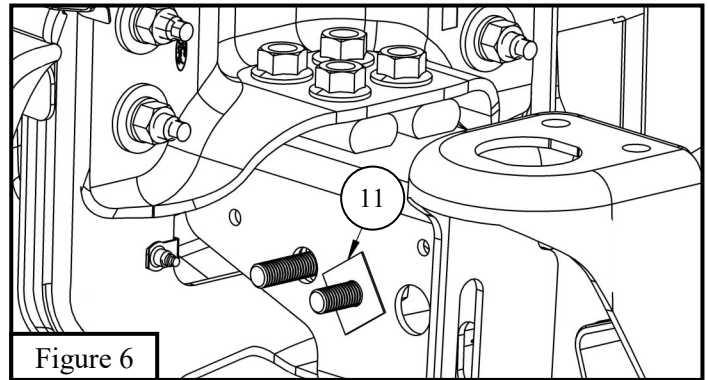
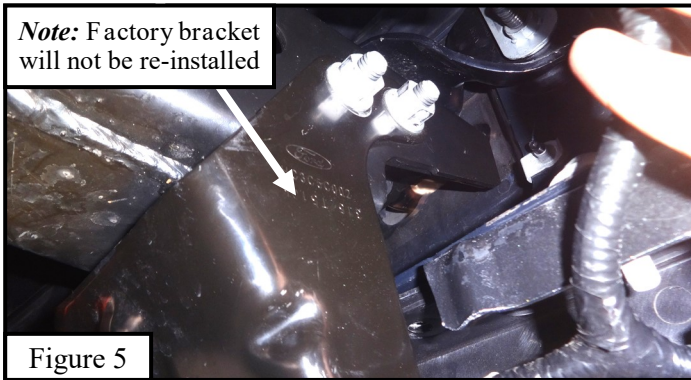
Metal Tab may need to be cut or bent in order to fit passenger side bracket



- Starting on either side. Locate (1) Lower Driver/Passenger Mounting Bracket and loosely install onto the factory bolts under the previously removed plastic covers using (4) M12 flat washers, (4) M12 split lock washers, and (4) M12 hex nuts. See **Figures 3 and 4**.



4. From underneath the vehicle, remove the factory bracket while making sure to keep the factory bolt plate from falling into the frame channel. **Refer to Figure 5.** *Note:* If factory M12 bolt plate falls into vehicle frame use the provided M12 fish wire to position back into its original location. Use the provided M12 plastic retainer to prevent the factory bolt plate from falling into vehicle frame. **See Figure 6.**
5. On the lower plastic bumper trim (2) slots of approximately 2-1/8" x 1/4". From the center of the vehicle the each slot is approximately 19-7/8" from the outer edge of the slot. **See Figure 7.**



6. Locate (1) Lower Support Bracket (Item 3) and insert through the newly trimmed slots and loosely secure onto vehicle frame using the factory hardware. **See Figure 8.**
7. Repeat **Steps 3 - 6** for other side.
8. Locate the Sportsman X Grille Guard and with assistance align it with the previous installed brackets. Loosely secure using (8) M12 cup washers, (8) M12 serrated flange nuts and (8) M12 hex socket button head screw. **See Figure 9.**
9. Align and adjust the grille guard and brackets as necessary and then torque all: M12 hardware to 50-55 ft-lbs.

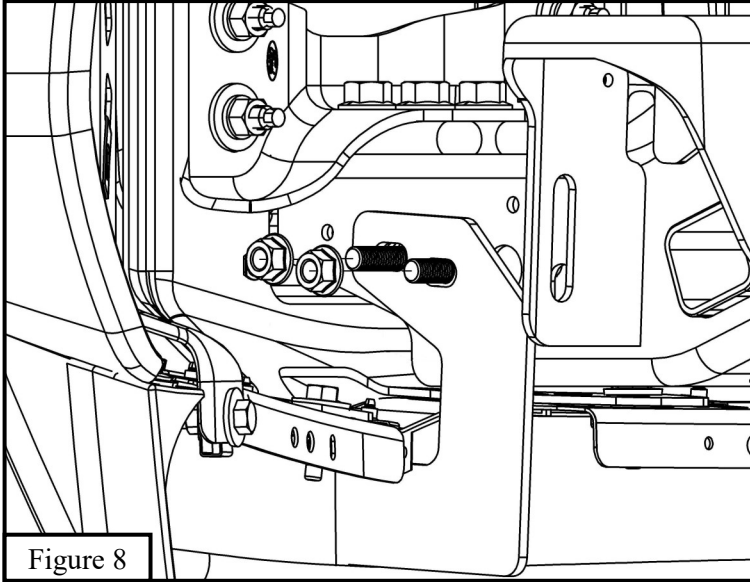


Figure 8

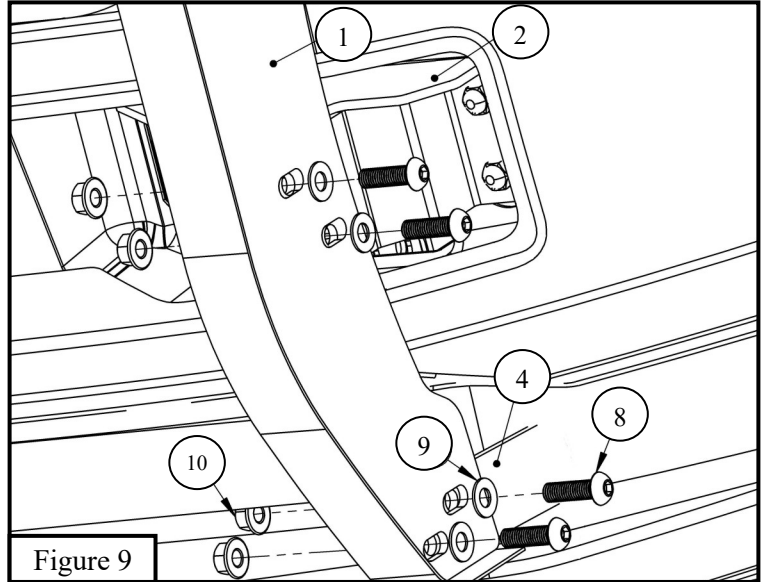


Figure 9



CARE INSTRUCTIONS

- REGULAR WAXING IS RECOMMENDED. DO NOT USE ANY TYPE OF POLISH OR WAX THAT MAY CONTAIN ABRASIVES.
- STAINLESS STEEL PRODUCTS CAN BE CLEANED WITH MILD SOAP AND WATER. STAINLESS STEEL POLISH SHOULD BE USED TO POLISH SMALL SCRATCHES.
- GLOSS BLACK FINISHES SHOULD BE CLEANED WITH MILD SOAP AND WATER.



WARNING



Failure to follow these instructions could lead to death, personal injury, and / or property damage.

Failure to follow these instructions could lead to death, personal injury, and / or property damage.

FASTENERS:

All Westin supplied fasteners must be utilized and installed in accordance with the installation instructions and apply torque to the specifications as defined. **DOUBLE CHECK ALL FASTENERS BEFORE INITIAL USE, AND PERIODICALLY IN THE FUTURE TO ENSURE PROPER FUNCTION AND SAFETY.**

DRILLING:

Most Westin products do not require drilling for installation. If drilling is defined as required, use caution when drilling a vehicle. **FAILURE TO REVIEW AN AREA TO BE DRILLED MAY RESULT IN PERSONAL INJURY AND/OR INJURY TO OTHERS AS WELL AS VEHICLE DAMAGE.**

EYE PROTECTION:

ALWAYS WEAR SAFETY GLASSES OR GOGGLES DURING THE INSTALLATION PROCESS TO AVOID PERSONAL INJURY.

MAXIMUM TOWING/CARRYING CAPACITY: (if applicable)

The Westin Receiver Hitches will have a visible tow rating label affixed directly on the product. User should never exceed the vehicle manufacturers maximum tow and weight rating regardless of the capacity of the hitch. **FAILURE TO FOLLOW THESE GUIDELINES WILL VOID THE WESTIN WARRANTY AND MAY RESULT IN PERSONAL INJURY AND/OR INJURY TO OTHERS AS WELL AS VEHICLE DAMAGE.**

FOR CALIFORNIA RESIDENTS ONLY-PROP 65 WARNING:

Some products may contain chemicals such as DEHP, which can cause cancer, birth defects or other reproductive harm. For more info go to www.p65warnings.ca.gov



Westin Automotive Products, Inc.
320 W. Covina Blvd
San Dimas, Ca. 91773