

INSTALLATION INSTRUCTIONS

TRANSFER CASE SKID PLATE



APPLICATION:

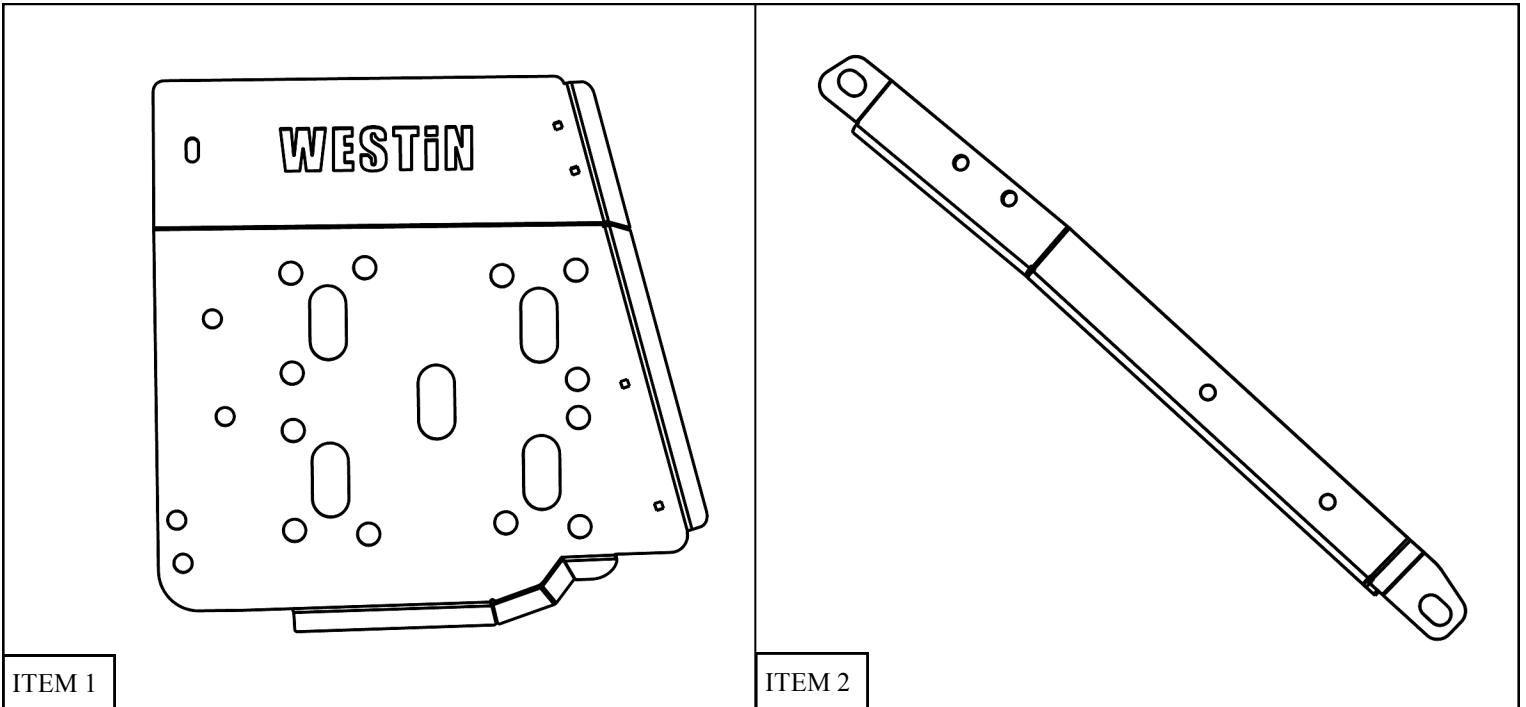
Jeep Wrangler 2012-2018 (Excl. JL)

PART NUMBER:

42-21025

CONTENT			
TEM	QUANTITY	DESCRIPTION	TOOLS NEEDED
1	1	Transfer Case Skid Plate	18mm Socket
2	1	Mounting Bar	Ratchet
3	4	M8 Plastic Retainer Square	Torque Wrench
4	4	M8 Hex Nut	13mm Socket
5	4	M8 Split Lock Washer	
6	4	M8 Flat Washer	
7	4	M8 Carriage Bolt	

ANTI-SEIZE LUBRICANT MUST BE USED ON ALL STAINLESS STEEL FASTENERS TO PREVENT THREAD DAMAGE AND GALLING



Westin Automotive Products, Inc.
320 W. Covina Blvd
San Dimas, Ca. 91773

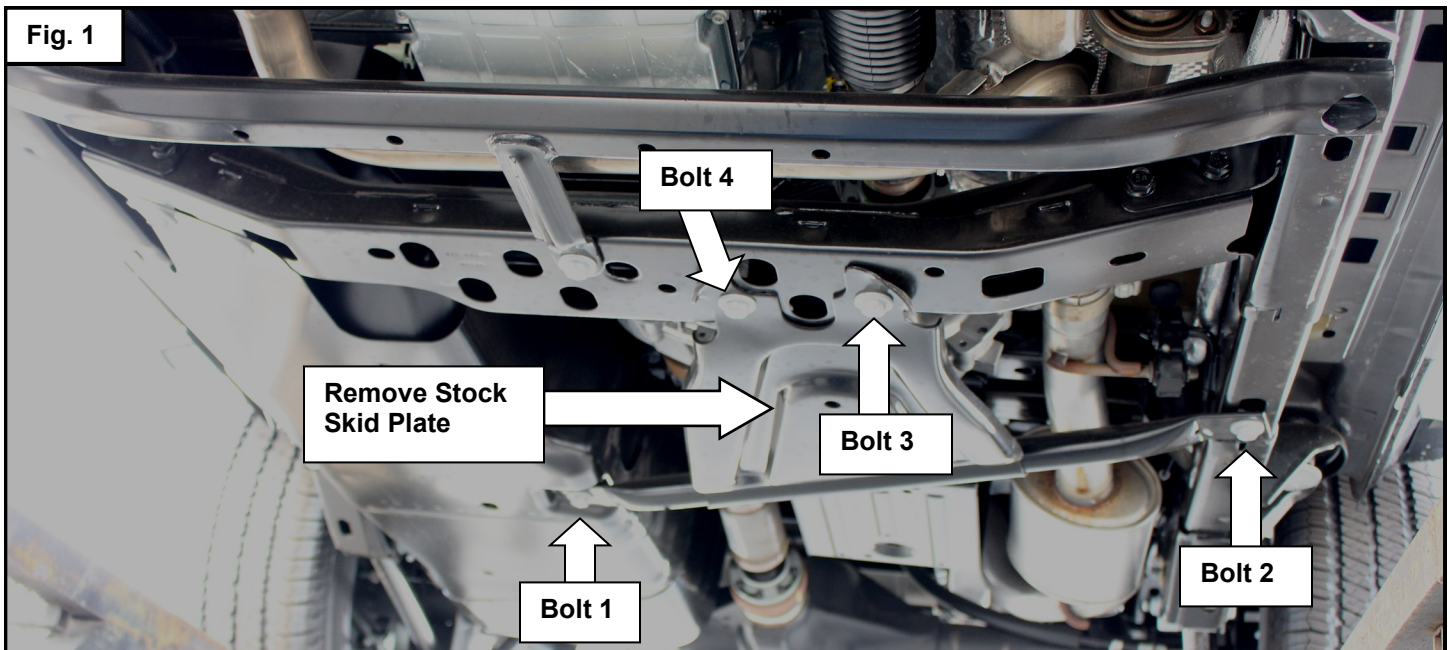
Thank you for choosing Westin products
for additional installation assistance please call
Customer Service (800) 793-7846

www.westinautomotive.com

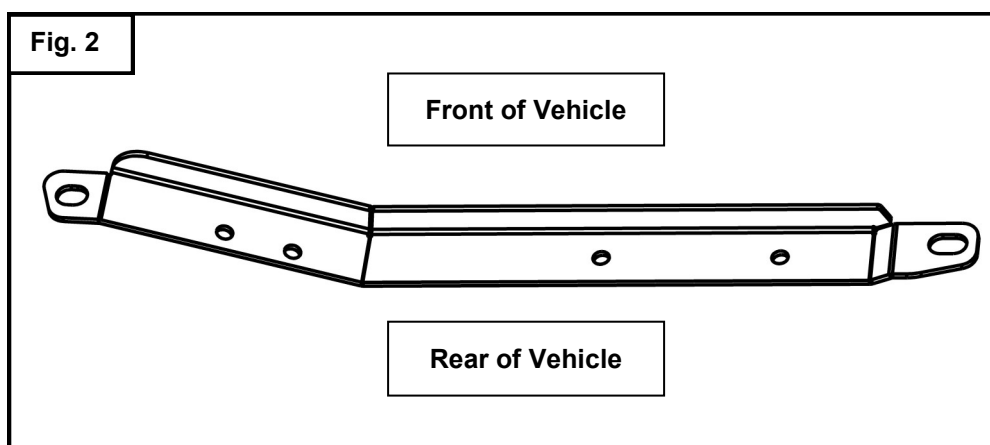
PROCEDURE

1. Remove contents from box, verify if all parts listed are present and free from damage. Carefully read and understand all instructions before attempting installation. (This skid plate can be installed by one person but it is highly recommended to have assistance of a second person.) **Failure to identify damage before installation could lead to a rejection of any claim.**

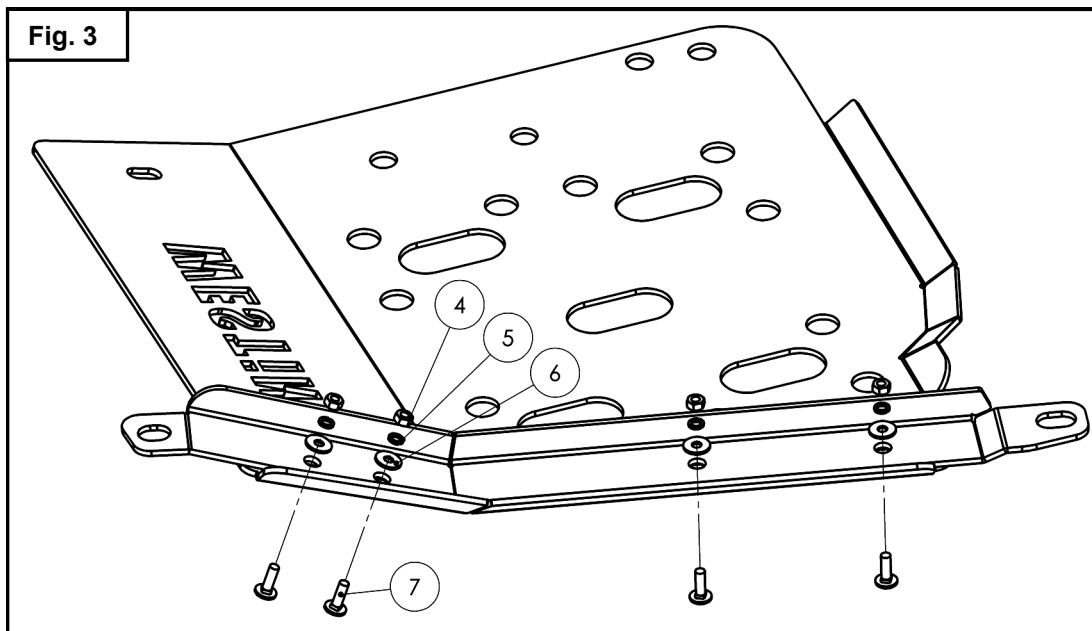
2. Remove stock transfer skid plate and save the hardware removed. It will be used to install your Transfer Case Skid Plate. See **Figure 1**.



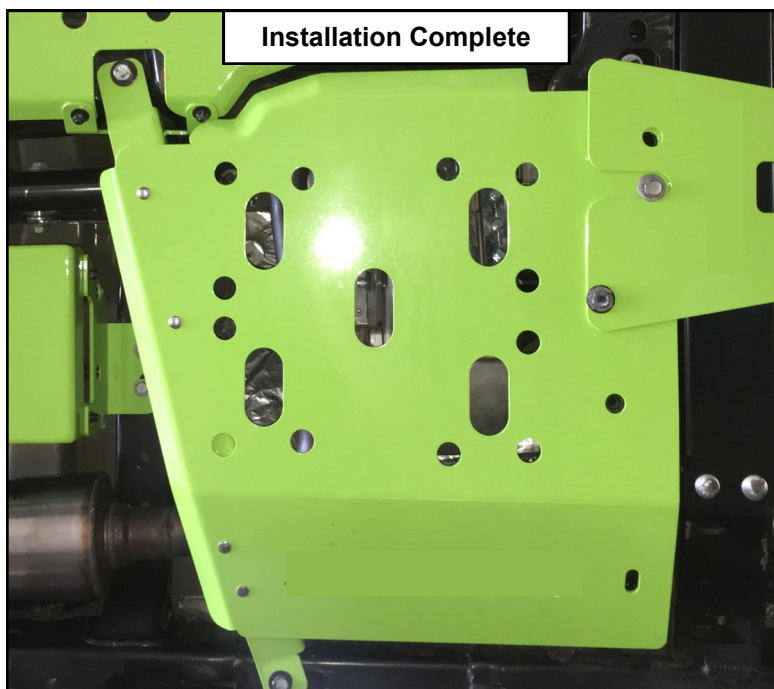
3. Install Mounting Bar (2) from bolt 1 to bolt 2 as shown in **Figure 1**. Position Mounting Bar with flange towards front of vehicle. See **Figure 2**.



4. Align skid plate to mounting bar and install M8 hardware (4-7). Do not tighten hardware at this time. **Note:** If necessary, use the M8 plastic retainer squares (3) to hold the M8 carriage bolts in place while installing flat washers, split lock washers and hex nuts. See **Fig. 3**.



5. Install stock bolts that mount skid plate to crossmember and tighten to 50-55 Ft-Lbs. See **Fig. D**.
6. Tighten M8 hardware to 15-17 ft-lbs.



CARE INSTRUCTIONS

- REGULAR WAXING IS RECOMMENDED. DO NOT USE ANY TYPE OF POLISH OR WAX THAT MAY CONTAIN ABRASIVES.
- STAINLESS STEEL PRODUCTS CAN BE CLEANED WITH MILD SOAP AND WATER. STAINLESS STEEL POLISH SHOULD BE USED TO POLISH SMALL SCRATCHES.
- GLOSS BLACK FINISHES SHOULD BE CLEANED WITH MILD SOAP AND WATER.



WARNING



Failure to follow these instructions could lead to death, personal injury, and / or property damage.

Failure to follow these instructions could lead to death, personal injury, and / or property damage.

FASTENERS:

All Westin supplied fasteners must be utilized and installed in accordance with the installation instructions and apply torque to the specifications as defined. **DOUBLE CHECK ALL FASTENERS BEFORE INITIAL USE, AND PERIODICALLY IN THE FUTURE TO ENSURE PROPER FUNCTION AND SAFETY.**

DRILLING:

Most Westin products do not require drilling for installation. If drilling is defined as required, use caution when drilling a vehicle. **FAILURE TO REVIEW AN AREA TO BE DRILLED MAY RESULT IN PERSONAL INJURY AND/OR INJURY TO OTHERS AS WELL AS VEHICLE DAMAGE.**

EYE PROTECTION:

ALWAYS WEAR SAFETY GLASSES OR GOGGLES DURING THE INSTALLATION PROCESS TO AVOID PERSONAL INJURY.

MAXIMUM TOWING/CARRYING CAPACITY:

The Westin Receiver Hitches will have a visible tow rating label affixed directly on the product. User should never exceed the vehicle manufacturers maximum tow and weight rating regardless of the capacity of the hitch. **FAILURE TO FOLLOW THESE GUIDELINES WILL VOID THE WESTIN WARRANTY AND MAY RESULT IN PERSONAL INJURY AND/OR INJURY TO OTHERS AS WELL AS VEHICLE DAMAGE.**



Westin Automotive Products, Inc.
320 W. Covina Blvd
San Dimas, Ca. 91773

Thank you for choosing Westin products
for additional installation assistance please call
Customer Service (800) 793-7846
www.westinautomotive.com