

# INSTALLATION INSTRUCTIONS

## GAS TANK SKID PLATE



**APPLICATION:**

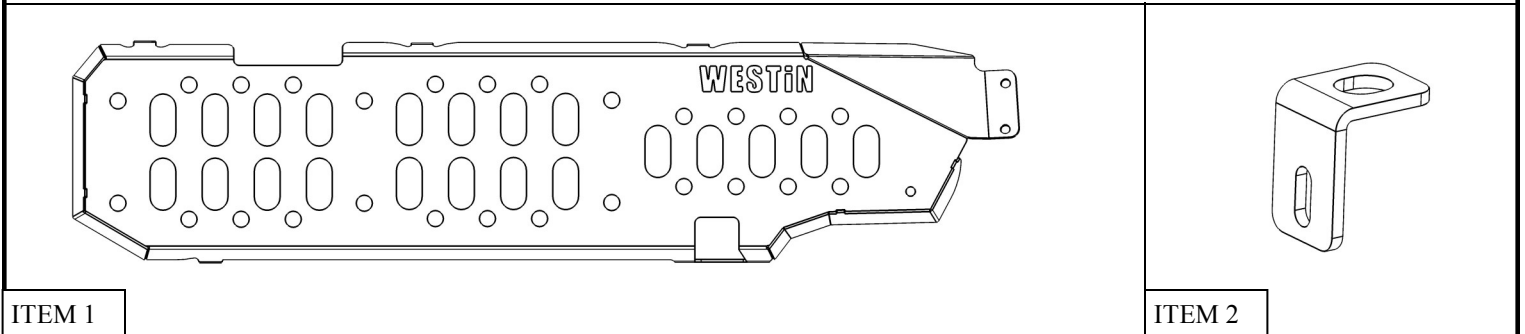
Jeep Wrangler JK Unlimited 4 Door 2007-2018

**PART NUMBER:**

42-21055

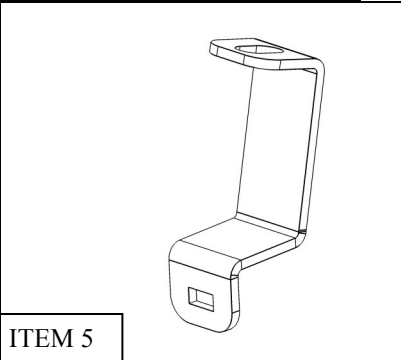
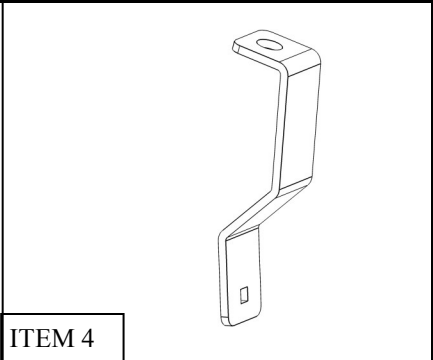
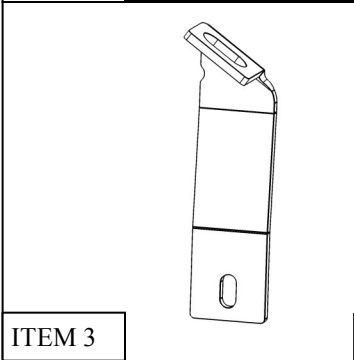
CONTENT			
ITEM	QUANTITY	DESCRIPTION	TOOLS NEEDED
1	1	SKID PLATE	16MM SOCKET
2	2	BRACKET 1	13MM SOCKET
3	1	BRACKET 2	13MM WRENCH
4	1	BRACKET 3	RATCHET
5	1	BRACKET 4	TORQUE WRENCH
6	5	M8 PLASTIC RETAINER SQUARE	
7	5	M8 SPLIT LOCK WASHER	
8	5	M8 FLAT WASHER	
9	5	M8 HEX NUT	
10	5	M8 CARRIAGE BOLT	

**ANTI-SEIZE LUBRICANT MUST BE USED ON ALL STAINLESS STEEL FASTENERS TO PREVENT THREAD DAMAGE AND GALLING**



ITEM 1

ITEM 2



ITEM 3

ITEM 4

ITEM 5



Westin Automotive Products, Inc.  
320 W. Covina Blvd  
San Dimas, Ca. 91773

Thank you for choosing Westin products  
for additional installation assistance please call  
Customer Service (800) 793-7846

[www.westinautomotive.com](http://www.westinautomotive.com)

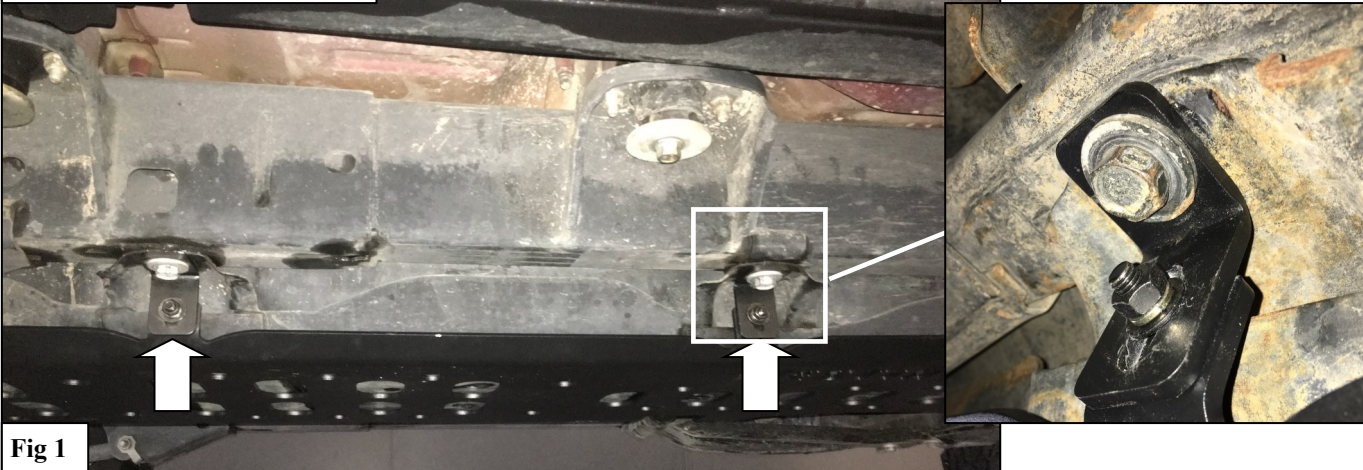
**WARNING:** GAS TANK IS MOUNTED BY BOLTS USED TO INSTALL THIS SKID PLATE. PLEASE DO NOT REMOVE ALL BOLTS AT ONCE. BRACKETS HAVE TO BE INSTALLED ONE AT A TIME.

(This skid plate can be installed by one person but it is highly recommended to have assistance of a second person.)

### PROCEDURE

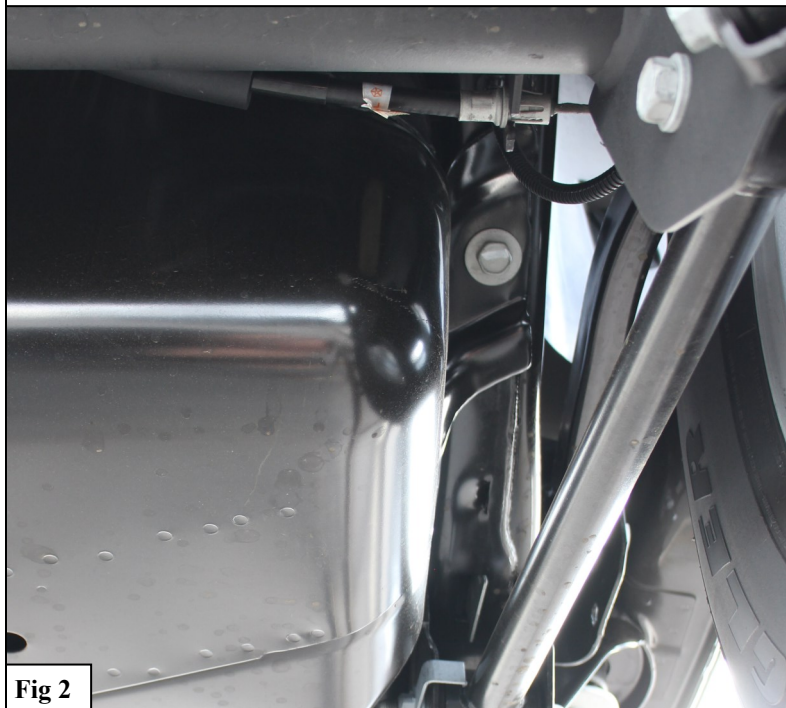
1. Remove contents from box, verify if all parts listed are present and free from damage. Carefully read and understand all instructions before attempting installation.  
**Failure to identify damage before installation could lead to a rejection of any claim.**
2. Use the factory gas tank hardware to install Bracket 1 (2) to the frame. See **Figure 1**. *Note: figures show the Skid Plate (1) installed. Do not install until all brackets are installed.*
3. Use the factory gas tank hardware to install Bracket 2 (3) to the vehicle. See **Figure 2**.

Located on passenger frame rail.



**Fig 1**

Located in the rear-most passenger position on the gas tank. See Page 4 for bracket orientation.



**Fig 2**

**WESTIN**

Westin Automotive Products, Inc.  
320 W. Covina Blvd  
San Dimas, Ca. 91773

Thank you for choosing Westin products  
for additional installation assistance please call  
Customer Service (800) 793-7846

[www.westinautomotive.com](http://www.westinautomotive.com)

4. Use the factory gas tank hardware to install Bracket 3 (4) to the vehicle. See **Figure 3**.
5. Use the factory gas tank hardware to install Bracket 4 (5) to the vehicle. See **Figure 4**.

Located on driver side rear-most location of gas tank



**Fig 3**

Located on driver front-most location of gas tank.

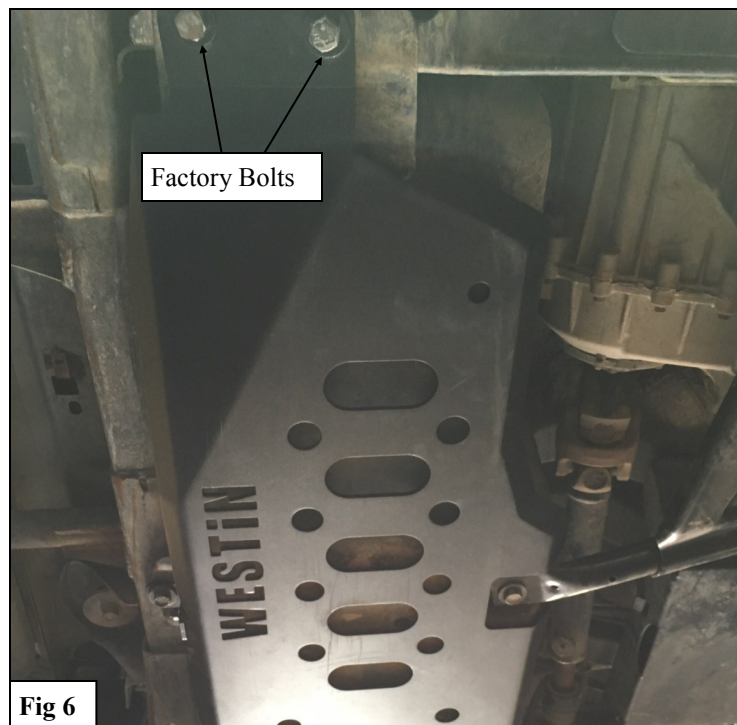


**Fig 4**

6. Remove the bolt securing the cross-member to the gas tank and lift the Skid Plate (1) in order to pass it around the arm. See **Figure 5**.
7. Remove the two bolts securing the front of the factory skid plate. Re-use them to secure the front of the Westin Skid Plate (1). See **Figure 6**.

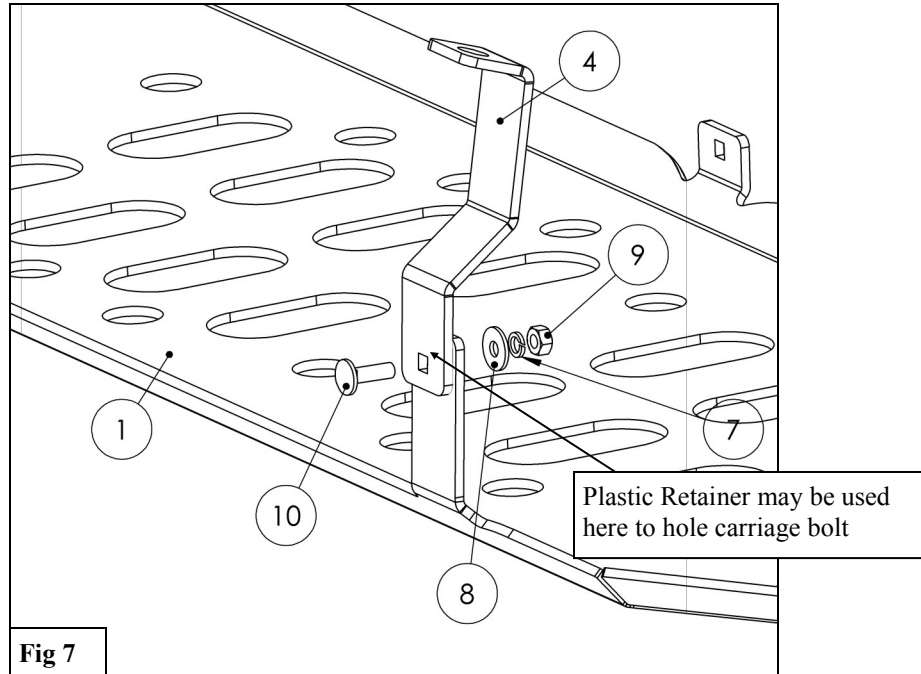


**Fig 5**

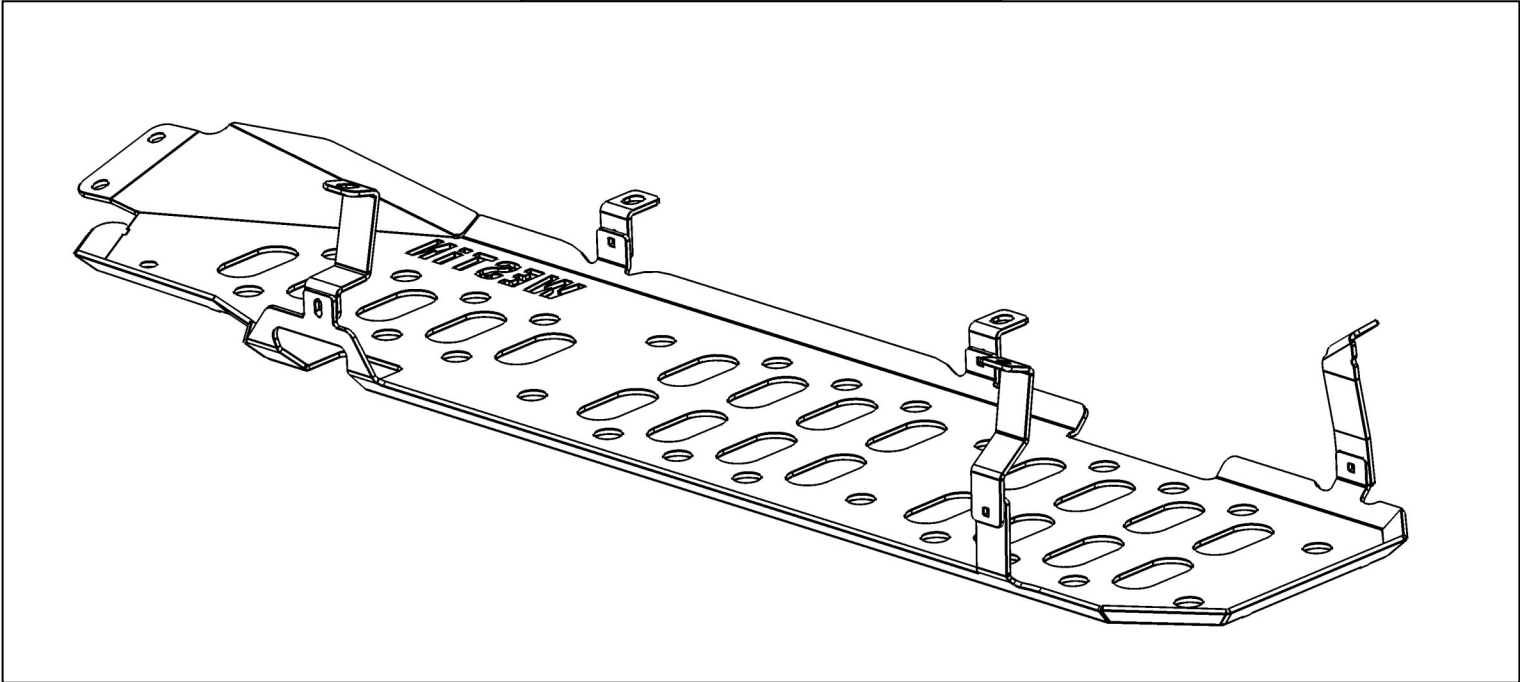


**Fig 6**

8. Use the supplied M8 Hardware to attach the Skid Plate (1) to the Brackets (2-5). See **Figure 7**. *Note: For Brackets 1, 2, & 4 the hardware will install from the inside out.*
9. Tighten all hardware as specified: M8 to 18 ft-lbs.



FOR BRACKET REFERENCE



INSTALLATION COMPLETE



**CARE INSTRUCTIONS**

- REGULAR WAXING IS RECOMMENDED. DO NOT USE ANY TYPE OF POLISH OR WAX THAT MAY CONTAIN ABRASIVES.
- STAINLESS STEEL PRODUCTS CAN BE CLEANED WITH MILD SOAP AND WATER. STAINLESS STEEL POLISH SHOULD BE USED TO POLISH SMALL SCRATCHES.
- GLOSS BLACK FINISHES SHOULD BE CLEANED WITH MILD SOAP AND WATER



## WARNING



Failure to follow these instructions could lead to death, personal injury, and / or property damage.

Failure to follow these instructions could lead to death, personal injury, and / or property damage.

### FASTENERS:

All Westin supplied fasteners must be utilized and installed in accordance with the installation instructions and apply torque to the specifications as defined. **DOUBLE CHECK ALL FASTENERS BEFORE INITIAL USE, AND PERIODICALLY IN THE FUTURE TO ENSURE PROPER FUNCTION AND SAFETY.**

### DRILLING:

Most Westin products do not require drilling for installation. If drilling is defined as required, use caution when drilling a vehicle. **FAILURE TO REVIEW AN AREA TO BE DRILLED MAY RESULT IN PERSONAL INJURY AND/OR INJURY TO OTHERS AS WELL AS VEHICLE DAMAGE.**

### EYE PROTECTION:

**ALWAYS WEAR SAFETY GLASSES OR GOGGLES DURING THE INSTALLATION PROCESS TO AVOID PERSONAL INJURY.**

### MAXIMUM TOWING/CARRYING CAPACITY: (if applicable)

The Westin Receiver Hitches will have a visible tow rating label affixed directly on the product. User should never exceed the vehicle manufacturers maximum tow and weight rating regardless of the capacity of the hitch. **FAILURE TO FOLLOW THESE GUIDELINES WILL VOID THE WESTIN WARRANTY AND MAY RESULT IN PERSONAL INJURY AND/OR INJURY TO OTHERS AS WELL AS VEHICLE DAMAGE.**

### FOR CALIFORNIA RESIDENTS ONLY-PROP 65 WARNING:

Some products may contain chemicals such as DEHP, which can cause cancer, birth defects or other reproductive harm. For more info go to [www.p65warnings.ca.gov](http://www.p65warnings.ca.gov)



Westin Automotive Products, Inc.  
320 W. Covina Blvd  
San Dimas, Ca. 91773