

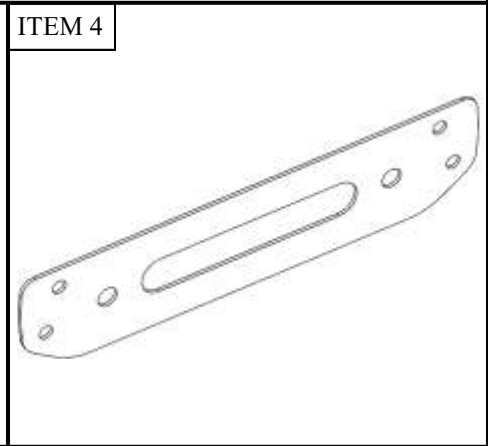
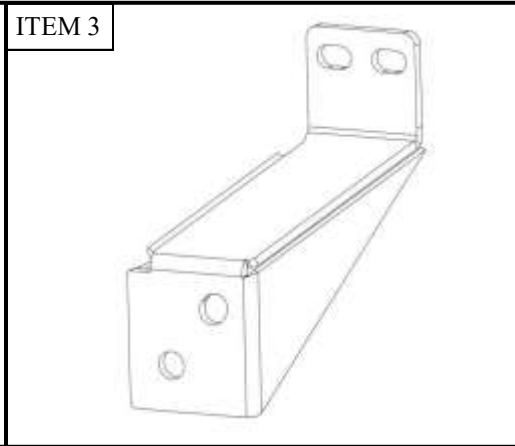
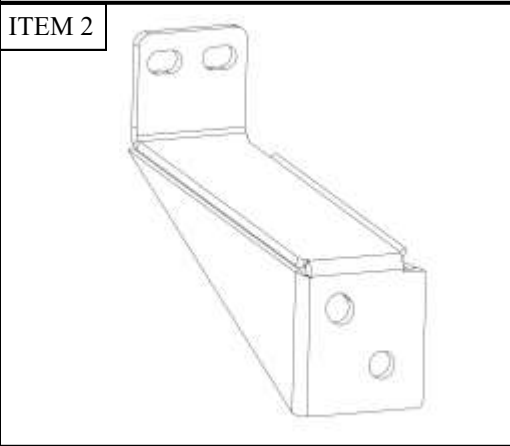
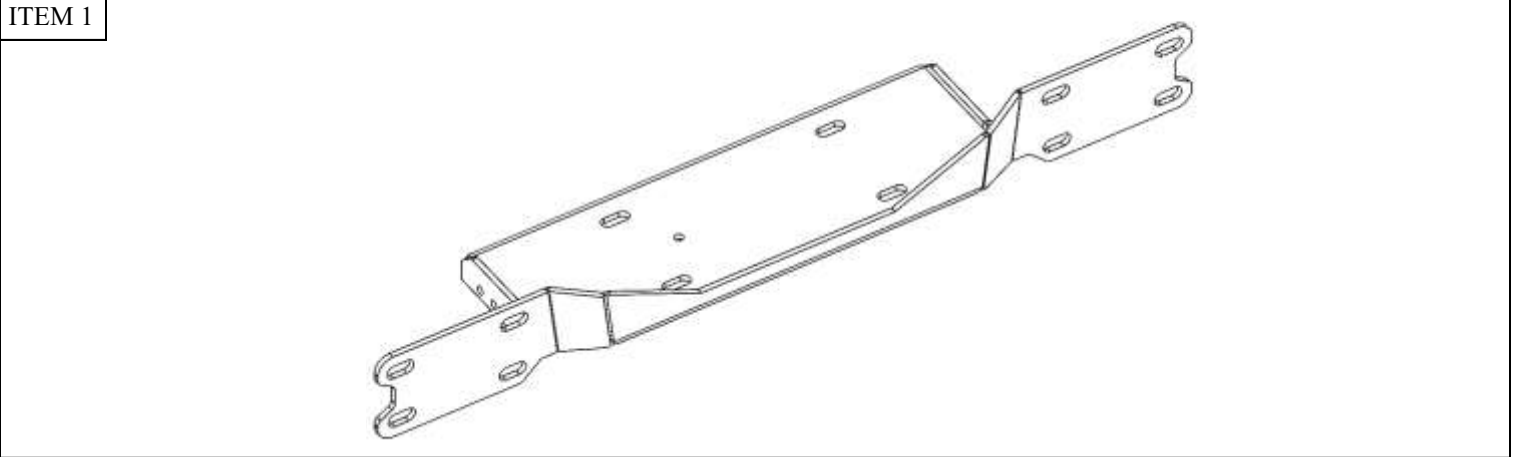
INSTALLATION INSTRUCTIONS



MAX WINCH TRAY
APPLICATION:
 2018-2022 Jeep Wrangler JL 2-door / Wrangler JL Unlimited 4-door (Excl. 2018 JK)
 2020-2022 Jeep Gladiator
PART NUMBER:
 46-23925

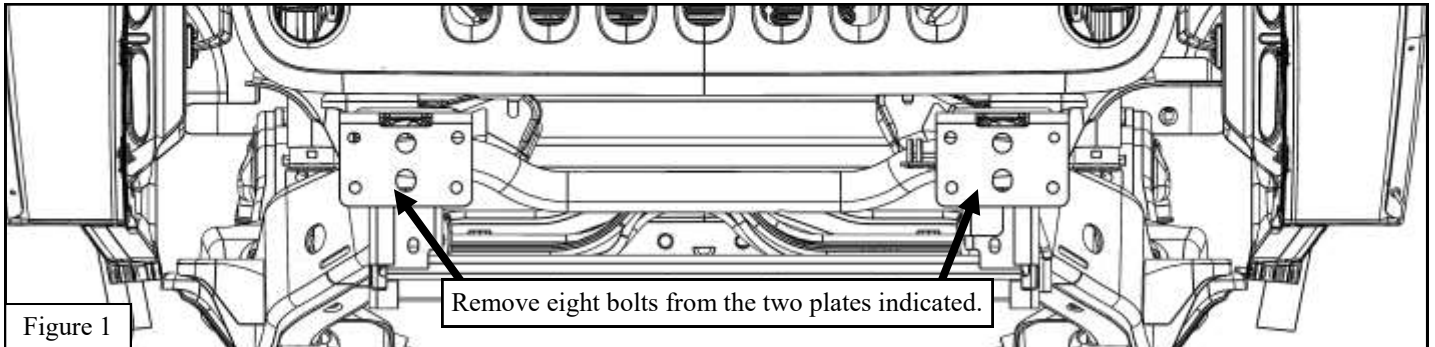
| CONTENT | | | |
|---------|----------|----------------------------|---------------|
| ITEM | QUANTITY | DESCRIPTION | TOOLS NEEDED |
| 1 | 1 | WINCH TRAY | 13MM WRENCH |
| 2 | 1 | DRIVER MOUNTING BRACKET | 13MM SOCKET |
| 3 | 1 | PASSENGER MOUNTING BRACKET | 17MM WRENCH |
| 4 | 1 | FAIRLEAD PLATE | 17MM SOCKET |
| 5 | 4 | M8 BUTTON HEAD BOLT | RATCHET |
| 6 | 4 | M8 FLAT WASHER | TORQUE WRENCH |
| 7 | 4 | M8 SERRATED FLANGE NUT | PRY TOOL |
| 8 | 4 | M10 BUTTON HEAD BOLT | |
| 9 | 4 | M10 HEX NUT | |
| 10 | 4 | M10 FLAT WASHER | |
| 11 | 4 | M10 SPLIT LOCK WASHER | |

ANTI-SEIZE LUBRICANT MUST BE USED ON ALL STAINLESS STEEL FASTENERS TO PREVENT THREAD DAMAGE AND GALLING

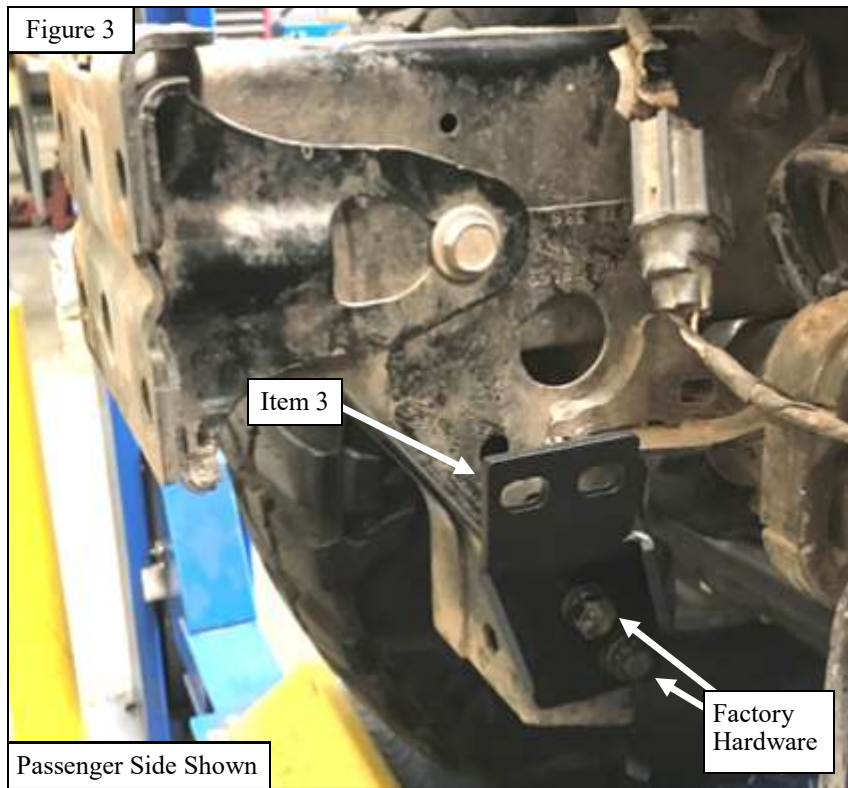


PROCEDURE

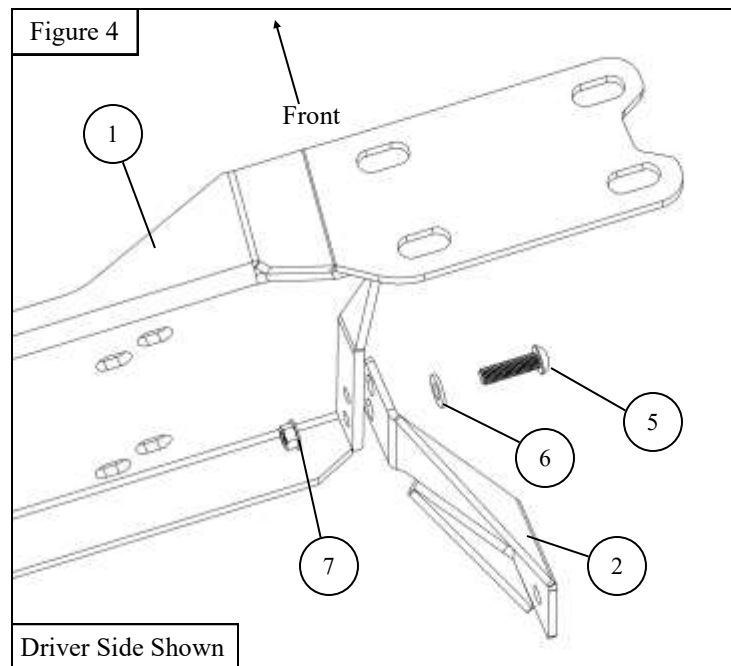
1. Remove contents from box, verify if all parts listed are present and free from damage. Carefully read and understand all instructions before attempting installation.
Failure to identify damage before installation could lead to a rejection of any claim.
2. Remove the factory bumper from the vehicle:
 - a. Remove the plastic valence underneath factory front bumper. *Note: Use a pry tool to remove the clips holding it in place.*
 - b. Disconnect all electrical connections to the stock front bumper.
 - c. Remove the eight bolts fastening the stock bumper to the frame. See **Figure 1** for reference.
 - d. The support bracket bolt on each side will need to be loosened. See **Figure 2** for reference.



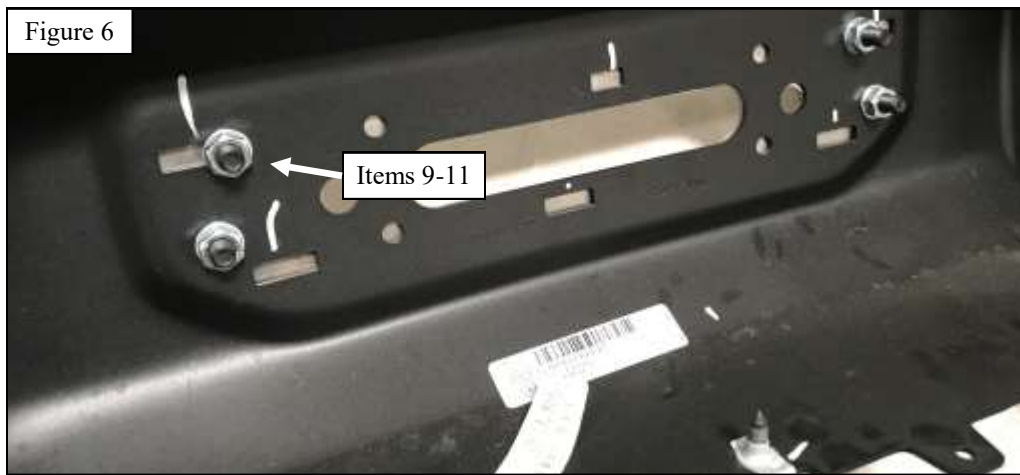
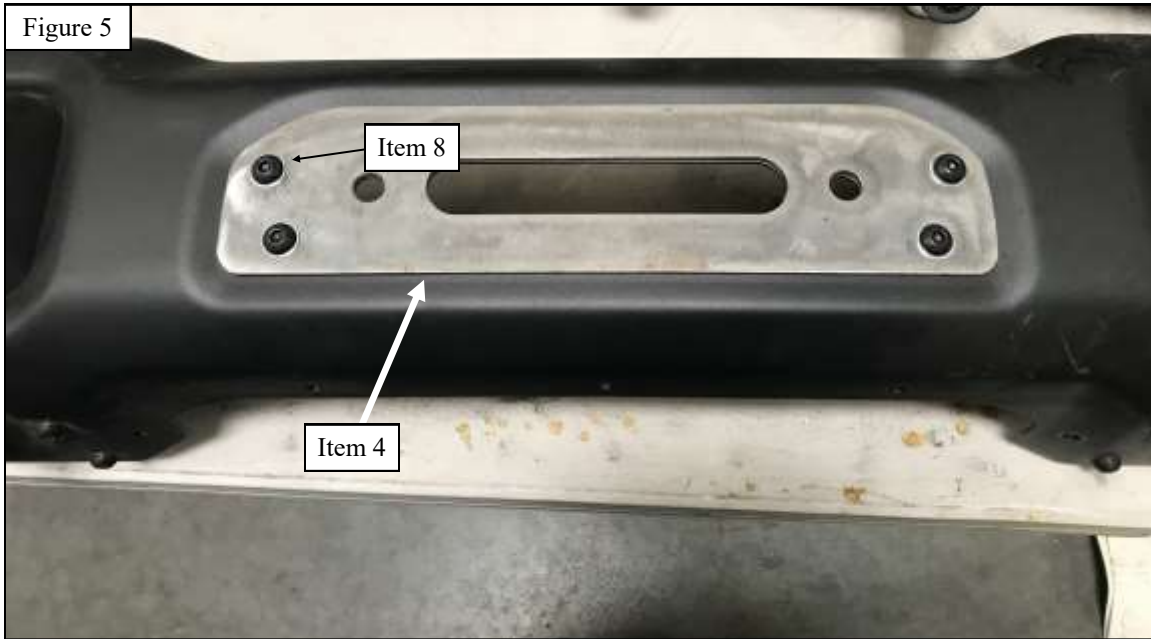
3. Loosely install the Driver and Passenger Mounting Brackets (Items 2-3) on to the inside of the frame reusing the factory hardware. See **Figure 3** for reference.



4. Using the supplied M8 hardware, mount the winch tray to the mounting brackets. See **Figure 4** for reference.



5. Remove the center plastic fairlead cover by pushing it out or tapping it carefully with a hammer.
 6. Install the Fairlead Plate using the supplied M10 Hardware on to the factory bumper. See **Figures 5 & 6** for reference.



7. Tighten M8 hardware to 15-18 ft-lbs. and M10 hardware to 30-35 ft-lbs.
8. Install the winch per winch manufacturer's instructions.
9. Reinstall the factory bumper over the winch plate using the factory hardware. Torque factory M12 bolts to 65-70 ft-lbs.

INSTALLATION COMPLETE



Winch sold separately.

CARE INSTRUCTIONS

- REGULAR WAXING IS RECOMMENDED. DO NOT USE ANY TYPE OF POLISH OR WAX THAT MAY CONTAIN ABRASIVES.
- STAINLESS STEEL PRODUCTS CAN BE CLEANED WITH MILD SOAP AND WATER. STAINLESS STEEL POLISH SHOULD BE USED TO POLISH SMALL SCRATCHES.
- GLOSS BLACK FINISHES SHOULD BE CLEANED WITH MILD SOAP AND WATER.

WESTIN

Westin Automotive Products, Inc.
320 W. Covina Blvd
San Dimas, Ca. 91773



WARNING



Failure to follow these instructions could lead to death, personal injury, and / or property damage.

Failure to follow these instructions could lead to death, personal injury, and / or property damage.

FASTENERS:

All Westin supplied fasteners must be utilized and installed in accordance with the installation instructions and apply torque to the specifications as defined. **DOUBLE CHECK ALL FASTENERS BEFORE INITIAL USE, AND PERIODICALLY IN THE FUTURE TO ENSURE PROPER FUNCTION AND SAFETY.**

DRILLING:

Most Westin products do not require drilling for installation. If drilling is defined as required, use caution when drilling a vehicle. **FAILURE TO REVIEW AN AREA TO BE DRILLED MAY RESULT IN PERSONAL INJURY AND/OR INJURY TO OTHERS AS WELL AS VEHICLE DAMAGE.**

EYE PROTECTION:

ALWAYS WEAR SAFETY GLASSES OR GOGGLES DURING THE INSTALLATION PROCESS TO AVOID PERSONAL INJURY.

MAXIMUM TOWING/CARRYING CAPACITY: (if applicable)

The Westin Receiver Hitches will have a visible tow rating label affixed directly on the product. User should never exceed the vehicle manufacturers maximum tow and weight rating regardless of the capacity of the hitch. **FAILURE TO FOLLOW THESE GUIDELINES WILL VOID THE WESTIN WARRANTY AND MAY RESULT IN PERSONAL INJURY AND/OR INJURY TO OTHERS AS WELL AS VEHICLE DAMAGE.**

FOR CALIFORNIA RESIDENTS ONLY-PROP 65 WARNING:

Some products may contain chemicals such as DEHP, which can cause cancer, birth defects or other reproductive harm. For more info go to www.p65warnings.ca.gov



Westin Automotive Products, Inc.
320 W. Covina Blvd
San Dimas, Ca. 91773