

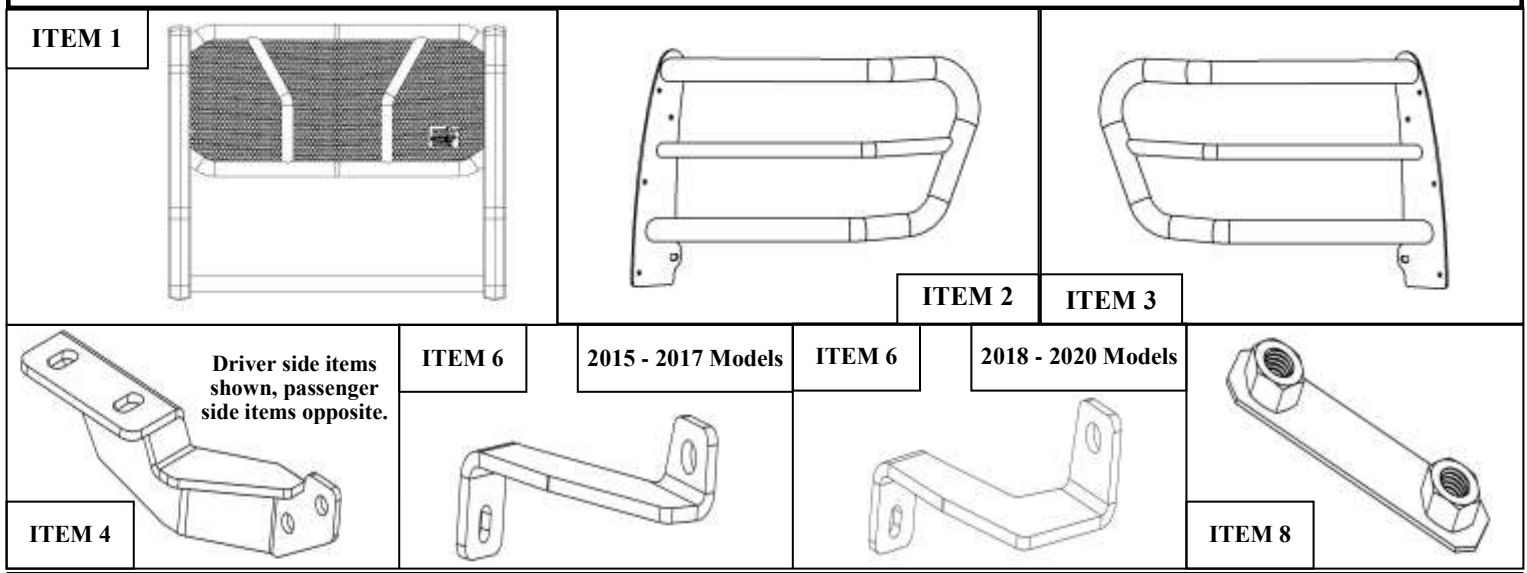
# INSTALLATION INSTRUCTIONS



**HDX MODULAR GRILLE GUARD**  
**APPLICATION:**  
 2015-2020 Ford F-150 (Excl. Platinum & Raptor) (W/ Front Camera)  
**PART NUMBER:**  
 57-23835

ITEM	QUANTITY	DESCRIPTION	TOOLS NEEDED
1	1	HDX GRILLE GUARD BASE	14MM SOCKET
2	1	HDX GRILLE GUARD DRIVER WING	15MM SOCKET
3	1	HDX GRILLE GUARD PASSENGER WING	18MM SOCKET
4, 5	2	LOWER MOUNTING BRACKET, DRIVER (4) AND PASSENGER (5)	UTILITY KNIFE
6, 7	2	UPPER SUPPORT BRACKET, DRIVER (6) AND PASSENGER (7)	PRY TOOL
8	2	8MM SPACER	ALLEN WRENCH
9	2	DOUBLE NUT PLATE	SOCKET EXT.
10	8	M8 HEX BUTTON HEAD SCREW	RATCHET
11	8	M8 HEX FLANGED NUT	TORQUE WRENCH
12	8	M8 BELLVILLE WASHER	
13	2	M8 HEX HEAD FLANGED BOLT	
14	2	M8 LOCK WASHER	
15	2	M8 FLAT WASHER	
16	4	M12 HEX HEAD FLANGED BOLT	
17	6	M12 HEX BUTTON HEAD SCREW	
18	6	M12 BELLVILLE WASHER	
19	6	M12 HEX FLANGED NUT	
20	4	M12 LOCK WASHER	
21	4	M12 FLAT WASHER	

**ANTI-SEIZE LUBRICANT MUST BE USED ON ALL STAINLESS STEEL FASTENERS TO PREVENT THREAD DAMAGE AND GALLING**



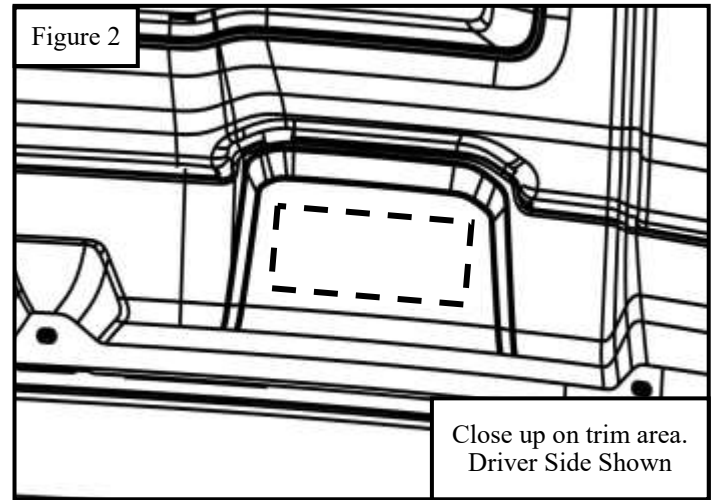
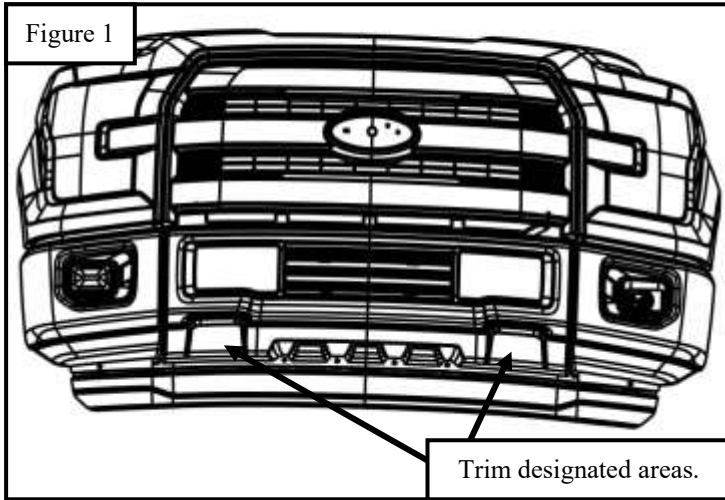
**WESTIN** Westin Automotive Products, Inc.  
 320 W. Covina Blvd  
 San Dimas, Ca. 91773

Thank you for choosing Westin products  
 for additional installation assistance please call  
 Customer Service (800) 793-7846  
 www.westinautomotive.com  
 DATE: 7/8/22

## PROCEDURE

1. Remove contents from box, verify if all parts listed are present and free from damage.  
Carefully read and understand all instructions before attempting installation.  
**Failure to identify damage before installation could lead to a rejection of any claim.**

2. For vehicles **without** factory tow hooks: Trim the plastic in the areas in **Figures 1 - 2**. Repeat for the passenger side.



3. For vehicles **with** factory tow hooks: Remove tow hooks and loosely install Lower Mounting Brackets to factory nut plates using supplied M12 hardware as shown in **Figure 4**. Trim screws if they interfere with lower mounting bracket. See **Figure 5**.
4. For vehicles **without** tow hooks: Slip double nut plates into frame and line up with existing holes. See **Figure 3**. Loosely install the Lower Mounting Brackets using the supplied M12 hardware as shown in **Figure 4**. Trim screws if they interfere with lower mounting bracket. See **Figure 5**.
5. For **2015-2017 Models Only**: Remove all factory hardware and clips attached to grille, then remove grille. See **Figures 6 - 12**.

Figure 3

**Vehicle w/o tow hooks:**  
Slide nut plate through designated area. Repeat for passenger side.  
Driver Side Shown.



Figure 4

Install lower mounting bracket using supplied M12 hardware. Repeat for passenger side.  
Driver Side Shown.

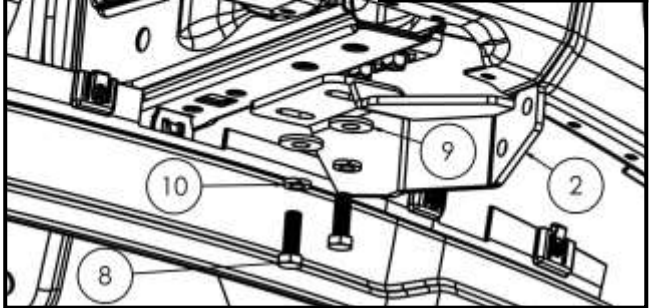


Figure 5

Trim screws if interfering with lower mounting bracket.  
Passenger Side Shown.

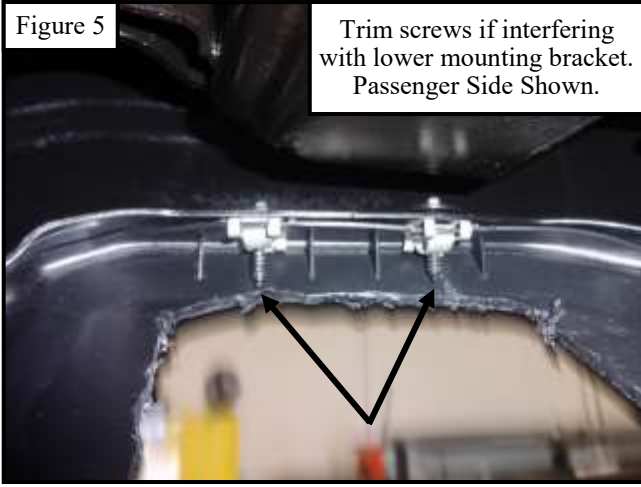


Figure 6

Remove bolt on top of grille located underneath hood.  
Driver Side Shown.

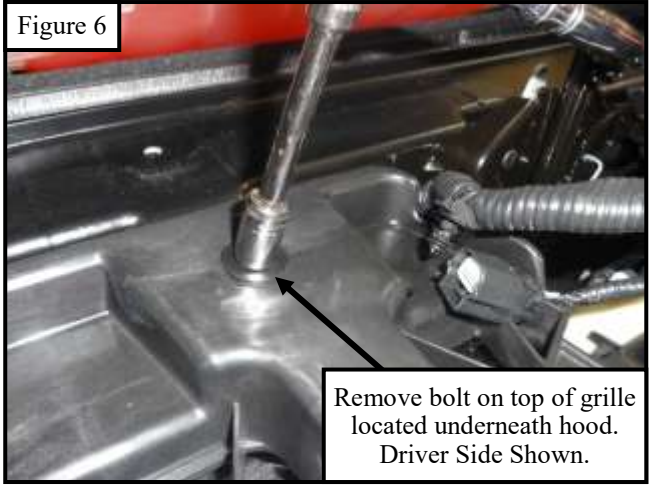


Figure 7

Remove bolt on top of grille located underneath hood.  
Passenger Side Shown.

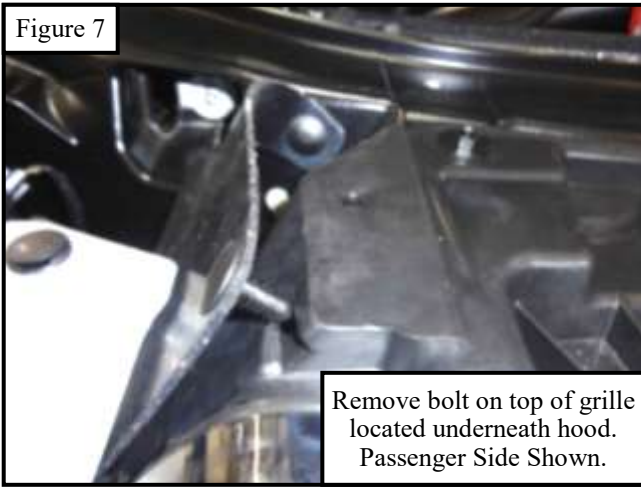
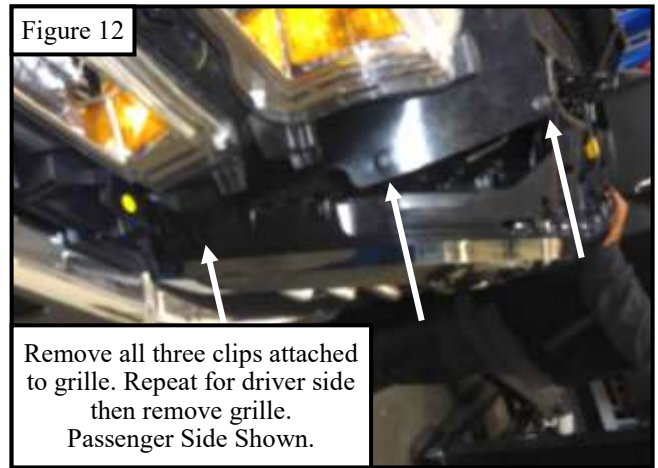
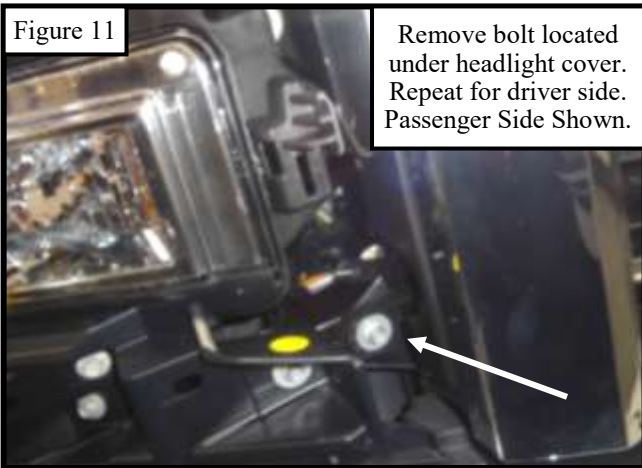
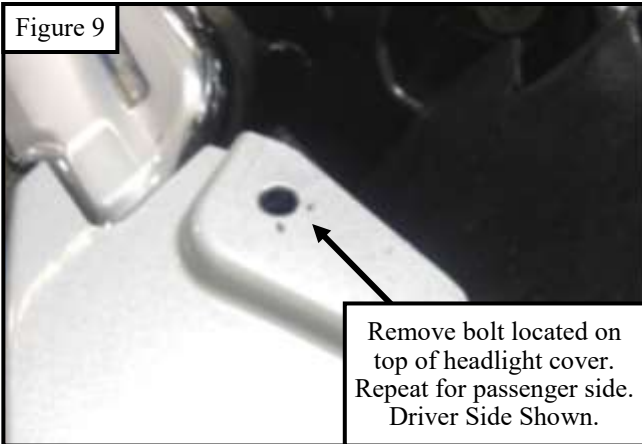


Figure 8

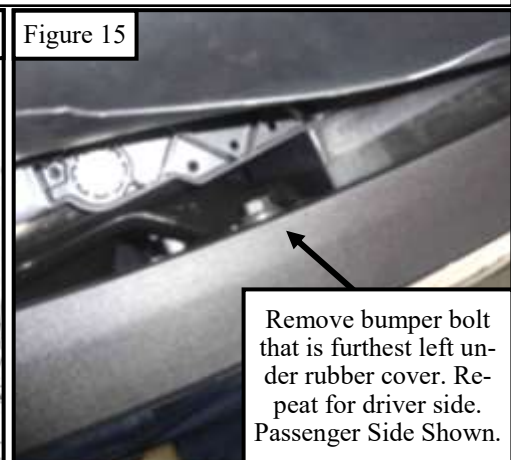
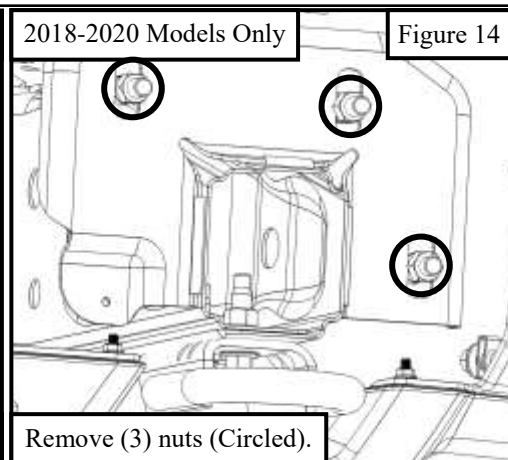
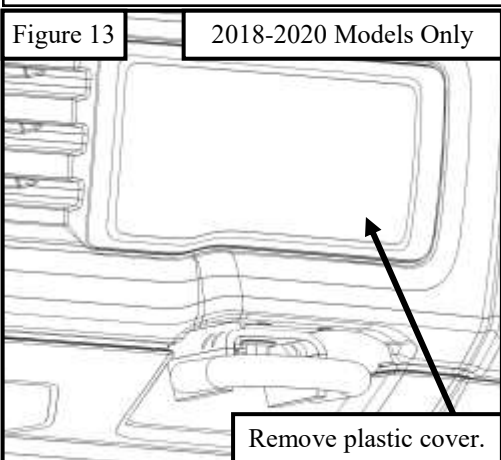
Remove bolts located next to mud guard.  
Repeat for passenger side.  
Driver Side Shown

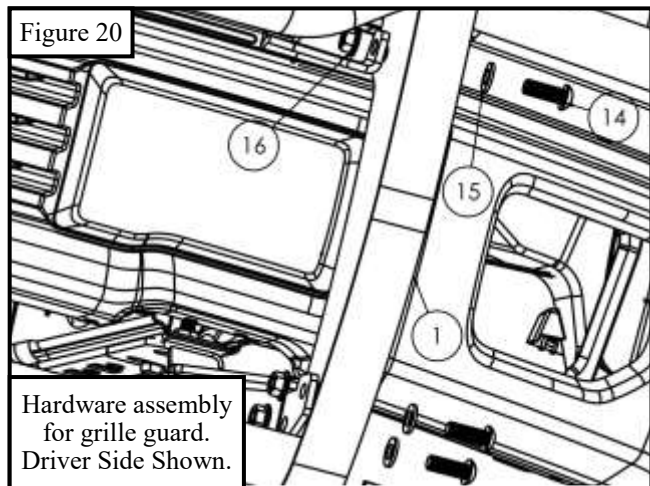
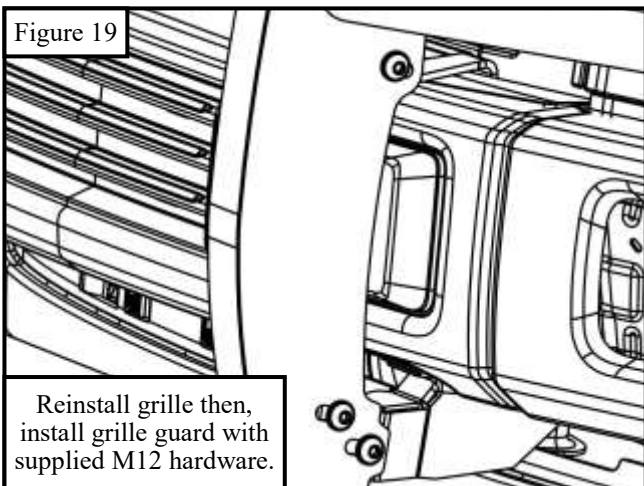
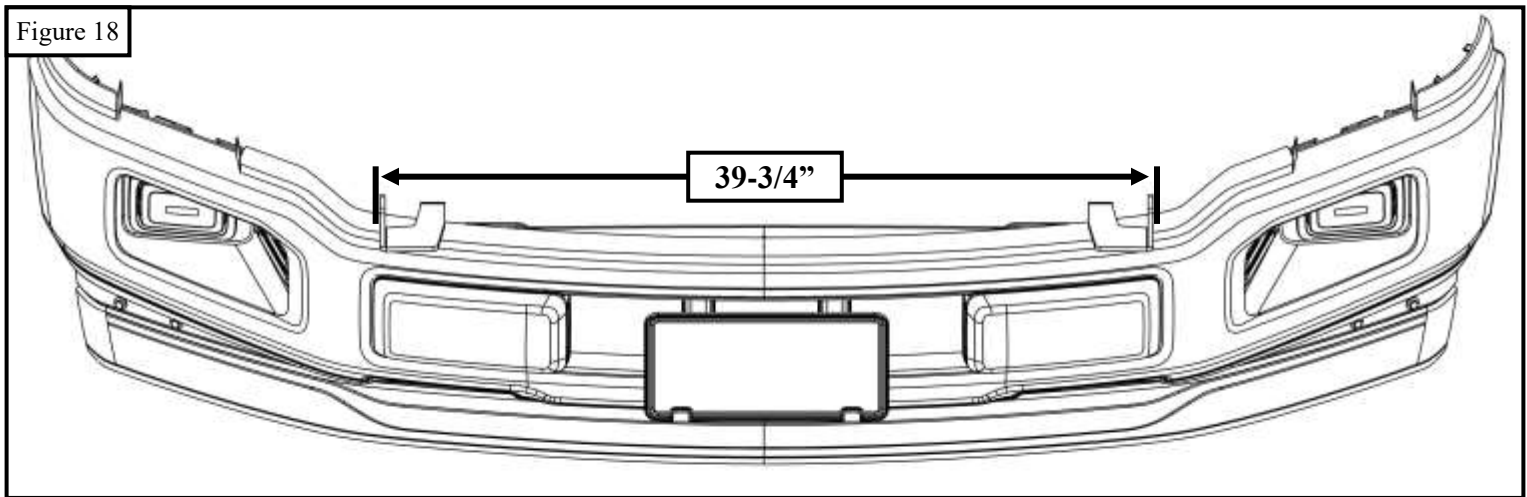
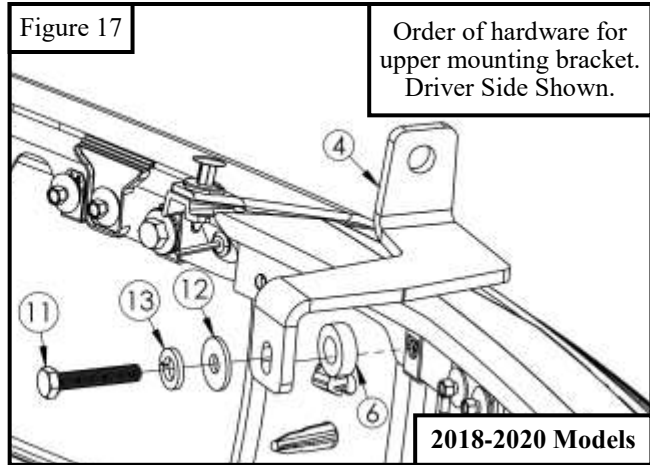
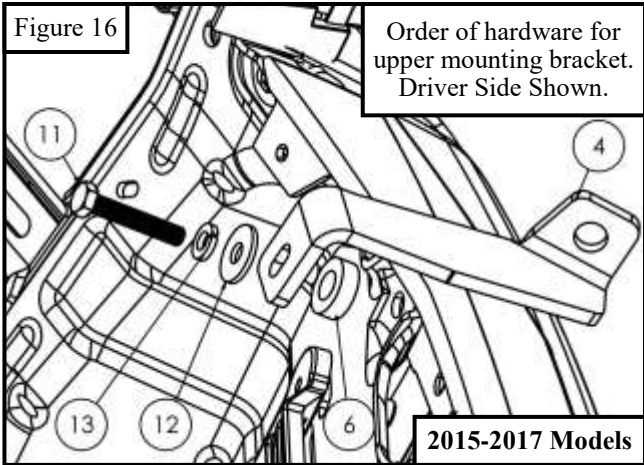






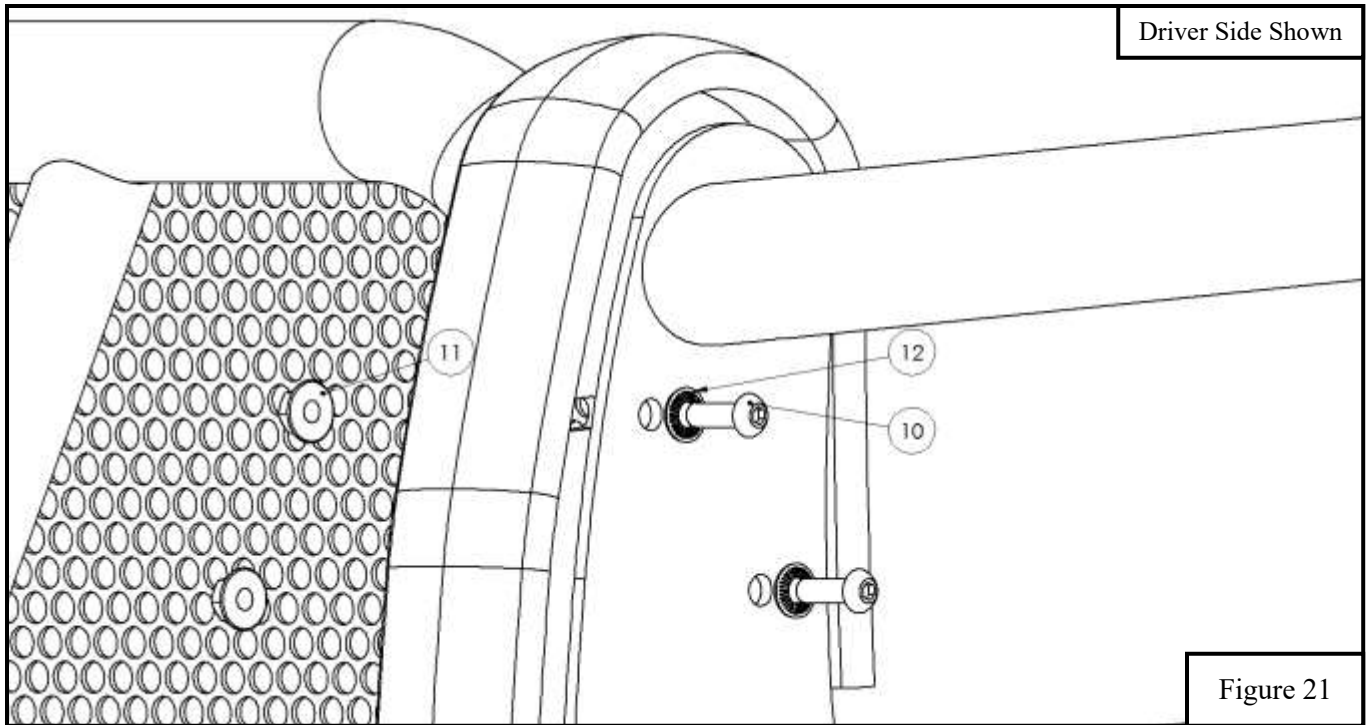
6. **For 2018-2020 Models Only:** Remove plastic covers that are located above the location of the tow hooks to expose (3) nuts on each side. Then, remove the nuts in order to remove the front bumper. See **Figures 13 & 14** for reference.
7. **For all vehicle models:** Remove factory bumper bolt as shown in **Figure 15**. Install the Upper Mounting Bracket (Item 6 & 7) using the supplied M8 hardware. Make sure the brackets are approximately 39-3/4" apart from outer bracket flange. For the 2018-2020 models, make sure to lay the bracket firmly on top of the rubber strip that is on top of the bumper. Tighten M8 hardware to 15 ft-lbs. See **Figures 16 through 18**. *Note: Figure 16 for 2015-2017 models and Figure 17 for 2018-2020 models.*
8. Reinstall grille, headlight covers, and any other parts removed in the reverse order of the install instructions.
9. With assistance hold the Grille Guard up to the previously installed brackets. Loosely attach the Grille Guard to the brackets using the supplied M12 hardware. See **Figures 19 and 20**.
10. Align and adjust the Grille Guard as necessary. Tighten and torque M12 hardware to 50-55 ft-lbs.



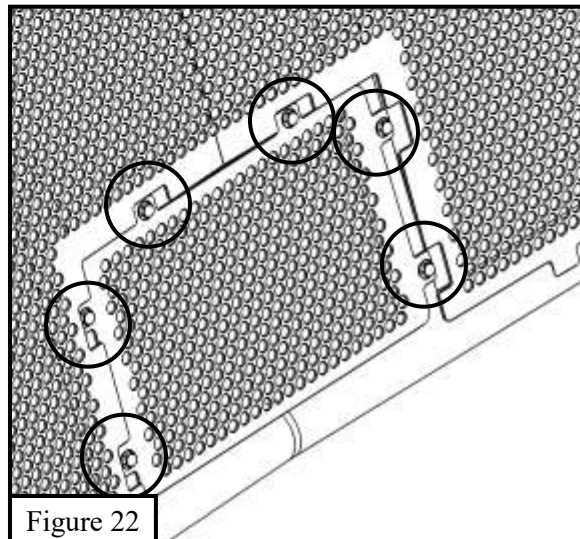




11. Locate and install the HDX Driver and Passenger Wings (**2 and 3**) using M8 hardware. See **Figure 21** for reference.
12. Align and adjust the HDX Driver and Passenger Wings as needed. Then fully tighten all hardware at this time. Tighten and torque all M8 hardware to 15-18 ft-lbs..



13. For models with front cameras, remove the screen in the Grille Guard as shown in **Figure 22**.



**INSTALLATION COMPLETE**



**CARE INSTRUCTIONS**

- REGULAR WAXING IS RECOMMENDED. DO NOT USE ANY TYPE OF POLISH OR WAX THAT MAY CONTAIN ABRASIVES.
- STAINLESS STEEL PRODUCTS CAN BE CLEANED WITH MILD SOAP AND WATER. STAINLESS STEEL POLISH SHOULD BE USED TO POLISH SMALL SCRATCHES.
- GLOSS BLACK FINISHES SHOULD BE CLEANED WITH MILD SOAP AND WATER.

**WESTIN** Westin Automotive Products, Inc.  
320 W. Covina Blvd  
San Dimas, Ca. 91773

Thank you for choosing Westin products  
for additional installation assistance please call  
Customer Service (800) 793-7846  
[www.westinautomotive.com](http://www.westinautomotive.com)  
DATE: 7/8/22



## WARNING



Failure to follow these instructions could lead to death, personal injury, and / or property damage.

Failure to follow these instructions could lead to death, personal injury, and / or property damage.

### FASTENERS:

All Westin supplied fasteners must be utilized and installed in accordance with the installation instructions and apply torque to the specifications as defined. **DOUBLE CHECK ALL FASTENERS BEFORE INITIAL USE, AND PERIODICALLY IN THE FUTURE TO ENSURE PROPER FUNCTION AND SAFETY.**

### DRILLING:

Most Westin products do not require drilling for installation. If drilling is defined as required, use caution when drilling a vehicle. **FAILURE TO REVIEW AN AREA TO BE DRILLED MAY RESULT IN PERSONAL INJURY AND/OR INJURY TO OTHERS AS WELL AS VEHICLE DAMAGE.**

### EYE PROTECTION:

**ALWAYS WEAR SAFETY GLASSES OR GOGGLES DURING THE INSTALLATION PROCESS TO AVOID PERSONAL INJURY.**

### MAXIMUM TOWING/CARRYING CAPACITY: (if applicable)

The Westin Receiver Hitches will have a visible tow rating label affixed directly on the product. User should never exceed the vehicle manufacturers maximum tow and weight rating regardless of the capacity of the hitch. **FAILURE TO FOLLOW THESE GUIDELINES WILL VOID THE WESTIN WARRANTY AND MAY RESULT IN PERSONAL INJURY AND/OR INJURY TO OTHERS AS WELL AS VEHICLE DAMAGE.**

### FOR CALIFORNIA RESIDENTS ONLY-PROP 65 WARNING:

Some products may contain chemicals such as DEHP, which can cause cancer, birth defects or other reproductive harm. For more info go to [www.p65warnings.ca.gov](http://www.p65warnings.ca.gov)



Westin Automotive Products, Inc.  
320 W. Covina Blvd  
San Dimas, Ca. 91773