

INSTALLATION INSTRUCTIONS



HDX MODULAR GRILLE GUARD

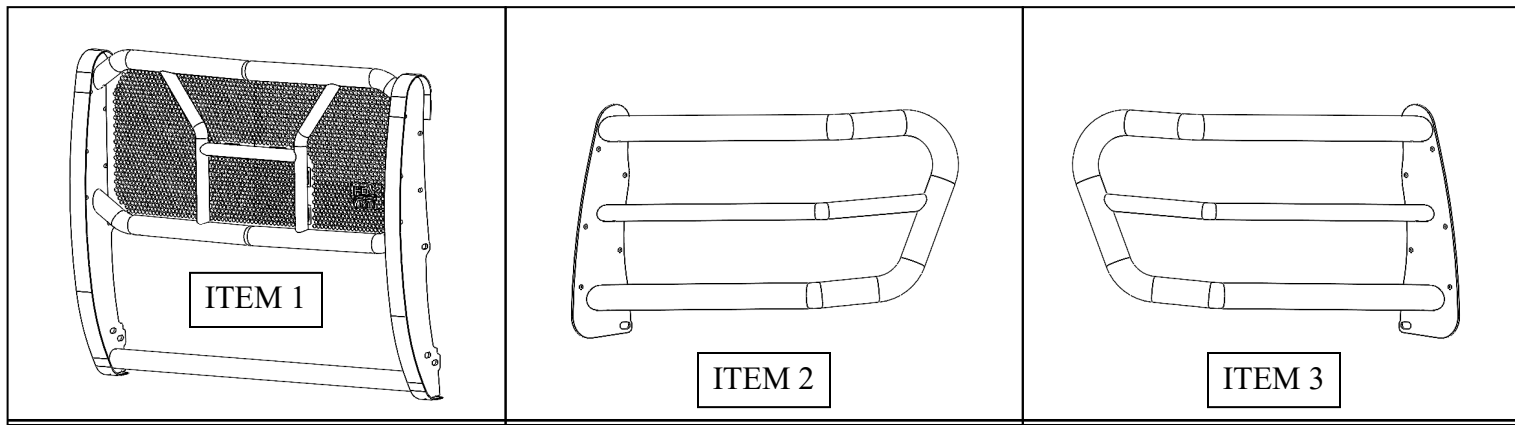
APPLICATION:

Ford F-150 2015-2020 (Excl. W/Sensors)

PART NUMBER: 57-23935

ITEM	QUANTITY	DESCRIPTION	TOOLS NEEDED
1	1	HDX GRILLE GUARD BASE	14MM SOCKET
2	1	HDX DRIVER WING	15MM SOCKET
3	1	HDX PASSNGER WING	18MM SOCKET
4	1	DRIVER LOWER MOUNTING BRACKET	UTILITY KNIFE
5	1	PASSENGER LOWER MOUNTING BRACKET	PRY TOOL
6	2	DRIVER UPPER SUPPORT BRACKET (FIGURES SHOW APPROPRIATE BRACKET FOR 2015-2017 AND 2018-2020 MODELS)	ALLEN WRENCH
7	2	PASSENGER UPPER SUPPORT BRACKET (FIGURES SHOW APPROPRIATE BRACKET FOR 2015-2017 AND 2018-2020 MODELS)	SOCKET EXT.
8	2	8MM SPACER	RATCHET
9	2	M12 DOUBLE NUT PLATE	TORQUE WRENCH
10	4	M12 HEX CAP SCREW (YELLOW ZINC)	
11	4	M12 FLAT WASHER (YELLOW ZINC)	
12	4	M12 SPLIT LOCK WASHER (YELLOW ZINC)	
13	2	M8 HEX CAP SCREW (YELLOW ZINC)	
14	2	M8 FLAT WASHER (YELLOW ZINC)	
15	2	M8 SPLIT LOCK WASHER (YELLOW ZINC)	
16	6	M12 HEX BUTTON HEAD SCREW (STAINLESS)	
17	6	M12 CUPPED WASHER (STAINLESS)	
18	6	M12 SERRATED FLANGE NUT (STAINLESS)	
19	10	M8 BUTTON HEAD HEX SOCKET BOLT	
20	10	M8 BELLVILLE WASHER	
21	10	M8 SERRATED FLANGE NUT	

ANTI-SEIZE LUBRICANT MUST BE USED ON ALL STAINLESS STEEL FASTENERS TO PREVENT THREAD DAMAGE AND GALLING

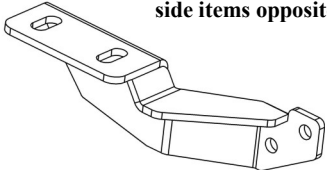
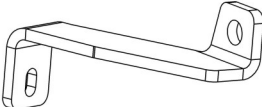
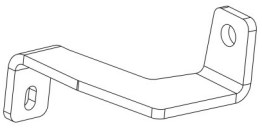
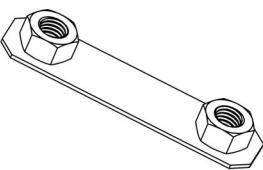


WESTIN Westin Automotive Products, Inc.
320 W. Covina Blvd
San Dimas, Ca. 91773

Thank you for choosing Westin products
for additional installation assistance please call
Customer Service (800) 793-7846

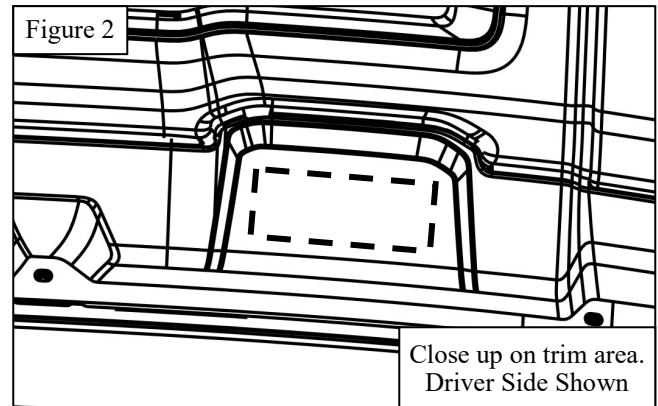
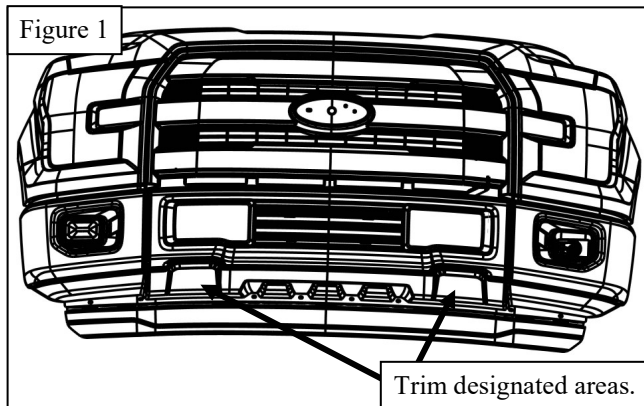
www.westinautomotive.com

DATE: 11/08/21

ITEM 4	Driver side items shown, passenger side items opposite.	ITEM 6	2015 - 2017 Models	ITEM 6	2018-2020 Models	ITEM 7
						

PROCEDURE

1. Remove contents from box, verify if all parts listed are present and free from damage. Carefully read and understand all instructions before attempting installation.
Failure to identify damage before installation could lead to a rejection of any claim.
2. **For vehicles without factory tow hooks:** Trim the plastic in the areas as shown in **Figures 1 & 2**. Repeat for the passenger side. *Note: If you have a 2018-2020 vehicle, the tow hook covers may be removable. See **Step 6** to remove the tow hook covers then proceed with **Step 3**.*



3. **For vehicles with factory tow hooks:** Remove tow hooks and loosely install the Lower Mounting Brackets (Items 4 & 5) to the factory nut plates using supplied M12 hardware as shown in **Figure 4**. *Note: Trimming of screws may be required if they interfere with lower mounting bracket. See **Figure 5** for reference.*
4. **For vehicles without tow hooks:** Slip the M12 Double Nut Plates (Item 9) into frame and line up with existing holes. See **Figure 3** for reference. Loosely install the Lower Mounting Brackets (Items 4 & 5) using the supplied M12 hardware as shown in **Figure 4**. *Note: Trimming of screws may be required if they interfere with lower mounting bracket. See **Figure 5** for reference.*
5. **For 2015-2017 Models Only:** Remove all factory hardware and clips attached to grille, then remove grille. See **Figures 6 through 12** for reference.

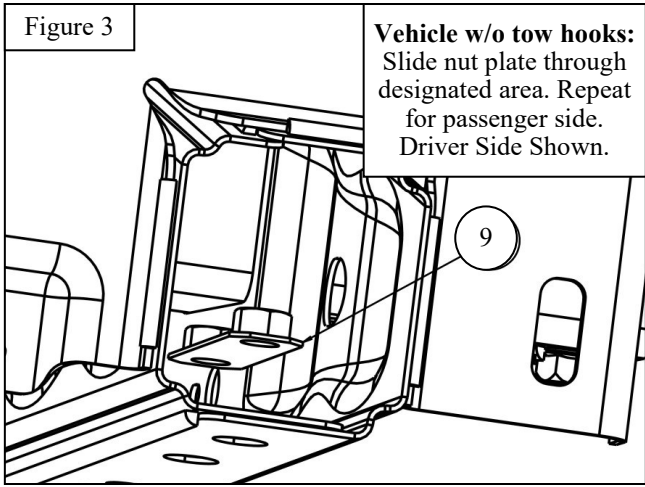


Figure 3

Vehicle w/o tow hooks:
Slide nut plate through designated area. Repeat for passenger side. Driver Side Shown.

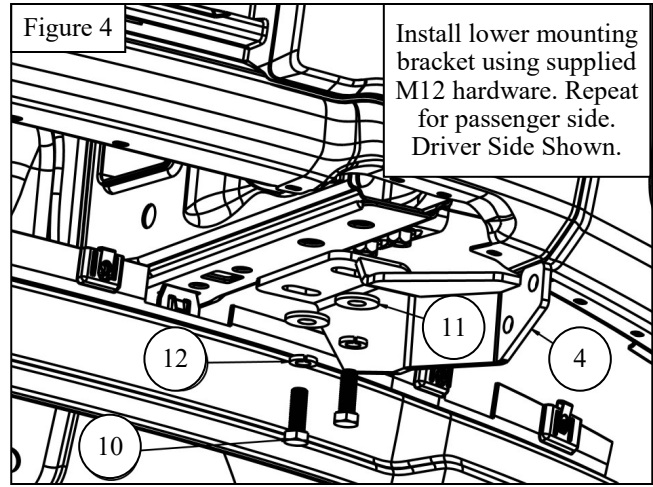


Figure 4

Install lower mounting bracket using supplied M12 hardware. Repeat for passenger side. Driver Side Shown.

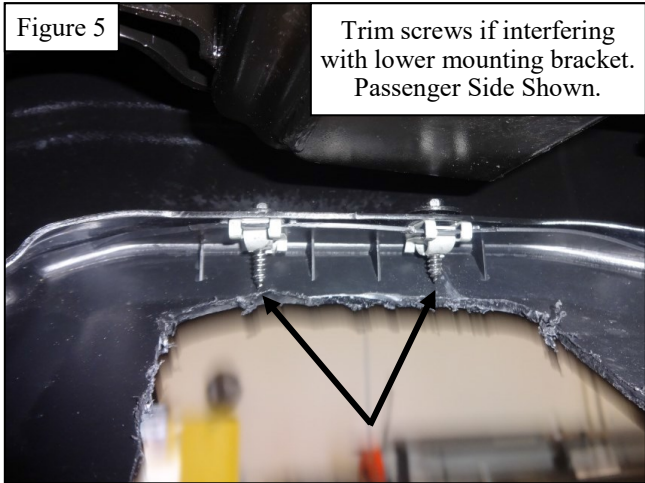


Figure 5

Trim screws if interfering with lower mounting bracket. Passenger Side Shown.

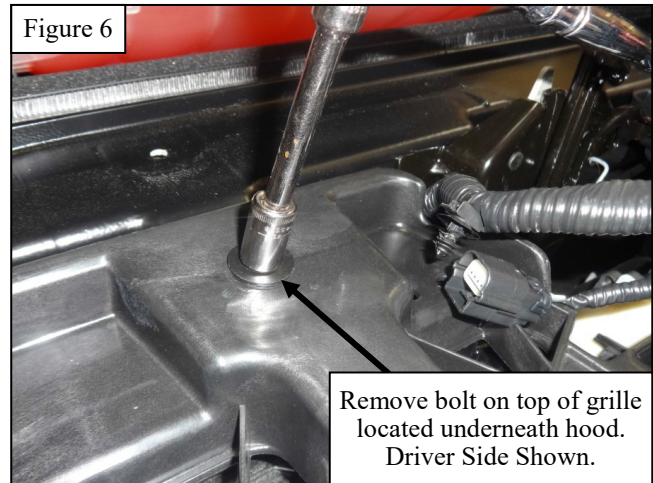


Figure 6

Remove bolt on top of grille located underneath hood. Driver Side Shown.

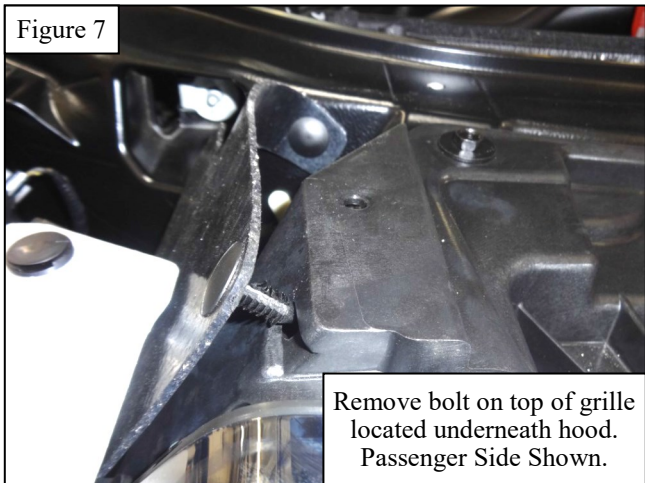


Figure 7

Remove bolt on top of grille located underneath hood. Passenger Side Shown.

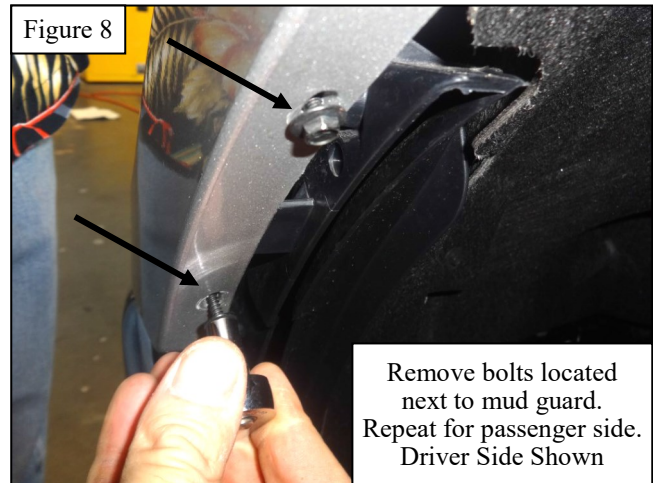
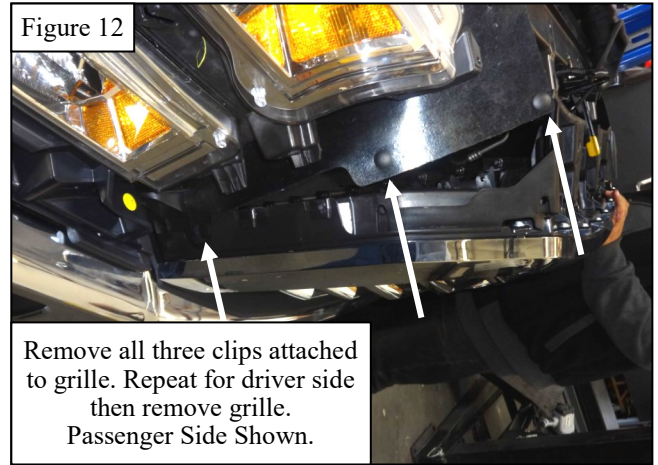
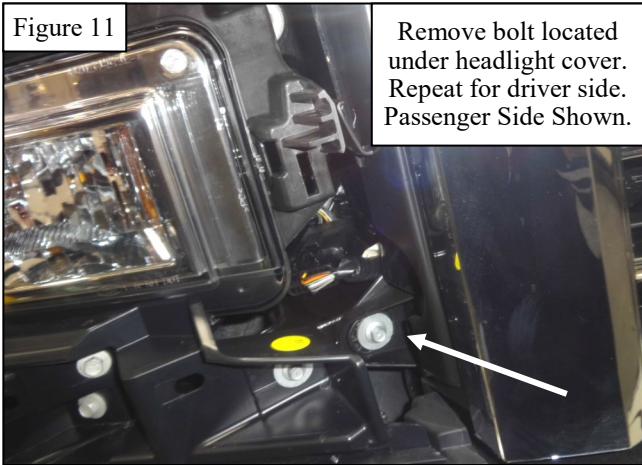
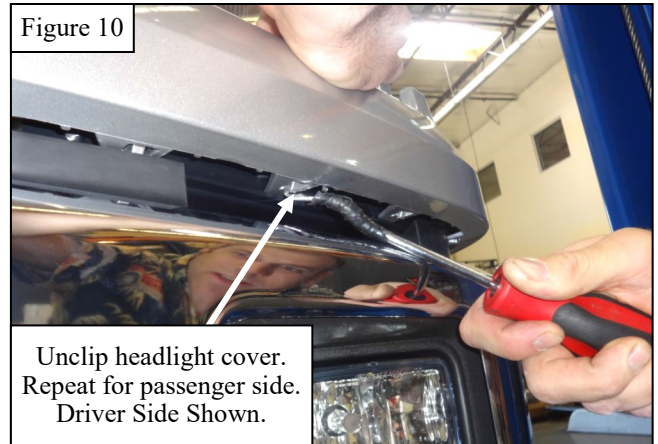
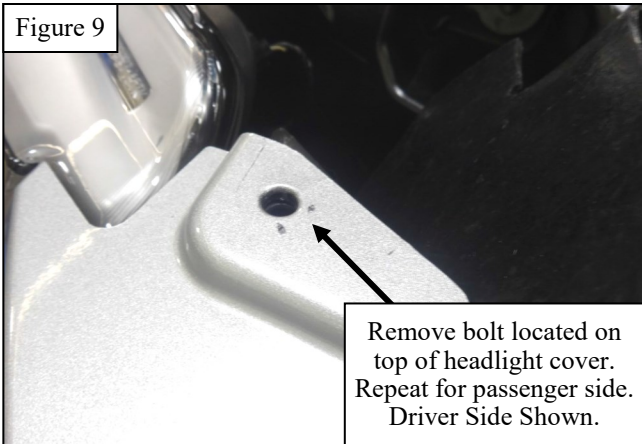
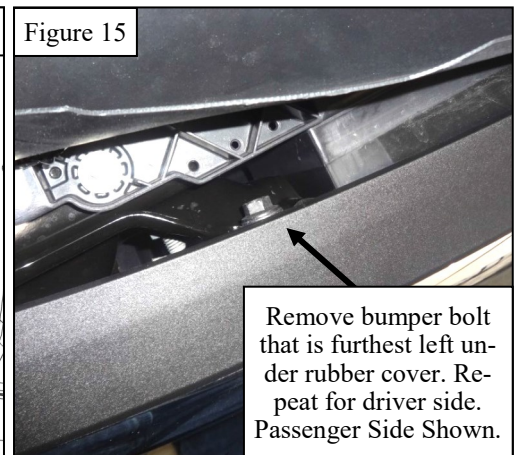
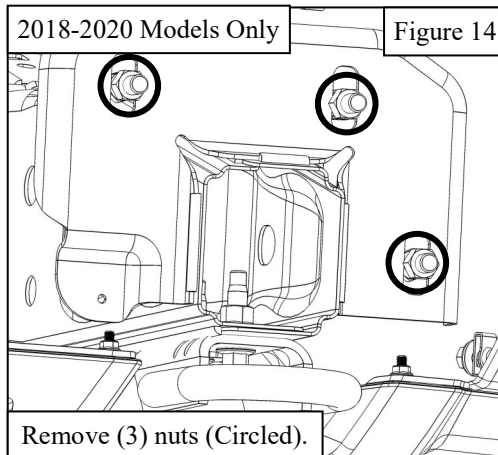
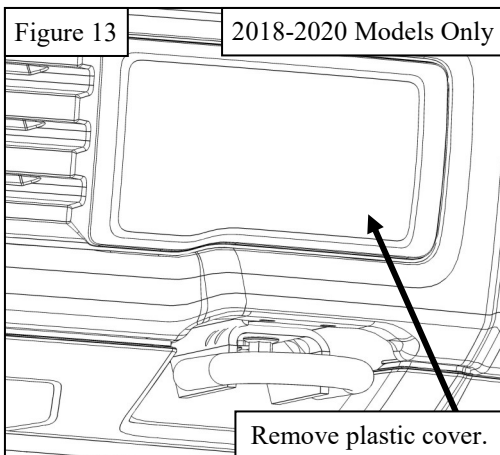


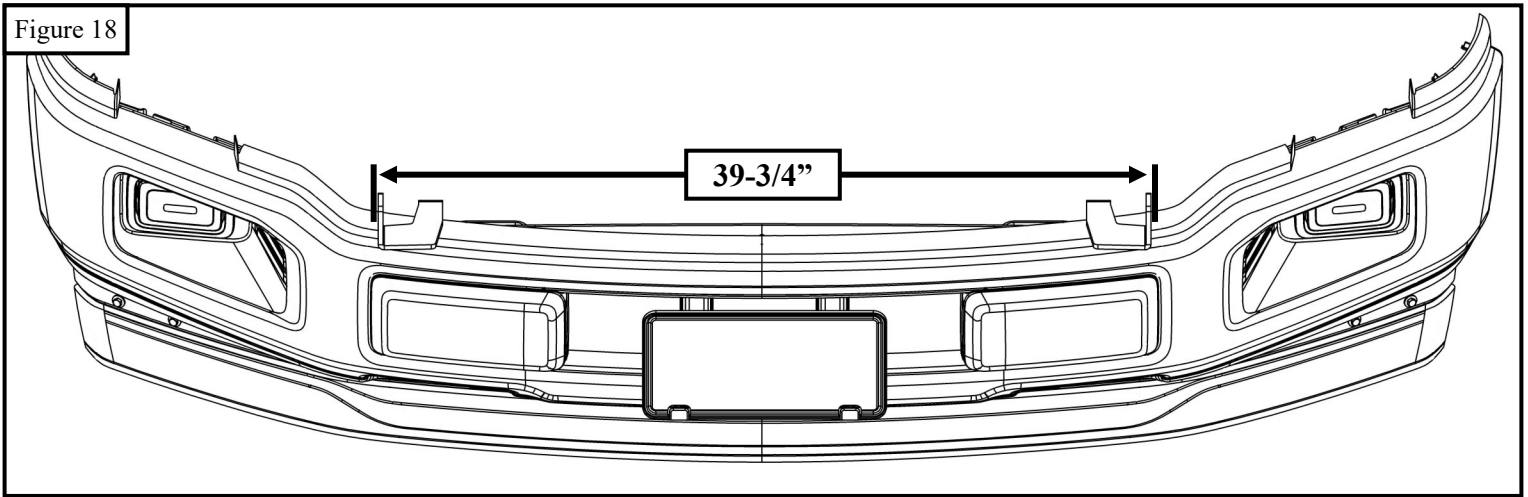
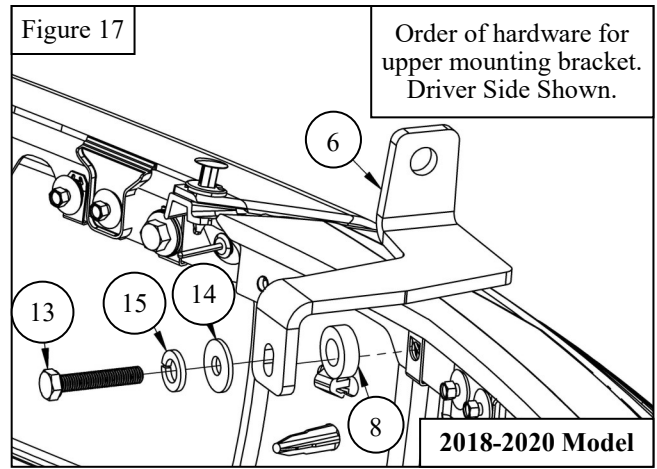
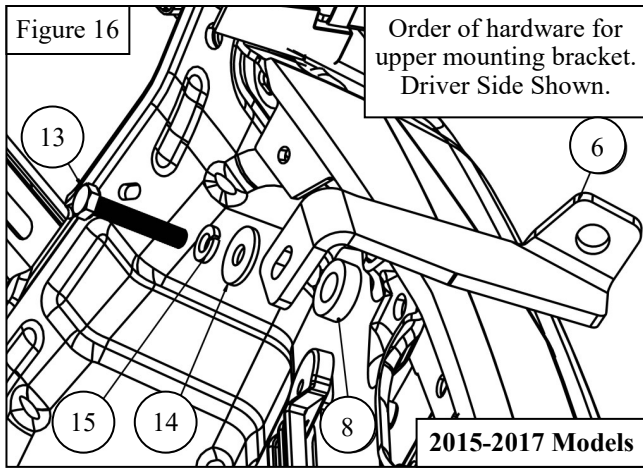
Figure 8

Remove bolts located next to mud guard. Repeat for passenger side. Driver Side Shown

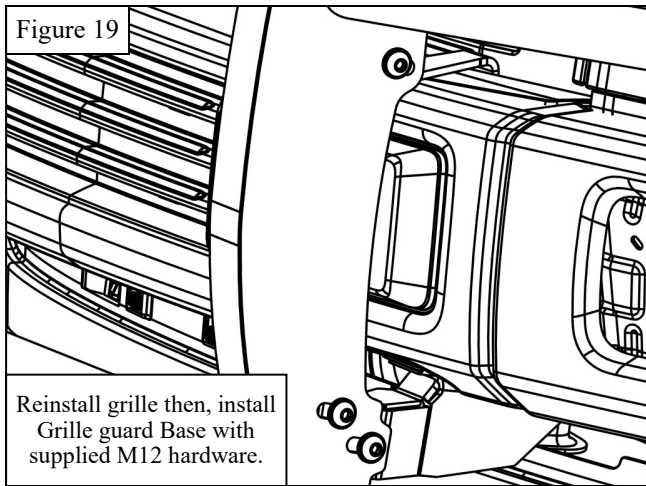


6. **For 2018-2020 Models Only:** Remove plastic covers that are located above the location of the tow hooks to expose (3) nuts on each side. Then, remove the nuts in order to remove the front bumper. See **Figures 13 & 14** for reference.
7. **For all vehicle models:** Remove factory bumper bolt as shown in **Figure 15**. Install the Upper Mounting Bracket (Item 6 & 7) using the supplied M8 hardware. Make sure the brackets are approximately 39-3/4" apart from outer bracket flange. For the 2018-2020 models, make sure to lay the bracket firmly on top of the rubber strip that is on top of the bumper. Tighten M8 hardware to 15 ft-lbs. See **Figures 16 through 18**. *Note: Figure 16 for 2015-2017 models and Figure 17 for 2018-2020 models.*
8. Reinstall grille, headlight covers, and any other parts removed in the reverse order of the install instructions.

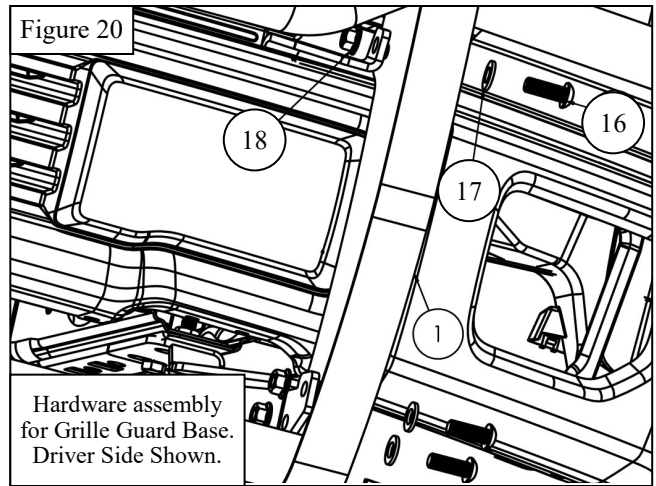




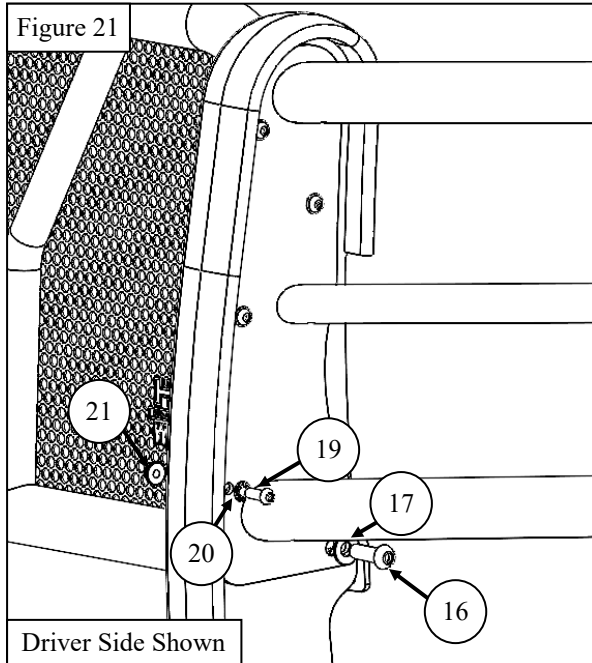
9. With assistance hold the Grille Guard Base up to the previously installed brackets. Loosely attach the Grille Guard Base to the brackets using the supplied M12 hardware for the lower mounting brackets only. See **Figures 19 & 20**.
10. Locate and mount the HDX Driver Wing (Item 2) to the Grille Guard Base using the supplied M8 Hardware (Items 19-21). **Note:** For the mounting hole shared with the upper Support Straps, the M12 Hardware will be used. See **Figure 21 & 22** for reference.
11. Repeat for the HDX Passenger Wing (Item 3).
12. Align and adjust the Grille Guard Base and the Wings as necessary. Tighten and torque the M8 hardware to 16-18 ft-lbs. and the M12 hardware to 50-55 ft-lbs.



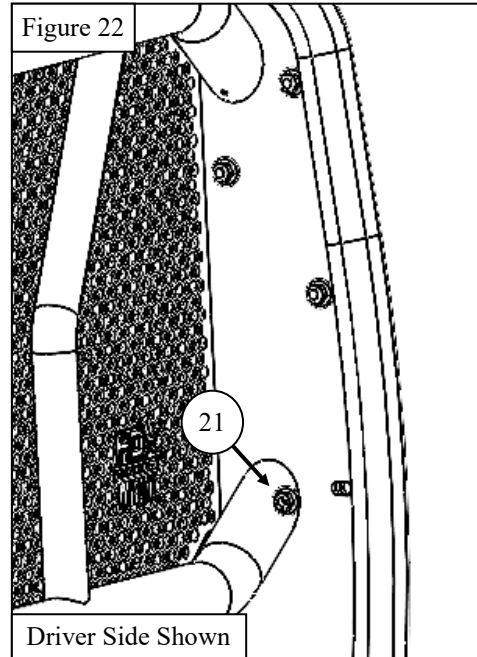
Reinstall grille then, install Grille guard Base with supplied M12 hardware.



Hardware assembly for Grille Guard Base. Driver Side Shown.



Driver Side Shown



Driver Side Shown

13. For models with front cameras, remove the screen in the Grille Guard as shown in **Figure 23**.

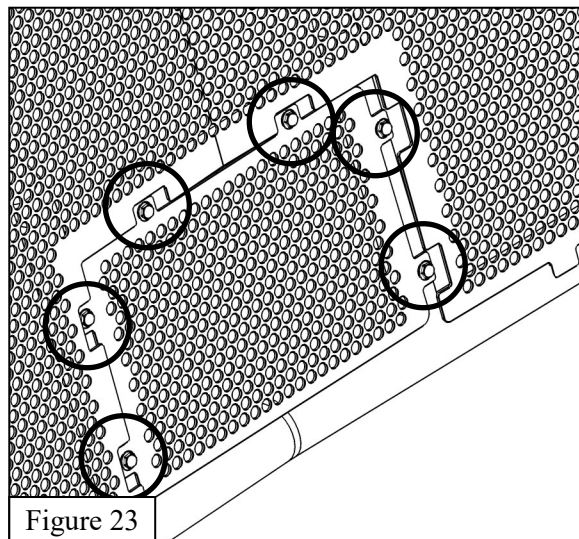


Figure 23

INSTALLATION COMPLETE



CARE INSTRUCTIONS

- REGULAR WAXING IS RECOMMENDED. DO NOT USE ANY TYPE OF POLISH OR WAX THAT MAY CONTAIN ABRASIVES.
- STAINLESS STEEL PRODUCTS CAN BE CLEANED WITH MILD SOAP AND WATER. STAINLESS STEEL POLISH SHOULD BE USED TO POLISH SMALL SCRATCHES.
- GLOSS BLACK FINISHES SHOULD BE CLEANED WITH MILD SOAP AND WATER.

WESTIN Westin Automotive Products, Inc.
320 W. Covina Blvd
San Dimas, Ca. 91773

P.N.: 75-5723935-RevA

ECO #: W21-0098

7

Thank you for choosing Westin products
for additional installation assistance please call
Customer Service (800) 793-7846
www.westinautomotive.com

DATE: 11/08/21



WARNING



Failure to follow these instructions could lead to death, personal injury, and / or property damage.

Failure to follow these instructions could lead to death, personal injury, and / or property damage.

FASTENERS:

All Westin supplied fasteners must be utilized and installed in accordance with the installation instructions and apply torque to the specifications as defined. **DOUBLE CHECK ALL FASTENERS BEFORE INITIAL USE, AND PERIODICALLY IN THE FUTURE TO ENSURE PROPER FUNCTION AND SAFETY.**

DRILLING:

Most Westin products do not require drilling for installation. If drilling is defined as required, use caution when drilling a vehicle. **FAILURE TO REVIEW AN AREA TO BE DRILLED MAY RESULT IN PERSONAL INJURY AND/OR INJURY TO OTHERS AS WELL AS VEHICLE DAMAGE.**

EYE PROTECTION:

ALWAYS WEAR SAFETY GLASSES OR GOGGLES DURING THE INSTALLATION PROCESS TO AVOID PERSONAL INJURY.

MAXIMUM TOWING/CARRYING CAPACITY: (if applicable)

The Westin Receiver Hitches will have a visible tow rating label affixed directly on the product. User should never exceed the vehicle manufacturers maximum tow and weight rating regardless of the capacity of the hitch. **FAILURE TO FOLLOW THESE GUIDELINES WILL VOID THE WESTIN WARRANTY AND MAY RESULT IN PERSONAL INJURY AND/OR INJURY TO OTHERS AS WELL AS VEHICLE DAMAGE.**

FOR CALIFORNIA RESIDENTS ONLY-PROP 65 WARNING:

Some products may contain chemicals such as DEHP, which can cause cancer, birth defects or other reproductive harm. For more info go to www.p65warnings.ca.gov