

# INSTALLATION INSTRUCTIONS



## HDX MODULAR GRILLE GUARD

### APPLICATION:

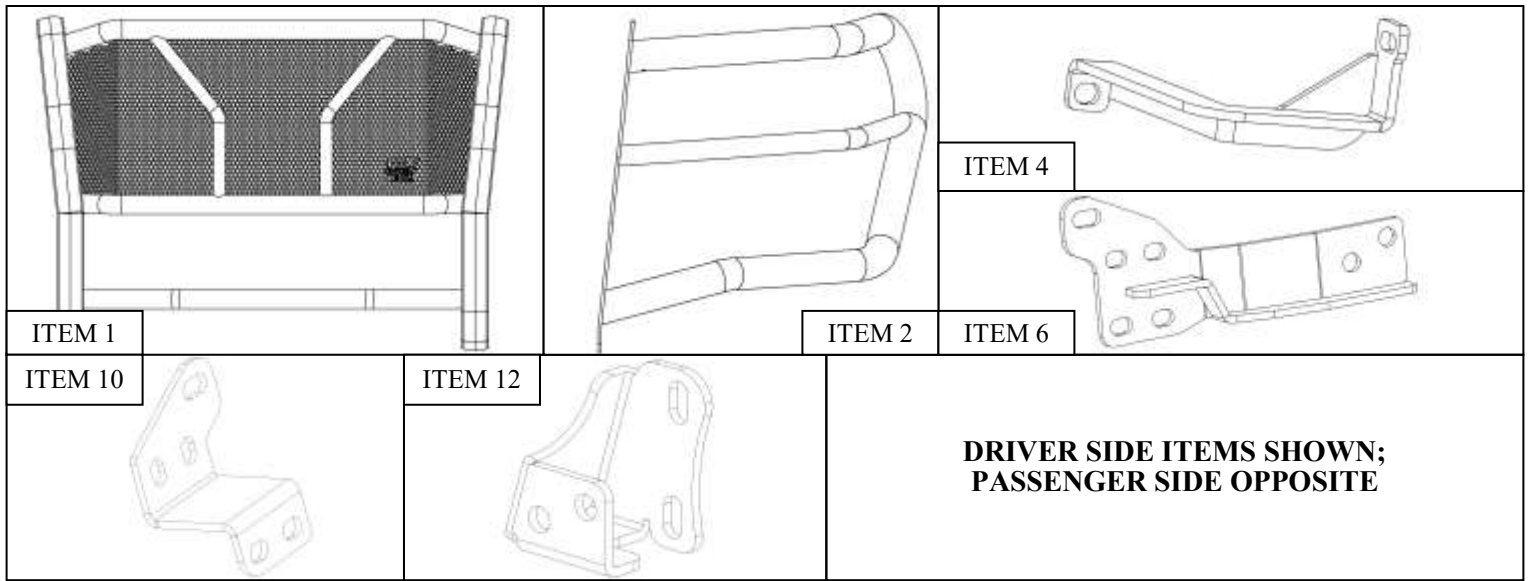
2021-2023 Chevrolet Suburban/Tahoe (Excl. w/Sensors)

### PART NUMBER:

57-24045

CONTENT			
ITEM	QUANTITY	DESCRIPTION	TOOLS NEEDED
1	1	GRILLE GUARD BASE	UTILITY KNIFE
2	1	GRILLE GUARD DRIVER WING	SCREWDRIVER
3	1	GRILLE GUARD PASSENGER WING	18MM WRENCH
4	1	DRIVER STRAP	18MM SOCKET
5	1	PASSENGER STRAP	15MM WRENCH
6	1	DRIVER LOWER BRACKET	15MM SOCKET
7	1	PASSENGER LOWER BRACKET	10MM SOCKET
8	1	DRIVER EXTENSION BRACKET	7MM SOCKET
9	1	PASSENGER EXTENSION BRACKET	T15 TORX BIT
10	1	DRIVER CLAMP BRACKET	8MM ALLEN WRENCH
11	1	PASSENGER CLAMP BRACKET	6MM ALLEN WRENCH
12	4	M12 HEX HEAD BOLT	RATCHET
13	4	M12 FLAT WASHER	RATCHET EXT.
14	4	M12 SERRATED FLANGE NUT	TORQUE WRENCH
15	6	M10 FLAT WASHER	HAMMER
16	6	M10 SERRATED FLANGE NUT	
17	2	SHORT M10 HEX HEAD BOLT	
18	4	LONG M10 HEX HEAD BOLT	
19	2	M10 BUTTON HEAD BOLT	
20	2	M10 BELLVILLE WASHER	
21	2	M10 SERRATED FLANGE NUT	
22	8	M12 BUTTON HEAD BOLT	
23	8	M12 SERRATED FLANGE NUT	
24	8	M12 BELLVILLE WASHER	
25	10	M8 HEX FLANGED NUT	
26	10	M8 HEX SOCKET BUTTON HEAD BOLT	
27	10	M8 BELLVILLE WASHER	
28	2	CUTTING TEMPLATES—PASSENGER AND DRIVER <i>(MUST BE USED FOR INSTALLATION)</i>	

**ANTI-SEIZE LUBRICANT MUST BE USED ON ALL STAINLESS STEEL FASTENERS TO PREVENT THREAD DAMAGE AND GALLING**

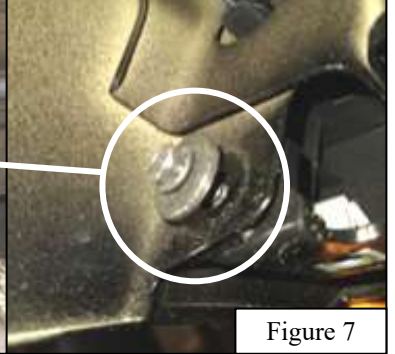


### PROCEDURE

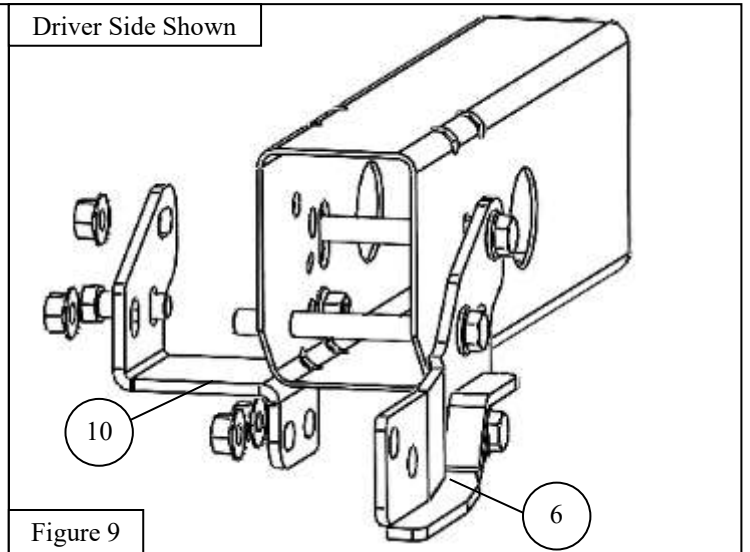
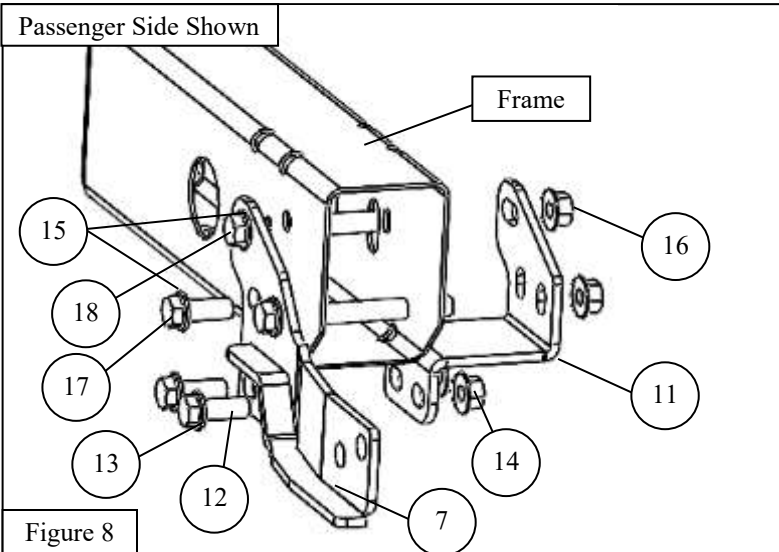
1. Remove contents from box, verify if all parts listed are present and free from damage. Carefully read and understand all instructions before attempting installation.  
**Failure to identify damage before installation could lead to a rejection of any claim.**
2. Remove the entire front grille and fascia from the front of the vehicle. There are a number of plastic fasteners and metal screws holding it on. Carefully remove the clips and screws so that there is no damage done to the fascia.
3. Open the hood and remove the nine plastic rivets and the two screws with the plastic hood release handle. Remove the top plastic cover, then remove the screws holding the grille. See **Figures 1 & 2** for reference.
4. Remove the screws located under the fenders that hold the front fascia. Carefully pull the fender trim. Remove all the screws under the vehicle to loosen the bottom part of the fascia. See **Figures 3 through 5** for reference.
5. Remove the screws under each side of the See **Figures 6 & 7** for reference.



Figure 1



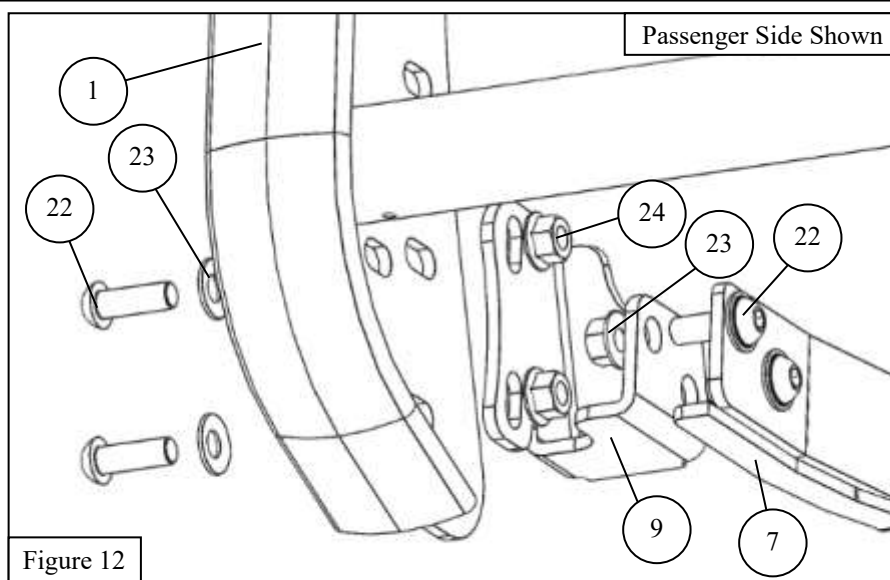
6. With help, disconnect any wiring connections from the fascia and carefully remove the whole front fascia.
7. Remove the plastic cover on top of the internal bumper and radiator support, and discard it.
8. If equipped with tow hooks remove them and save them. The hardware will be reused with the mounting bracket installation in the following step.
9. Install the Driver and Passenger Lower Brackets (Items 6-7) to the chassis using the Clamp Brackets (Items 10-11) and provided M10 & M12 hardware (Items 12-18). Reuse the factory bolt with the outer clamp bracket. Leave them loose for now. See **Figure 8 & 9** for reference. **Note:** Chassis mount holes are not mirrored to each other. Please refer to **Figures 8 & 9**.
10. Tighten and torque M10 to 35-40 ft-lbs. and M12 hardware to 50-55 ft-lbs.



12. Before installing the front fascia, trim the lower grille slots as shown in **Figures 10 & 11**. Then, reinstall the front fascia.



13. Once the front fascia is reinstalled, install the Extension Brackets (Items 8-9) using the supplied M12 hardware (Items 22-24). See **Figure 12** for reference.
14. Using the provided templates (Item 28), cut at the dotted lines and place the indicated side 2" from the center of the fascia and the top edge placed at the lower edge of the grill. Carefully drill a 2" hole at each side of the fascia and carefully clean the hole edges. See **Figure 13** for reference.
15. Remove the factory bolt shown in **Figure 14** and save it to be used in the next step.



16. Place the upper brackets into the previously drilled holes and install them loosely using the previously removed bolts. See **Figure 14** for reference.
17. Install the grille guard to the bottom brackets (**Figure 12**) using M12 button head bolts M12 Bellville washers and M12 serrated flange nuts. Slightly tighten hardware for now to secure the grille guard.
18. Secure the grill guard at the upper area using M10 button head bolts M10 Bellville washers and M10 serrated flange nuts.
20. Adjust as needed and torque all hardware as specified: M10 to 35-40 ft-lbs., M12 to 50-55 ft-lbs.

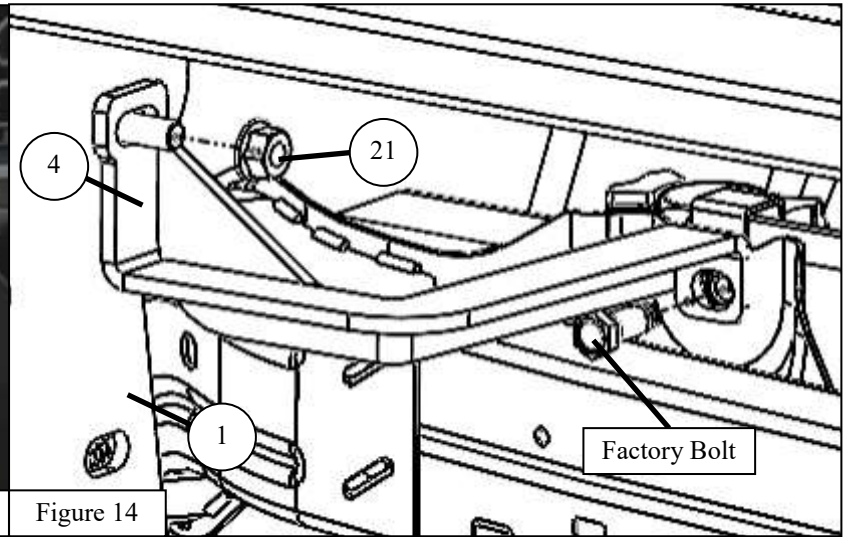
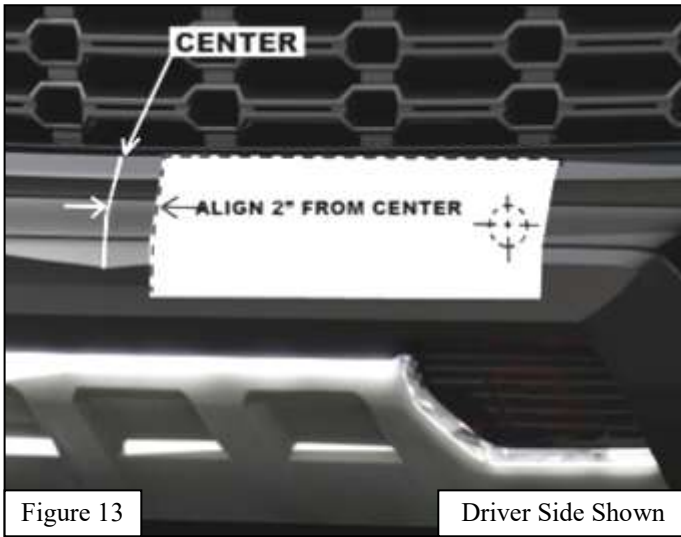


Figure 13

Driver Side Shown

Figure 14

21. Locate and install the Driver and Passenger Wings (Items 2-3) using the supplied M8 hardware (Items 25-27). See **Figure 15** for reference.
22. Align and adjust the Driver and Passenger Wings as needed. Fully tighten and torque all M8 hardware to 15-18 ft-lbs.

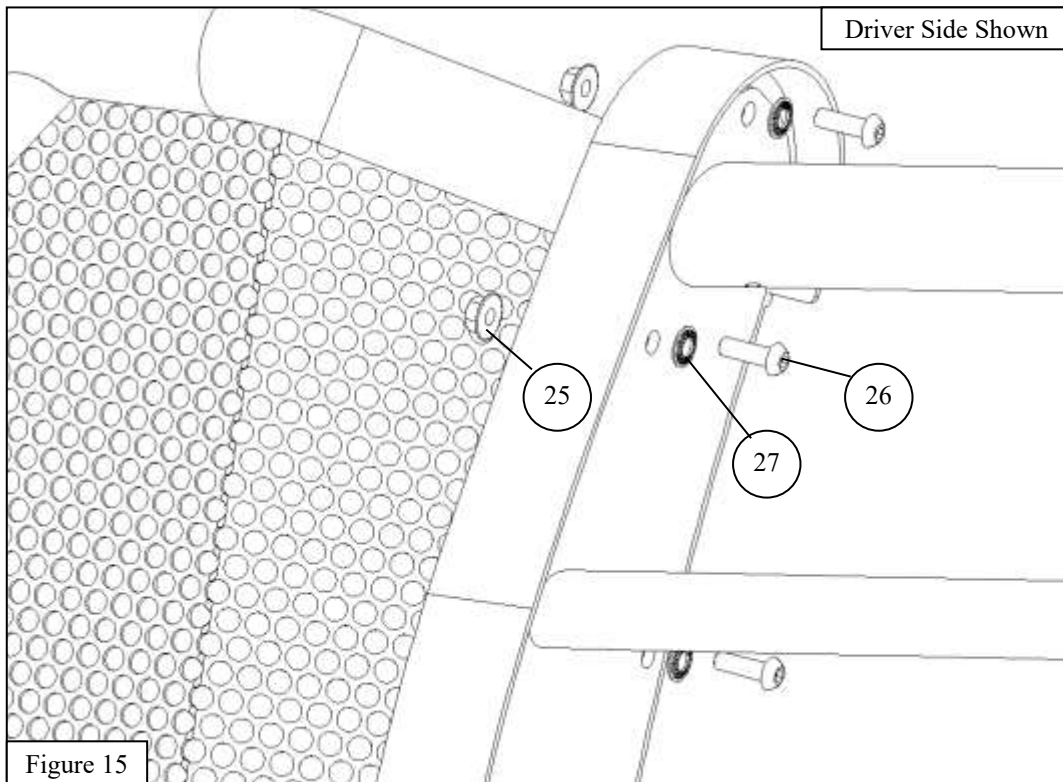


Figure 15

## INSTALLATION COMPLETE



### CARE INSTRUCTIONS

- REGULAR WAXING IS RECOMMENDED. DO NOT USE ANY TYPE OF POLISH OR WAX THAT MAY CONTAIN ABRASIVES.
- STAINLESS STEEL PRODUCTS CAN BE CLEANED WITH MILD SOAP AND WATER. STAINLESS STEEL POLISH SHOULD BE USED TO POLISH SMALL SCRATCHES.
- GLOSS BLACK FINISHES SHOULD BE CLEANED WITH MILD SOAP AND WATER.

**WESTIN**

Westin Automotive Products, Inc.  
320 W. Covina Blvd  
San Dimas, Ca. 91773

Thank you for choosing Westin products  
for additional installation assistance please call  
Customer Service (800) 793-7846  
[www.westinautomotive.com](http://www.westinautomotive.com)



## WARNING



Failure to follow these instructions could lead to death, personal injury, and / or property damage.

Failure to follow these instructions could lead to death, personal injury, and / or property damage.

### **FASTENERS:**

All Westin supplied fasteners must be utilized and installed in accordance with the installation instructions and apply torque to the specifications as defined. **DOUBLE CHECK ALL FASTENERS BEFORE INITIAL USE, AND PERIODICALLY IN THE FUTURE TO ENSURE PROPER FUNCTION AND SAFETY.**

### **DRILLING:**

Most Westin products do not require drilling for installation. If drilling is defined as required, use caution when drilling a vehicle. **FAILURE TO REVIEW AN AREA TO BE DRILLED MAY RESULT IN PERSONAL INJURY AND/OR INJURY TO OTHERS AS WELL AS VEHICLE DAMAGE.**

### **EYE PROTECTION:**

**ALWAYS WEAR SAFETY GLASSES OR GOGGLES DURING THE INSTALLATION PROCESS TO AVOID PERSONAL INJURY.**

### **MAXIMUM TOWING/CARRYING CAPACITY:** (if applicable)

The Westin Receiver Hitches will have a visible tow rating label affixed directly on the product. User should never exceed the vehicle manufacturers maximum tow and weight rating regardless of the capacity of the hitch. **FAILURE TO FOLLOW THESE GUIDELINES WILL VOID THE WESTIN WARRANTY AND MAY RESULT IN PERSONAL INJURY AND/OR INJURY TO OTHERS AS WELL AS VEHICLE DAMAGE.**

### **FOR CALIFORNIA RESIDENTS ONLY-PROP 65 WARNING:**

Some products may contain chemicals such as DEHP, which can cause cancer, birth defects or other reproductive harm. For more info go to [www.p65warnings.ca.gov](http://www.p65warnings.ca.gov)



Westin Automotive Products, Inc.  
320 W. Covina Blvd  
San Dimas, Ca. 91773