

# INSTALLATION INSTRUCTIONS

## HDX MODULAR GRILLE GUARD



**APPLICATION:**

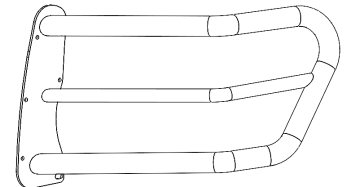
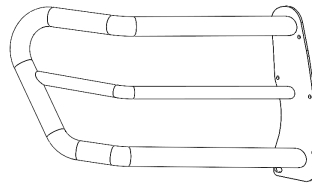
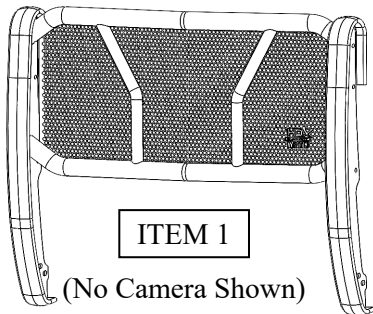
Ford F-150 2021-2022 (Excl. w/Sensors),  
Ford F-150 2021-2022 w/ Front Camera (Excl. Raptor & Platinum)

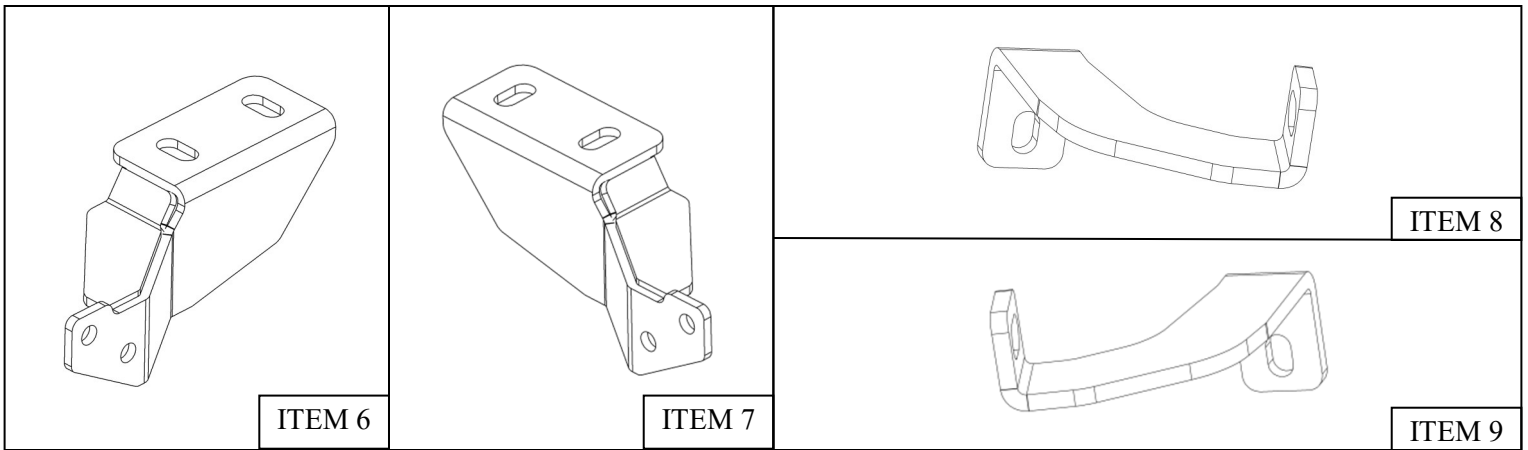
**PART NUMBER:**

57-24065, 57-24085

CONTENT			
ITEM	QUANTITY	DESCRIPTION	TOOLS NEEDED
1	1	HDX GRILLE GUARD BASE	13MM SOCKET
2	1	HDX DRIVER WING	13MM WRENCH
3	1	HDX PASSENGER WING	19MM SOCKET
4	1	DRIVER LOWER MOUNTING BRACKET	19MM WRENCH
5	1	PASSENGER LOWER MOUNTING BRACKET	RATCHET
6	1	DRIVER SUPPORT BRACKET	TORQUE WRENCH
7	1	PASSENGER SUPPORT BRACKET	
8	2	M12 DOUBLE NUT PLATE	
9	4	M12 HEX HEAD BOLT	
10	4	M12 FLAT WASHER	
11	4	M12 SPLIT LOCK WASHER	
12	2	M8 HEX HEAD BOLT	
13	2	M8 FLAT WASHER	
14	2	M8 SPLIT LOCK WASHER	
15	6	M12 BUTTON HEAD BOLT	
16	6	M12 BELLVILLE WASHER	
17	6	M12 SERRATED FLANGE NUT	
18	8	M8 BUTTON HEAD HEX SOCKET BOLT	
19	8	M8 BELLVILLE WASHER	
20	8	M8 SERRATED FLANGE NUT	

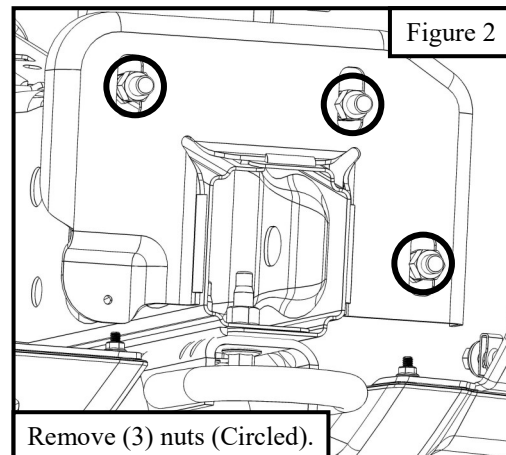
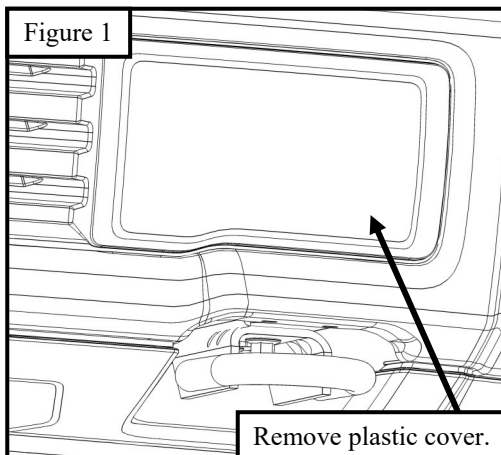
**ANTI-SEIZE LUBRICANT MUST BE USED ON ALL STAINLESS STEEL FASTENERS TO PREVENT THREAD DAMAGE AND GALLING**

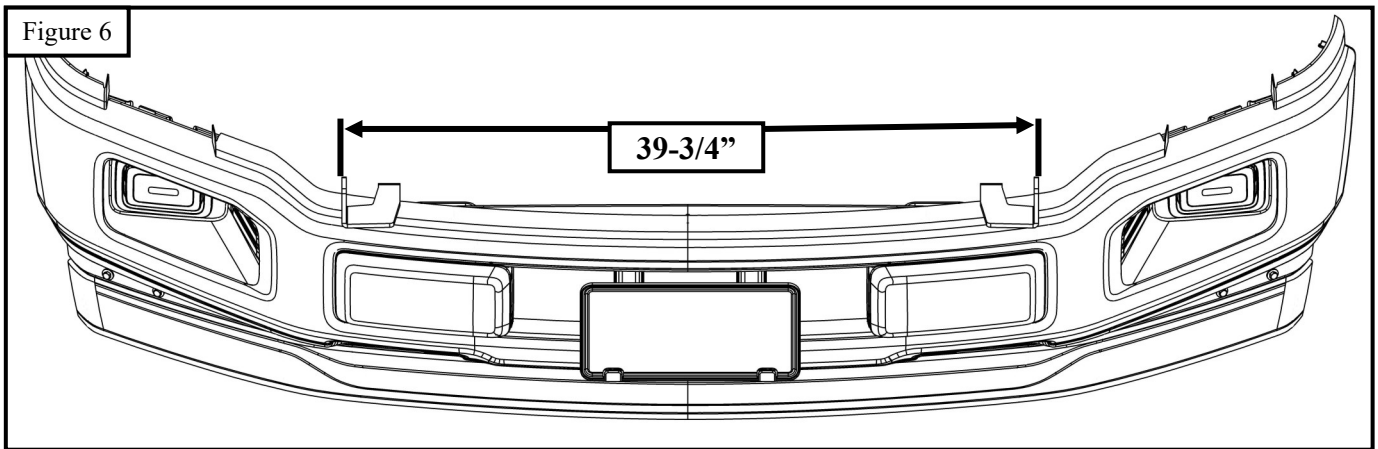
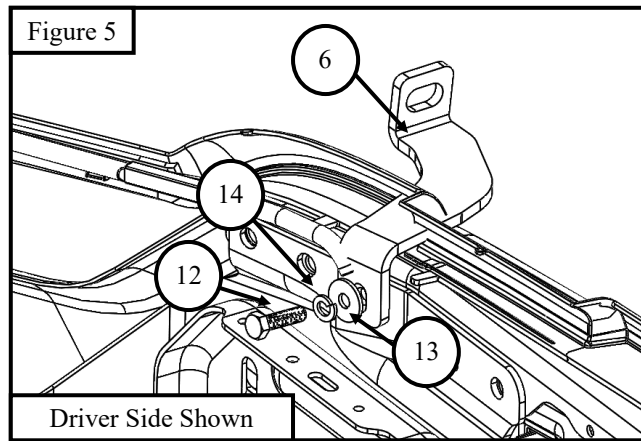
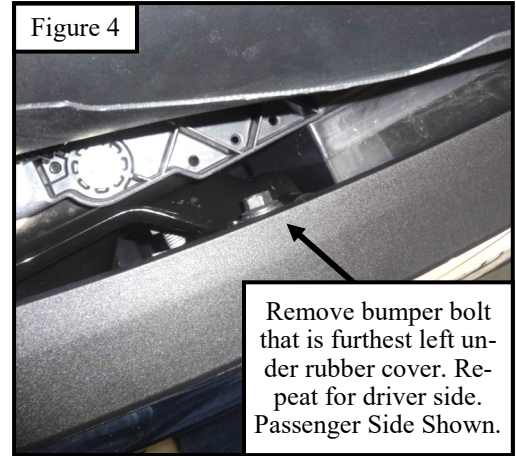
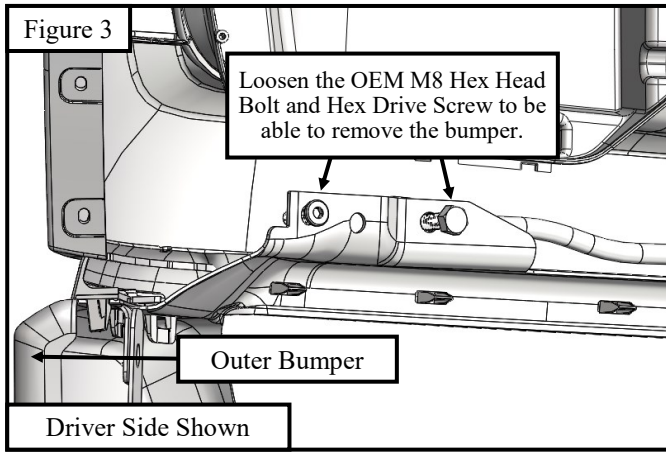




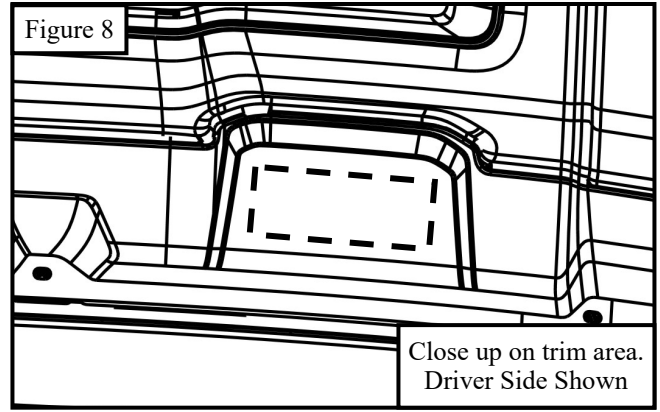
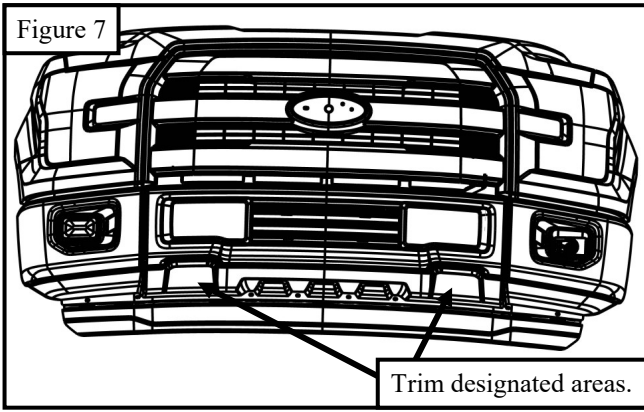
### PROCEDURE

1. Remove contents from box, verify if all parts listed are present and free from damage. Carefully read and understand all instructions before attempting installation.  
**Failure to identify damage before installation could lead to a rejection of any claim.**
2. Remove the plastic covers that are located above the location of the tow hooks to expose (3) nuts on each side. See **Figures 1 & 2**.
3. Loosen the OEM hex head bolt and the hex drive screw on both the outer sides of the bumper. See **Figure 3** for reference.  
*Note: Assistance may be needed with bumper removal.*
4. Remove factory bumper bolt. See **Figure 4**.
5. Install the Upper Mounting Bracket (Items 6 & 7) using the supplied M8 hardware. Make sure the brackets are approximately 39-3/4" apart from outer bracket flange, and make sure to lay the bracket firmly on top of the rubber strip that is on top of the bumper. Tighten M8 hardware to 15 ft-lbs. See **Figures 5 & 6** for reference.



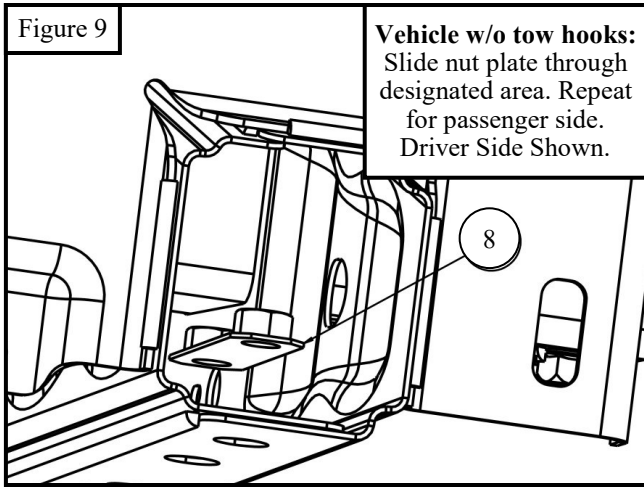


6. For vehicles without factory tow hooks: Trim the plastic in the areas in Figures 7 & 8. Repeat for the passenger side.

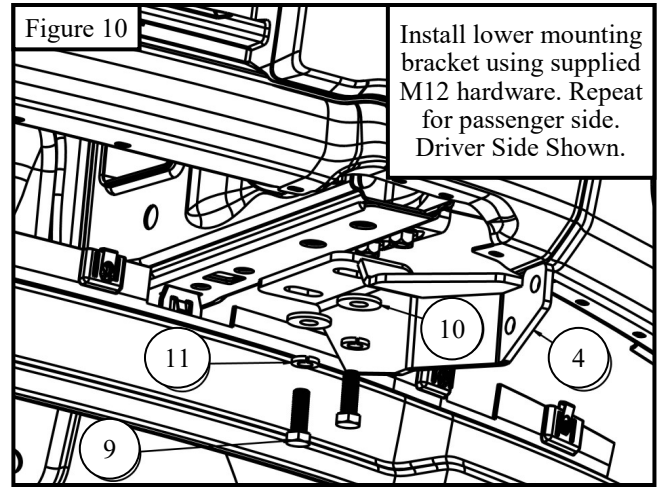


Close up on trim area.  
Driver Side Shown

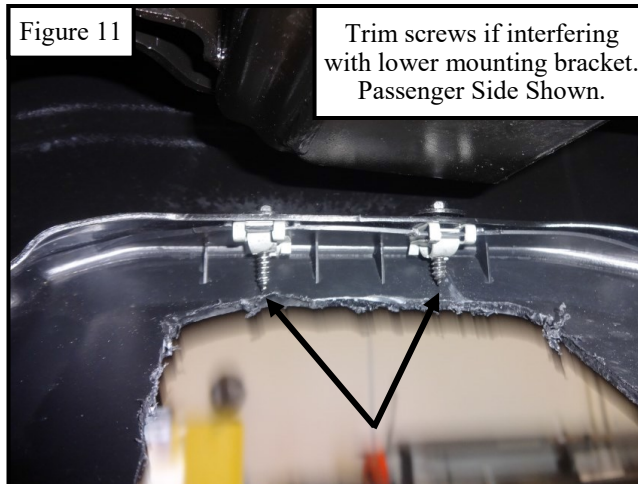
7. **For vehicles with factory tow hooks:** Remove tow hooks and loosely install Lower Mounting Brackets (Items 4 & 5) to the factory nut plates using supplied M12 hardware as shown in **Figure 9 & 10**. *Note: Trimming of screws may be required if they interfere with lower mounting bracket. See **Figure 11** for reference.*
8. **For vehicles without tow hooks:** Slip the M12 Double nut plates (Item 8) into the frame and line them up with existing holes. See **Figure 9**. Loosely install the Lower Mounting Brackets using the supplied M12 hardware as shown in **Figure 10**. *Note: Trimming of screws may be required if they interfere with lower mounting bracket. See **Figure 11** for reference.*



**Vehicle w/o tow hooks:**  
Slide nut plate through designated area. Repeat for passenger side.  
Driver Side Shown.

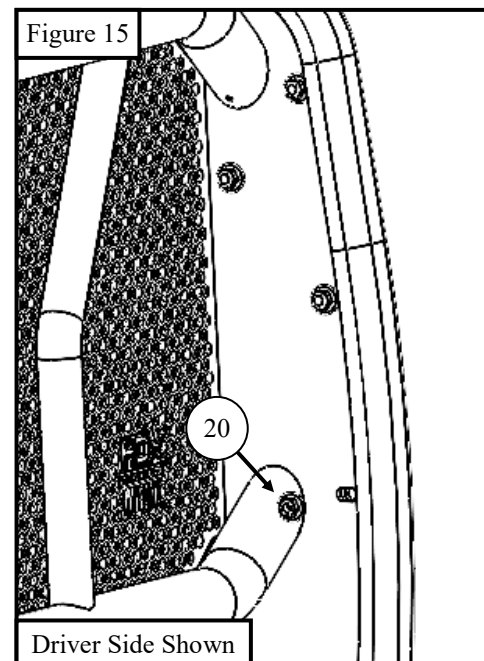
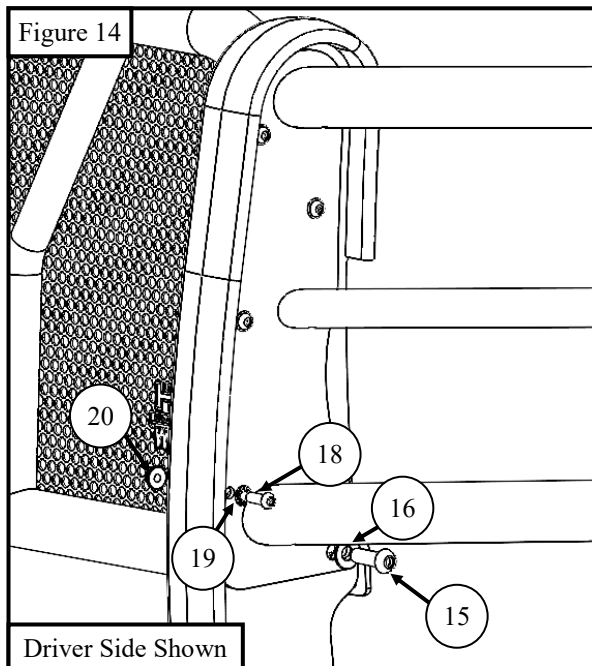
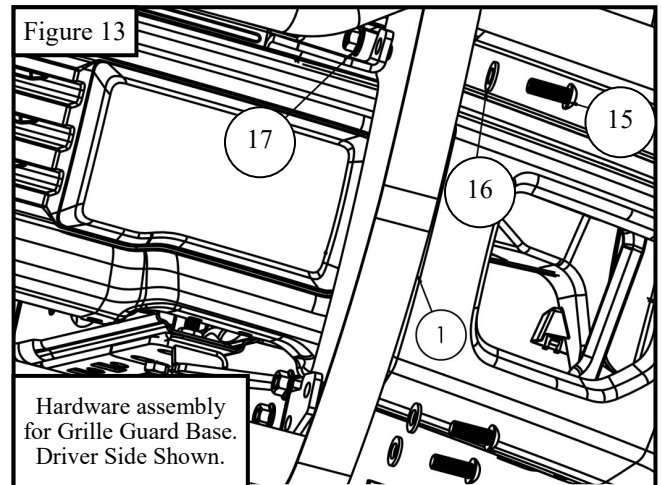
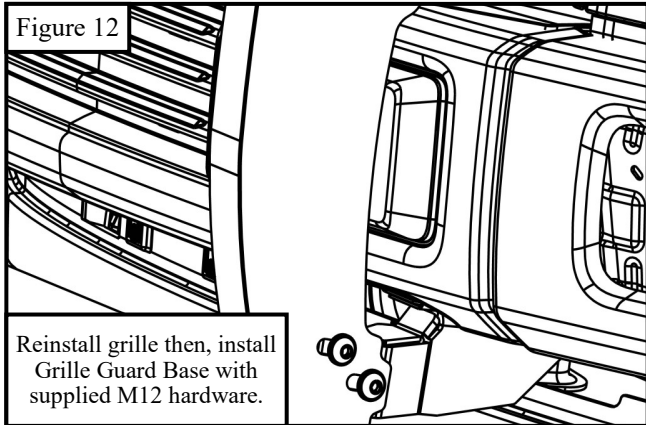


Install lower mounting bracket using supplied M12 hardware. Repeat for passenger side.  
Driver Side Shown.



**Figure 11**  
Trim screws if interfering with lower mounting bracket.  
Passenger Side Shown.

9. Reinstall any parts removed in the reverse order of the installation instructions.
10. With assistance hold the Grille Guard Base up to the previously installed brackets. Loosely attach the Grille Guard Base to the brackets using the supplied M12 hardware for the lower mounting brackets only. See **Figures 12 & 13**.
11. Locate and mount the HDX Driver Wing (Item 2) to the Grille Guard Base using the supplied M8 Hardware (Items 18-20). **Note:** For the mounting hole shared with the upper Support Straps, the M12 Hardware will be used. See **Figure 14 & 15** for reference. The Grille Guard Base with no camera opening is shown but the installation is similar.
12. Repeat for the HDX Passenger Wing (Item 3).
13. Align and adjust the Grille Guard Base and the Wings as necessary. Tighten and torque the M8 hardware to 16-18 ft-lbs. and the M12 hardware to 50-55 ft-lbs.



**INSTALLATION COMPLETE**



Grille Guard Base with No Camera Opening Shown

**CARE INSTRUCTIONS**

- REGULAR WAXING IS RECOMMENDED. DO NOT USE ANY TYPE OF POLISH OR WAX THAT MAY CONTAIN ABRASIVES.
- STAINLESS STEEL PRODUCTS CAN BE CLEANED WITH MILD SOAP AND WATER. STAINLESS STEEL POLISH SHOULD BE USED TO POLISH SMALL SCRATCHES.
- GLOSS BLACK FINISHES SHOULD BE CLEANED WITH MILD SOAP AND WATER.



Westin Automotive Products, Inc.  
320 W. Covina Blvd  
San Dimas, Ca. 91773

Thank you for choosing Westin products  
for additional installation assistance please call  
Customer Service (800) 793-7846

[www.westinautomotive.com](http://www.westinautomotive.com)

DATE: 01/17/22



## WARNING



Failure to follow these instructions could lead to death, personal injury, and / or property damage.

Failure to follow these instructions could lead to death, personal injury, and / or property damage.

### FASTENERS:

All Westin supplied fasteners must be utilized and installed in accordance with the installation instructions and apply torque to the specifications as defined. **DOUBLE CHECK ALL FASTENERS BEFORE INITIAL USE, AND PERIODICALLY IN THE FUTURE TO ENSURE PROPER FUNCTION AND SAFETY.**

### DRILLING:

Most Westin products do not require drilling for installation. If drilling is defined as required, use caution when drilling a vehicle. **FAILURE TO REVIEW AN AREA TO BE DRILLED MAY RESULT IN PERSONAL INJURY AND/OR INJURY TO OTHERS AS WELL AS VEHICLE DAMAGE.**

### EYE PROTECTION:

**ALWAYS WEAR SAFETY GLASSES OR GOGGLES DURING THE INSTALLATION PROCESS TO AVOID PERSONAL INJURY.**

### MAXIMUM TOWING/CARRYING CAPACITY: (if applicable)

The Westin Receiver Hitches will have a visible tow rating label affixed directly on the product. User should never exceed the vehicle manufacturers maximum tow and weight rating regardless of the capacity of the hitch. **FAILURE TO FOLLOW THESE GUIDELINES WILL VOID THE WESTIN WARRANTY AND MAY RESULT IN PERSONAL INJURY AND/OR INJURY TO OTHERS AS WELL AS VEHICLE DAMAGE.**

### FOR CALIFORNIA RESIDENTS ONLY-PROP 65 WARNING:

Some products may contain chemicals such as DEHP, which can cause cancer, birth defects or other reproductive harm. For more info go to [www.p65warnings.ca.gov](http://www.p65warnings.ca.gov)



Westin Automotive Products, Inc.  
320 W. Covina Blvd  
San Dimas, Ca. 91773