

INSTALLATION INSTRUCTIONS



HDX MODULAR GRILLE GUARD

APPLICATION:

2019-2022 Chevrolet Silverado 1500 (Excl. 2019 LD)
(Excl. w/Sensors)

PART NUMBER:

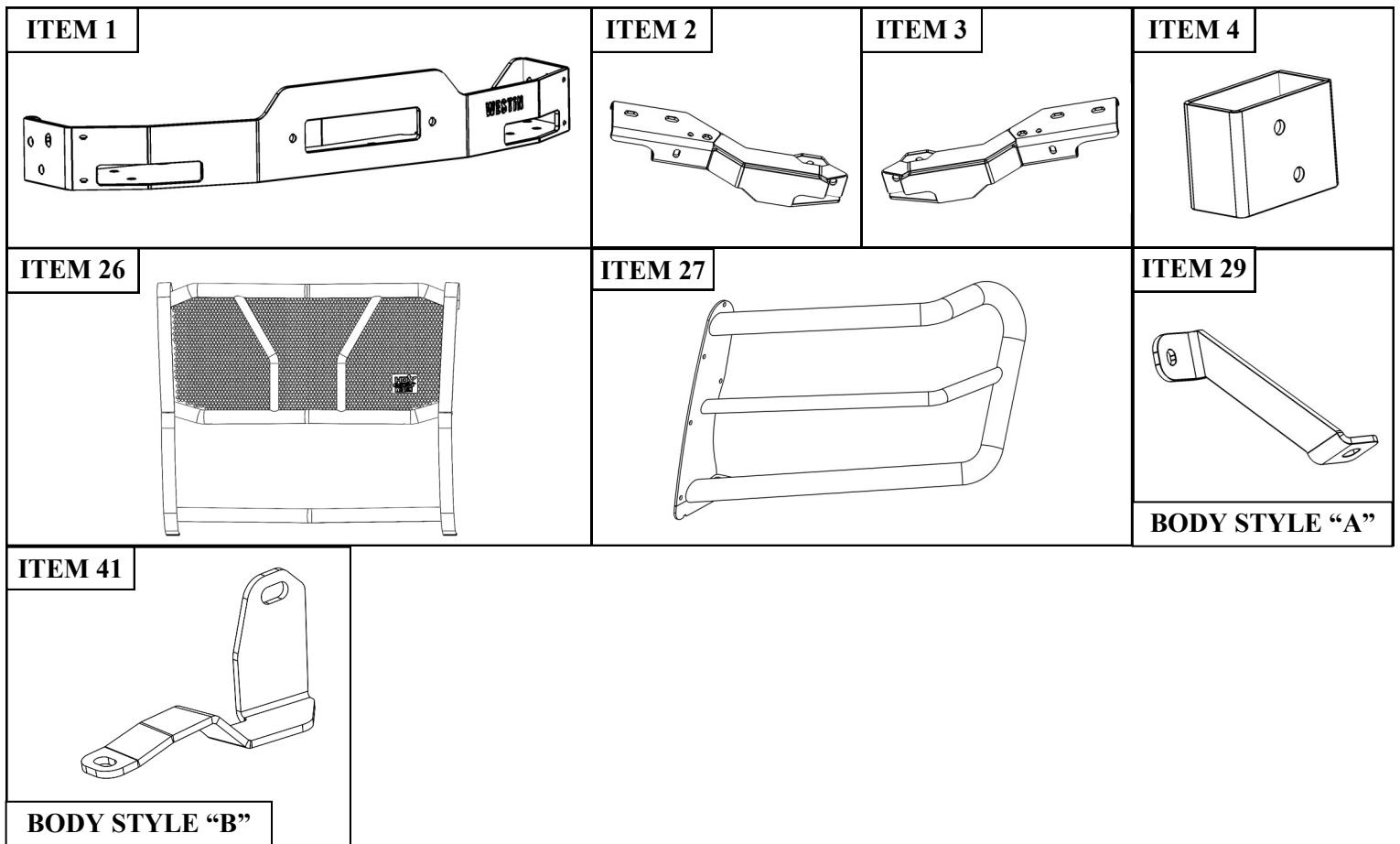
Winch Tray Kit: 46-23955
Grille Guard Kit: 57-923955A

Kit Number: 57-923955

ITEM	QUANTITY	DESCRIPTION	TOOLS NEEDED
1	1	WINCH TRAY (46-23955)	10MM SOCKET
2	1	DRIVER WINCH TRAY MOUNTING BRACKET (46-23955)	10MM WRENCH
3	1	PASSENGER WINCH TRAY MOUNTING BRACKET (46-23955)	13MM SOCKET
4	2	SPACER BRACKET (ONLY USED WITH WINCH TRAY GRILLE GUARD KITS)	16MM SOCKET
5	2	M12 BOLT PLATE	16MM WRENCH
6	2	M10 BOLT PLATE	18MM WOCKET
7	2	LARGE SPACER WASHER	18MM WRENCH
8	4	M12 HEX HEAD BOLT	FLAT HEAD SCREWDRIVER
9	4	SMALL M12 FLAT WASHER	
10	4	LARGE M12 FLAT WASHER	HAMMER
11	6	M12 SPLIT LOCK WASHER	UTILITY KNIFE
12	6	M12 HEX NUT	PRYBAR
13	2	M10 HEX HEAD BOLT	ALLEN WRENCH
14	4	M10 FLAT WASHER	RATCHET
15	4	M10 SPLIT LOCK WASHER	TORQUE WRENCH
16	2	M10 HEX NUT	
17	2	M10 SERRATED FLANGE BOLT	
18	2	M10 SERRATED FLANGE NUT	
19	4	M12 BUTTON HEAD BOLT	
20	4	M12 BELLVILLE WASHER	
21	4	M12 SERRATED FLANGE NUT	
22	2	M10 FISH WIRE	
23	2	M12 FISH WIRE	
24	2	M10 PLASTIC RETAINER SQUARE	
25	2	M12 PLASTIC RETAINER SQUARE	
26	1	HDX GRILLE GUARD BASE ASSEMBLY	
HARDWARE ITEMS BELOW ARE INCLUDED WITH THE GRILLE GUARD KIT			
27	1	HDX DRIVER WING	
28	1	HDX PASSENGER WING	
29, 30	2	UPPER STRAP BRACKET FOR BODY STYLE "A" DRIVER (29) AND PASSENGER (30)	
31	4	M12 HEX HEAD FLANGE BOLT	
ANTI-SEIZE LUBRICANT MUST BE USED ON ALL STAINLESS STEEL FASTENERS TO PREVENT THREAD DAMAGE AND GALLING			

HARDWARE ITEMS BELOW ARE INCLUDED WITH THE GRILLE GUARD KIT

32	8	M12 HEX HEAD SERRATED FLANGE NUT	
33	2	M10 HEX SOCKET BUTTON HEAD BOLT	
34	2	M10 BELLVILLE WASHER	
35	2	M10 SERRATED FLANGE NUT	
36	4	M12 BELLVILLE WASHER	
37	4	M12 HEX SOCKET BUTTON HEAD BOLT	
38	10	M8 HEX SOCKET BUTTON HEAD BOLT	
39	10	M8 BELLVILLE WASHER	
40	10	M8 SERRATED FLANGE NUT	
41,42	2	UPPER STRAP BRACKET FOR BODY STYLE "B" DRIVER (23) AND PASSENGER (24)	
43	1	FOAM TAPE	



BODY STYLE "A"



©2018 WESTIN AUTOMOTIVE PRODUCTS, INC. ALL RIGHTS RESERVED

WESTIN

Westin Automotive Products, Inc.
320 W. Covina Blvd
San Dimas, Ca. 91773

P.N.: 75-57923955A-RevB

ECO #: W22-0061

Thank you for choosing Westin products
for additional installation assistance please call
Customer Service (800) 793-7846
www.westinautomotive.com

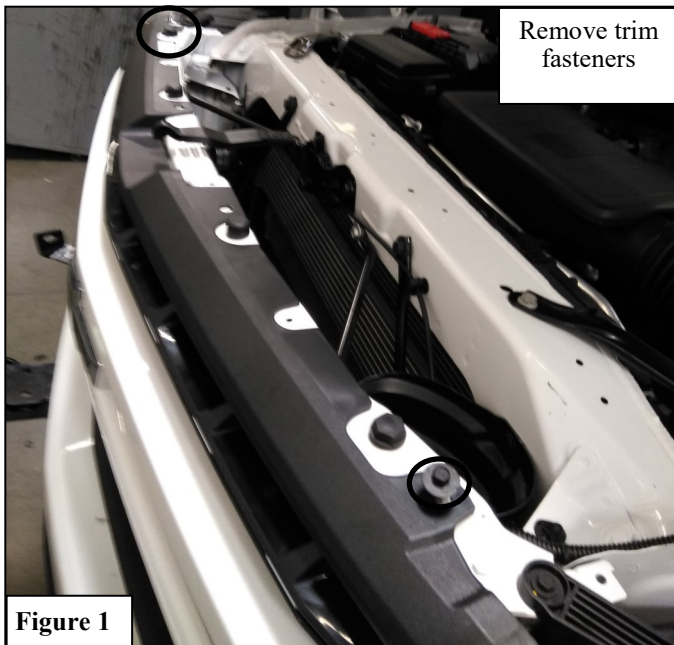
DATE: 6/22/2022

PROCEDURE

1. Remove contents from box, verify if all parts listed are present and free from damage.
Carefully read and understand all instructions before attempting installation.
Failure to identify damage before installation could lead to a rejection of any claim.

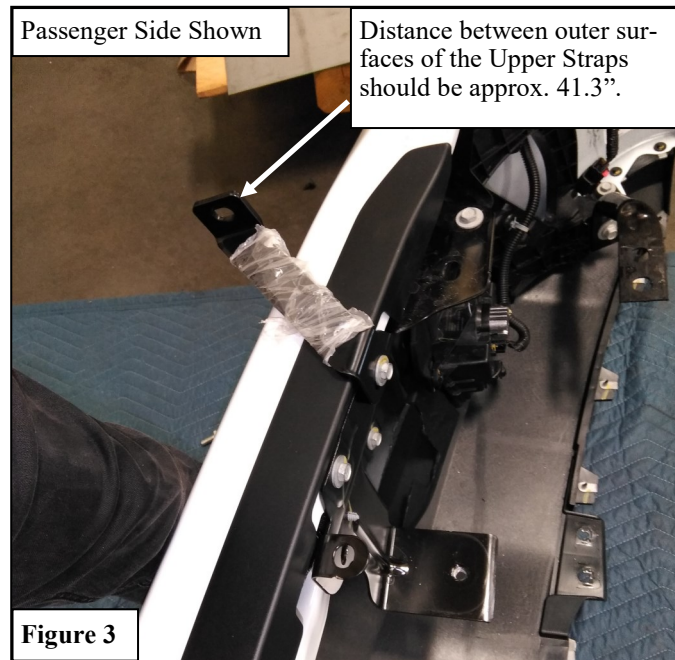
Body Style “A” Instructions

2. Begin by removing the plastic trim fasteners holding the grille in place. Also detach the clips of the wings of the grille. See **Figures 1-2**.
3. Remove the grille by pulling firmly and carefully at the bottom of the grille.



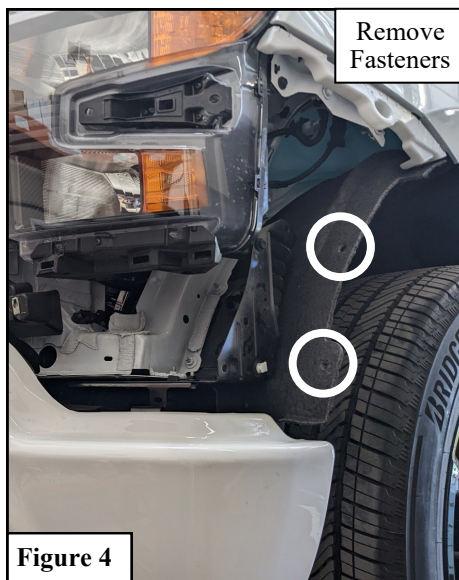
4. Use the OEM hardware to secure the Upper Strap Bracket (items 4-5) to the bumper. *Note: Bumper shown off vehicle for viewing purposes.* See **Figure 3**.

Skip to Step 15



Body Style “B” Instructions

5. Remove the fasteners retaining the panel above the bumper from the inside of the wheelwells. See **Figure 4**.
6. Remove the trim panel from the clips near the headlights. Use a pry tool if necessary. See **Figure 5**.



7. On both sides of the vehicle, use a pry tool to remove the trim panel from the clips shown below. See **Figures 6-7**.
8. Remove the trim panel above the bumper.



Figure 6



Figure 7

9. Remove the fasteners retaining the grille.
10. Remove the grille from the clips above the headlights.
11. Remove the grille by firmly pulling it away from the vehicle.
12. Trim and apply foam tape to the upper support straps (items 23-24). See **Figure 8**.
13. Use the OEM hardware to install the upper support straps to the bumper. See **Figure 9**.
14. Adjust the support straps and torque the OEM hardware to 32 ft-lbs.

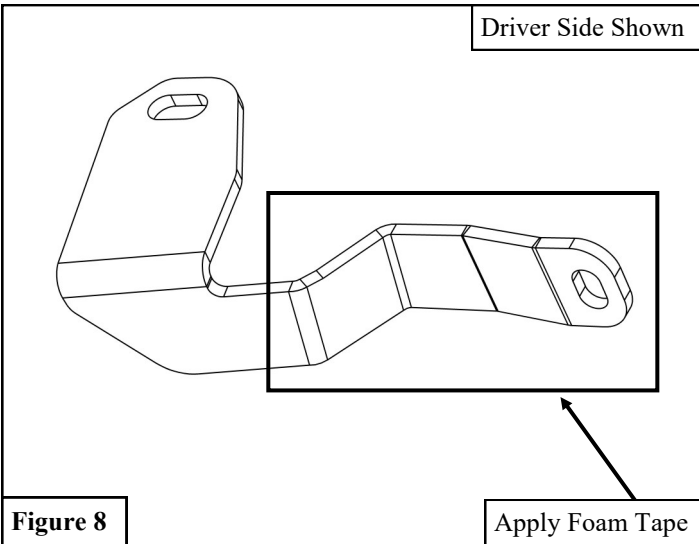


Figure 8

Apply Foam Tape

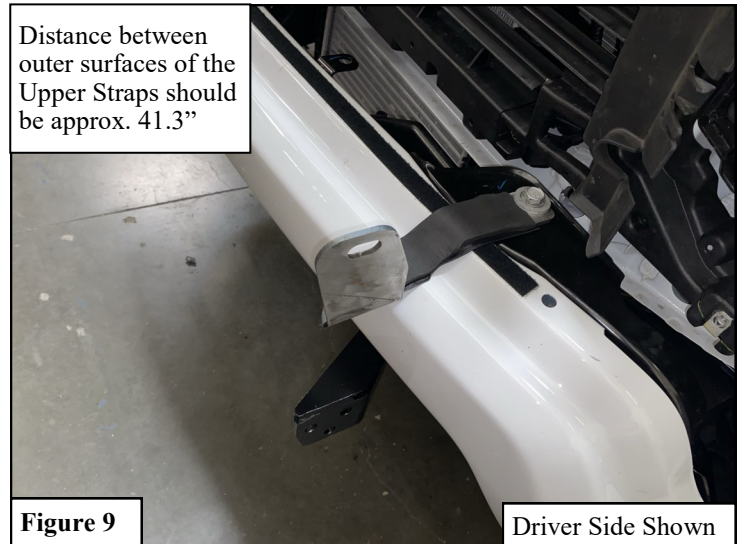


Figure 9

Driver Side Shown

15. Remove the 4 bolts behind the plastic cover securing the bumper to the vehicle. See **Figure 10** for reference.
16. Also remove the bolts on the bottom of the frame securing the bumper supports to the vehicle. See **Figure 11** for reference.

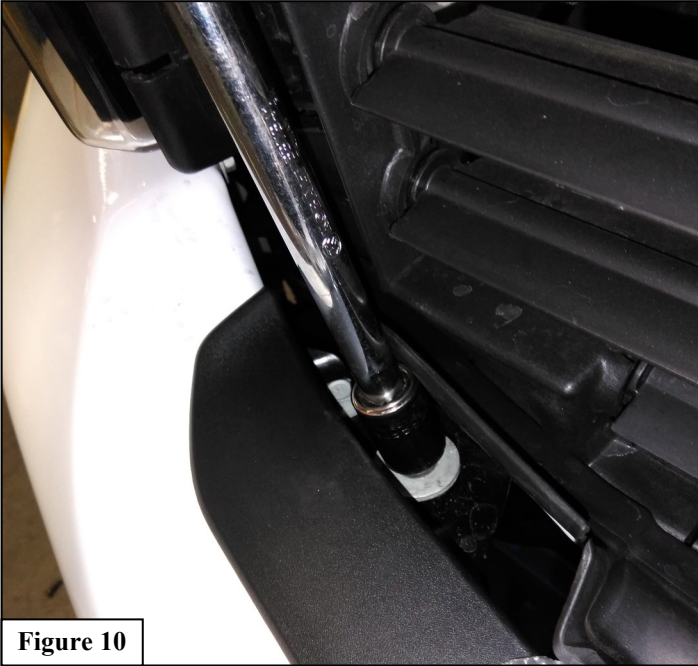


Figure 10

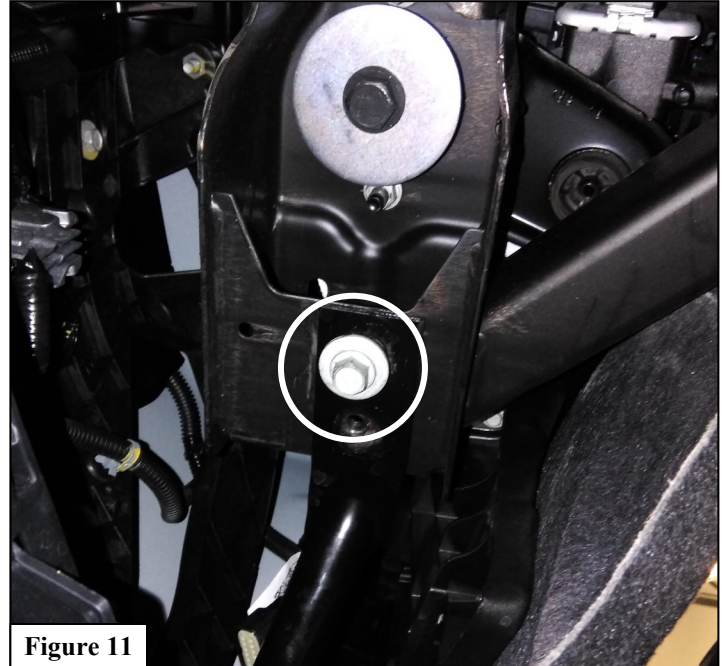


Figure 11

17. Unplug any wire harnesses running to the front bumper (fog lights, sensors, etc...).
18. Remove the bumper.
19. Trim the factory trim area to fit the Winch Tray Mounting Bracket (Items 2-3). See **Figure 12** for reference.

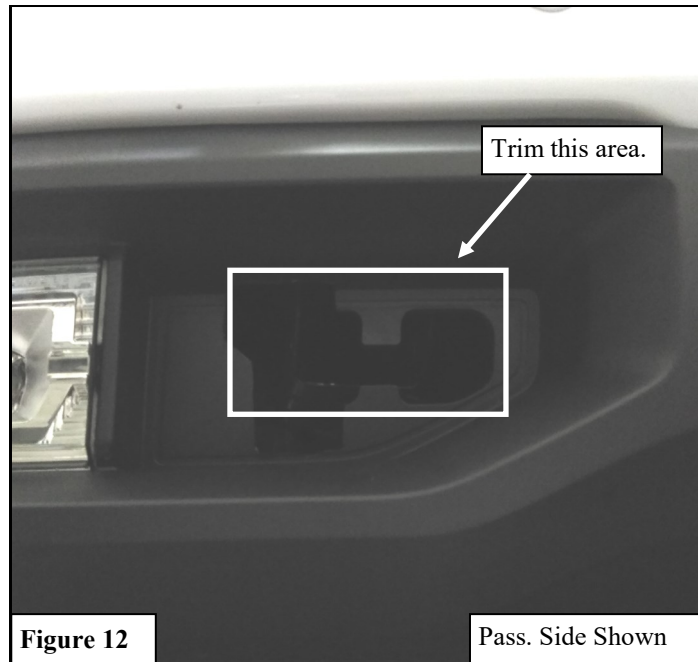
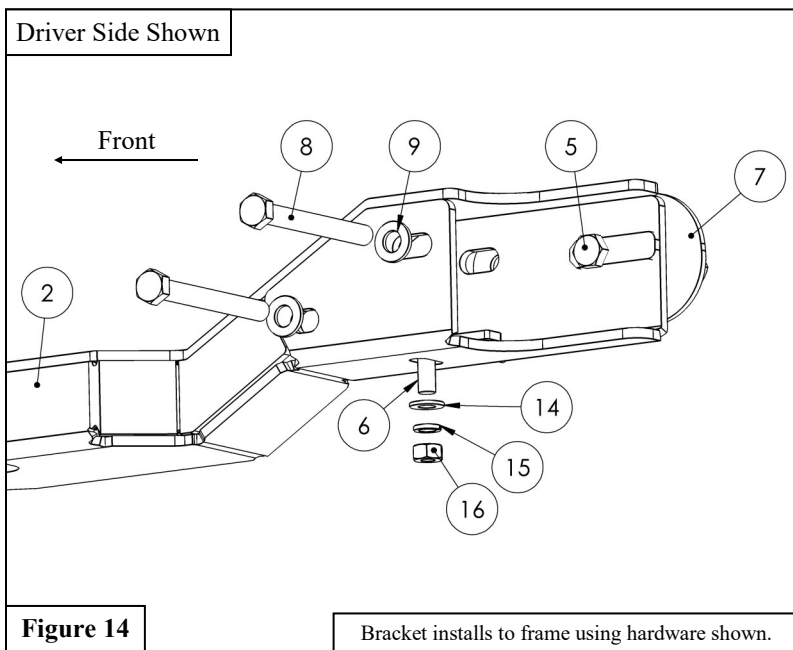
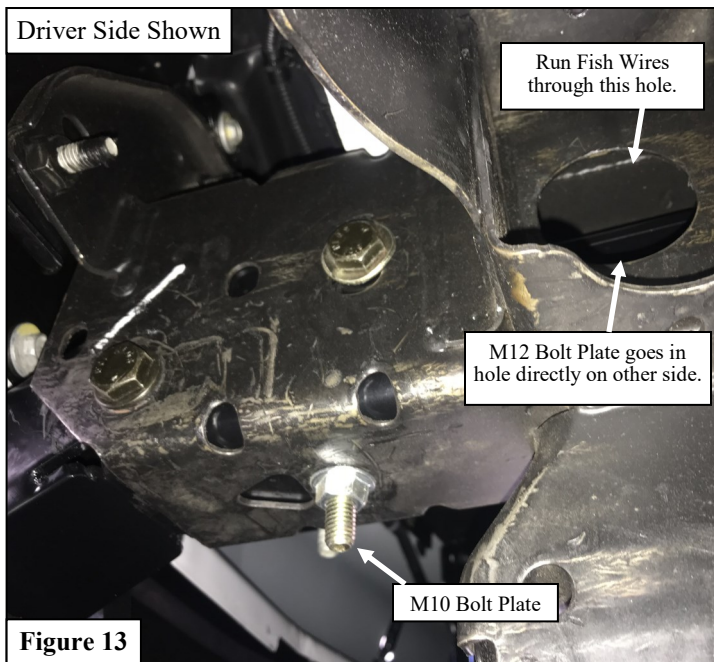


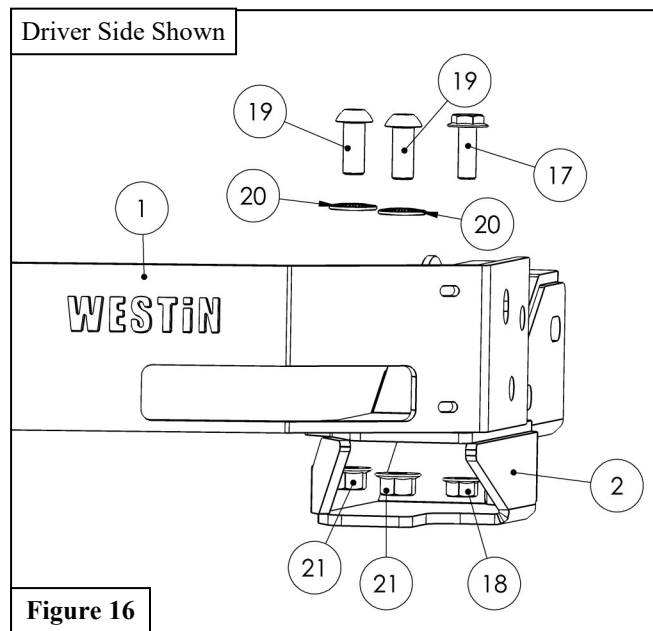
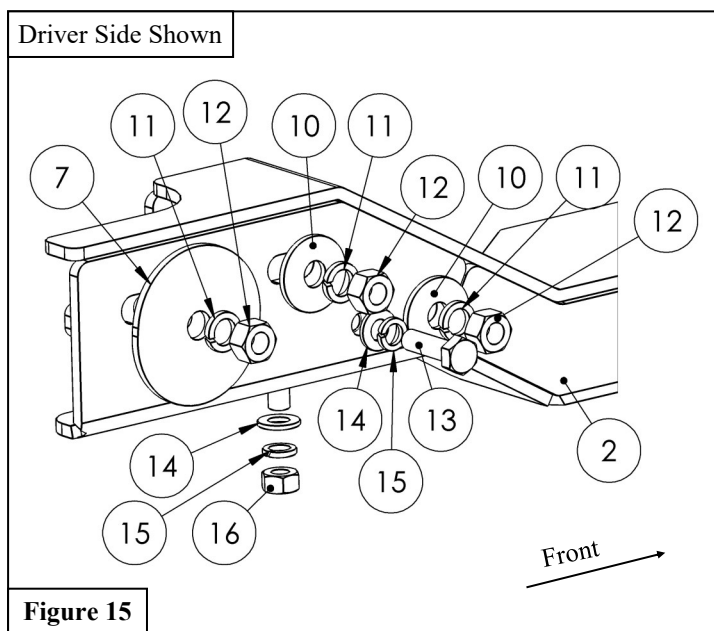
Figure 12

Pass. Side Shown

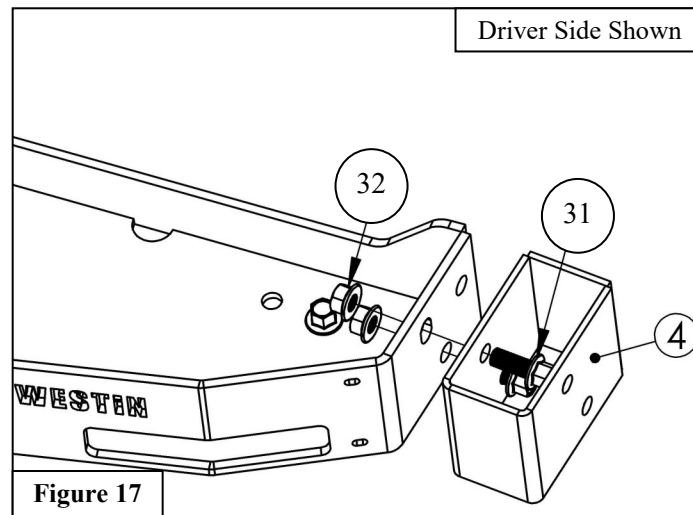
20. Insert the Winch Tray Mounting Bracket (Items 2-3) into the frame. Use the supplied M10 & M12 Fish Wires to insert the M10 and M12 Bolt Plates into their positions. See **Figure 13** for reference. **Note:** *The Plastic Retainer Squares (24-25) may be used to hold the bolt plates in place.*
21. Use the supplied Large Spacer Washer (Item 7) along with the supplied M10 and M12 Hardware to finish installing the Winch Tray Mounting Brackets (Items 2-3). See **Figures 14 & 15** for reference. **Note:** *Leave hardware loose until end of install.*



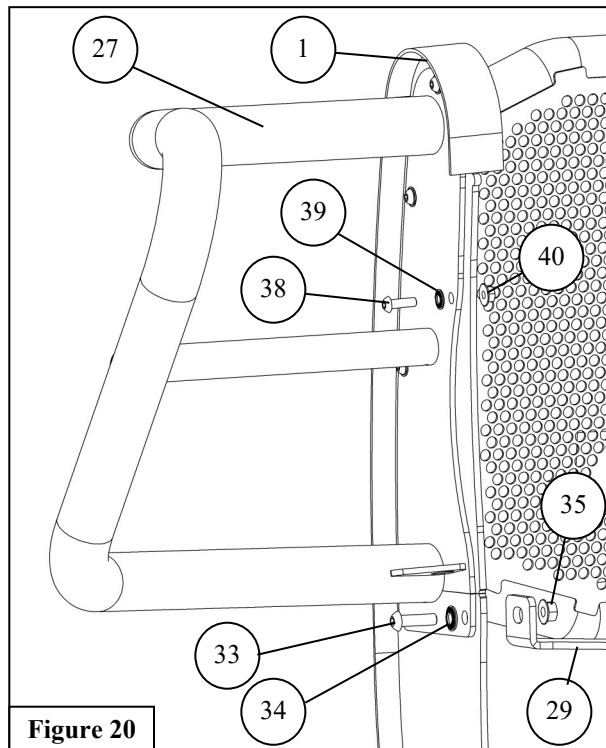
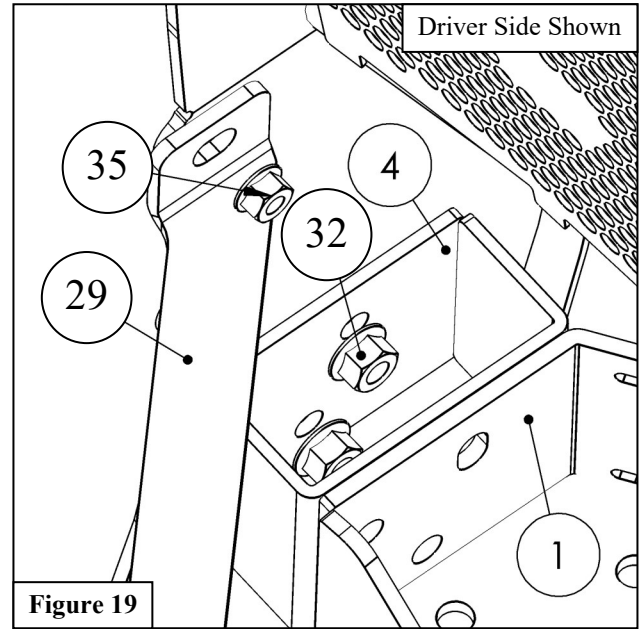
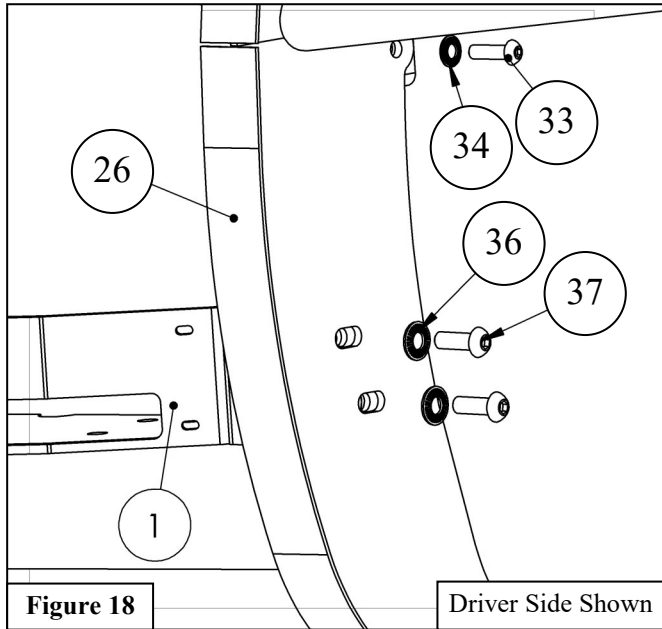
22. Reinstall the bumper using the OEM hardware.
23. Loosely install the Winch Tray to the Winch Tray Mounting Brackets using the supplied M10 hardware (Items 17 and 18) and the supplied M12 hardware (Items 19-21). See **Figure 16** for reference.



24. Locate and attach both Spacer Brackets (Item 4) to the Winch Tray using (4) M12 hex head flange bolts and (4) M12 hex head serrated flange nut (Items 31-32). See **Figure 17** for reference.
25. Install winch at this time per manufacturer's installation instructions. **Note:** *It may be very difficult to install the winch after the Grille Guard has been installed.*



26. Reinstall any parts removed and connect any wiring connectors in the reverse order of the installation instructions.
27. With assistance hold the Grille Guard Base up to the previously installed brackets. Loosely attach the Grille Guard Base to the brackets using the supplied M12 hardware for the lower mounting brackets only. See **Figures 18 & 19** for reference.
28. Locate and mount the HDX Driver Wing (Item 27) to the Grille Guard Base using the supplied M8 Hardware (Items 38-40). **Note:** For the mounting hole shared with the upper Support Straps, the M10 Hardware will be used. See **Figures 18 - 2** for reference.
29. Repeat for the HDX Passenger Wing (Item 28).
30. Align and adjust the Grille Guard Base, Wings, and Winch Tray as necessary. Tighten and torque the M8 hardware to 16-18 ft-lbs, M10 hardware to 25-28 ft-lbs, and the M12 hardware to 50-55 ft-lbs.



INSTALLATION COMPLETE



©2018 WESTIN AUTOMOTIVE PRODUCTS, INC. ALL RIGHTS RESERVED



WARNING



Failure to follow these instructions could lead to death, personal injury, and / or property damage.

Failure to follow these instructions could lead to death, personal injury, and / or property damage.

FASTENERS:

All Westin supplied fasteners must be utilized and installed in accordance with the installation instructions and apply torque to the specifications as defined. **DOUBLE CHECK ALL FASTENERS BEFORE INITIAL USE, AND PERIODICALLY IN THE FUTURE TO ENSURE PROPER FUNCTION AND SAFETY.**

DRILLING:

Most Westin products do not require drilling for installation. If drilling is defined as required, use caution when drilling a vehicle. **FAILURE TO REVIEW AN AREA TO BE DRILLED MAY RESULT IN PERSONAL INJURY AND/OR INJURY TO OTHERS AS WELL AS VEHICLE DAMAGE.**

EYE PROTECTION:

ALWAYS WEAR SAFETY GLASSES OR GOGGLES DURING THE INSTALLATION PROCESS TO AVOID PERSONAL INJURY.

MAXIMUM TOWING/CARRYING CAPACITY: (if applicable)

The Westin Receiver Hitches will have a visible tow rating label affixed directly on the product. User should never exceed the vehicle manufacturers maximum tow and weight rating regardless of the capacity of the hitch. **FAILURE TO FOLLOW THESE GUIDELINES WILL VOID THE WESTIN WARRANTY AND MAY RESULT IN PERSONAL INJURY AND/OR INJURY TO OTHERS AS WELL AS VEHICLE DAMAGE.**

FOR CALIFORNIA RESIDENTS ONLY-PROP 65 WARNING:

Some products may contain chemicals such as DEHP, which can cause cancer, birth defects or other reproductive harm. For more info go to www.p65warnings.ca.gov



Westin Automotive Products, Inc.
320 W. Covina Blvd
San Dimas, Ca. 91773