



INSTALLATION INSTRUCTIONS

MAX WINCH TRAY/HDX WINCH TRAY GRILLE GUARD

APPLICATION:

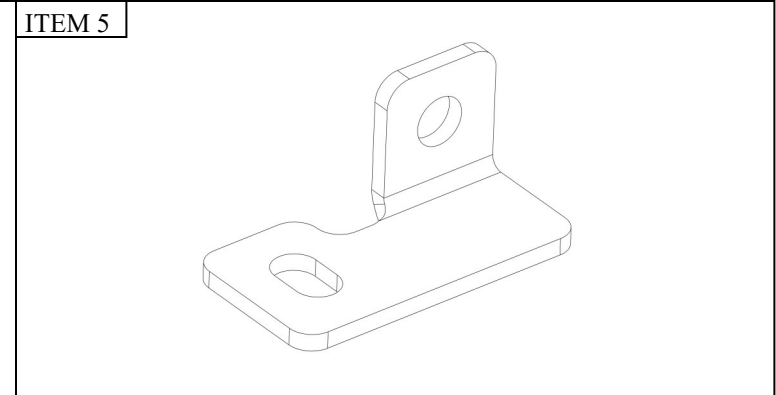
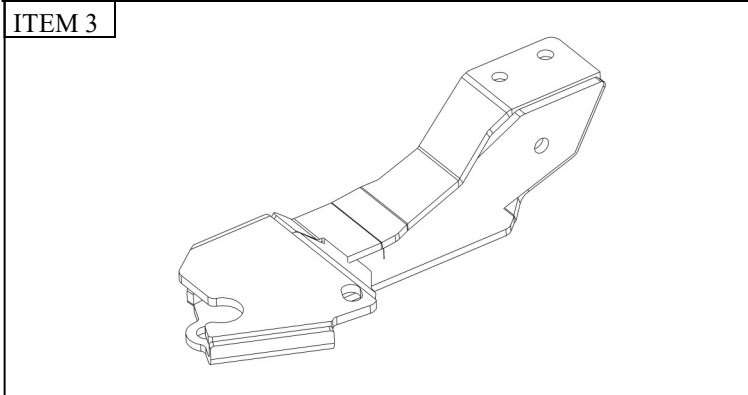
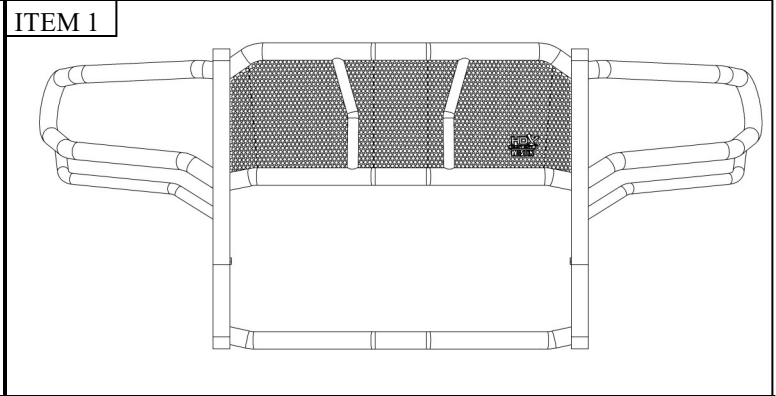
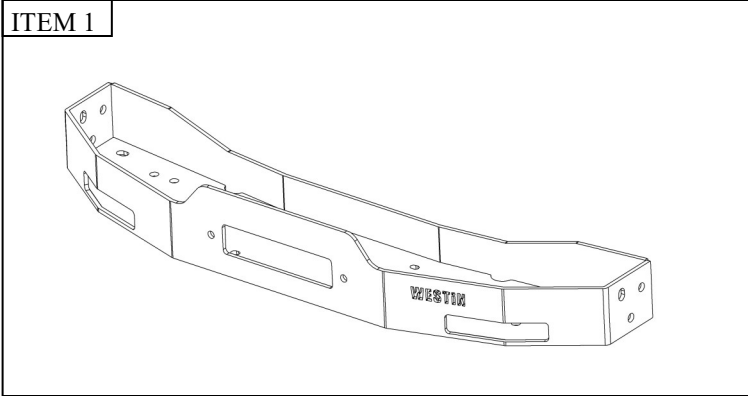
2019-2021 Ram 1500 (Excl. 2019-2020 1500 Classic, Rebel, & Warlock)

PART NUMBER:

Winch Tray Kit: 46-23975
Grille Guard Kit: 57-93975A

Kit Number: 57-93975

CONTENT			
ITEM	QUANTITY	DESCRIPTION	TOOLS NEEDED
1	1	MAX WINCH TRAY	17MM WRENCH
2	1	DRIVER WINCH TRAY MOUNTING BRACKET	17MM SOCKET
3	1	PASSENGER WINCH TRAY MOUNTING BRACKET	19MM WRENCH
4	1	LOWER DRIVER STRAP	19MM SOCKET
5	1	LOWER PASSENGER STRAP	22MM SOCKET
6	2	M14 HEX HEAD CAP SCREW	8MM ALLEN
7	2	M14 SPLIT LOCK WASHER	19MM WRENCH
8	2	M14 FLAT WASHER	HAMMER
9	4	M10 HEX NUT	RATCHET
10	4	M10 HEX HEAD CAP SCREW	TORQUE WRENCH
11	6	M10 FLAT WASHER SMALL	
12	2	M10 FLAT WASHER LARGE	
13	4	M10 SPLIT LOCK WASHER	
14	4	M12 HEX NUT	
15	8	M12 FLAT WASHER	
16	4	M12 SPLIT LOCK WASHER	
17	4	M12 HEX HEAD CAP SCREW	
18	1	HDX GRILLE GUARD	
HARDWARE ITEMS BELOW ARE INCLUDED WITH THE GRILLE GUARD KIT			
19	6	M12 HEX SOCKET BUTTON HEAD SCREW	
20	6	M12 BELVILLE WASHER	
21	6	M12 SERRATED FLANGE NUT	
ANTI-SEIZE LUBRICANT MUST BE USED ON ALL STAINLESS STEEL FASTENERS TO PREVENT THREAD DAMAGE AND GALLING			

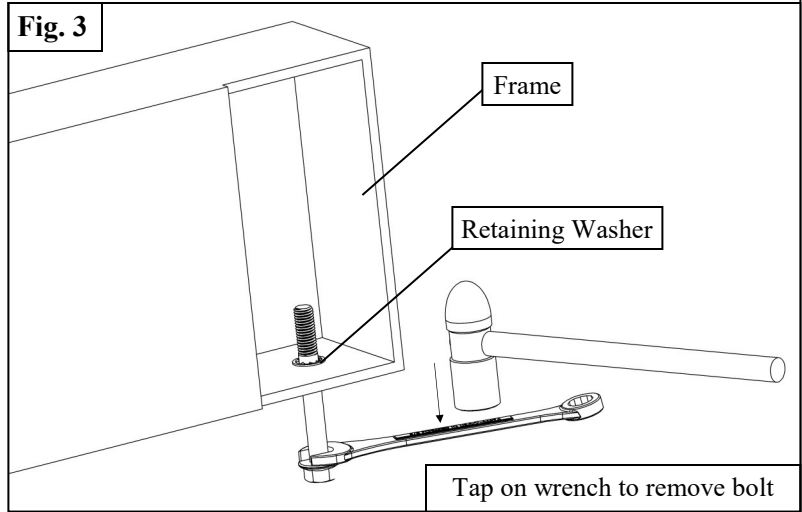
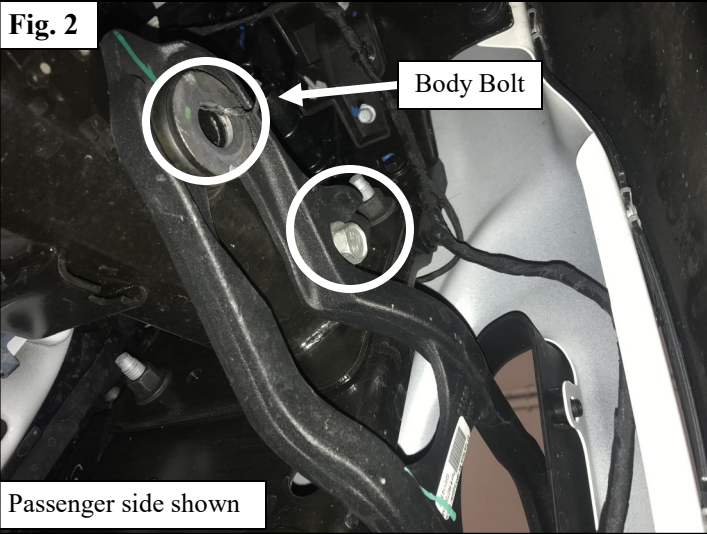


2. If equipped, start by removing the front license plate holder. There are two bolts behind the license plate. **See Figure 1.**
Note: The factory license plate holder cannot be re-used. A license plate relocation kit is sold separately.

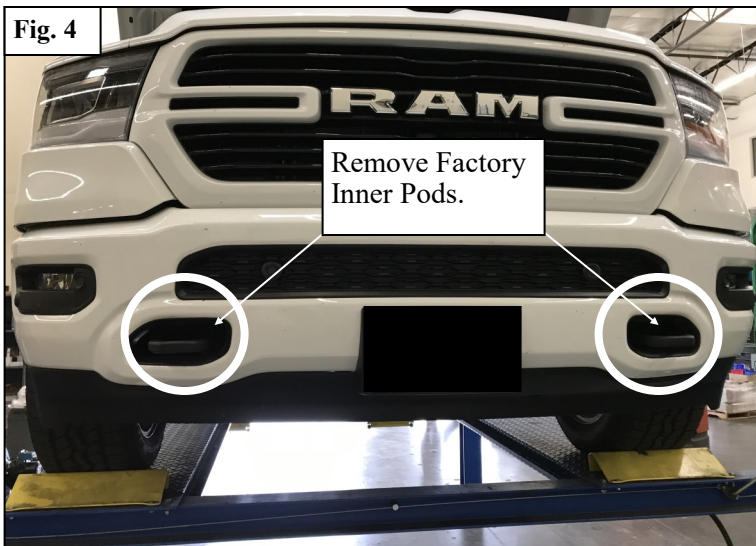


FACTORY TOW HOOK REMOVAL
Note: This also applies to vehicles without tow hooks.

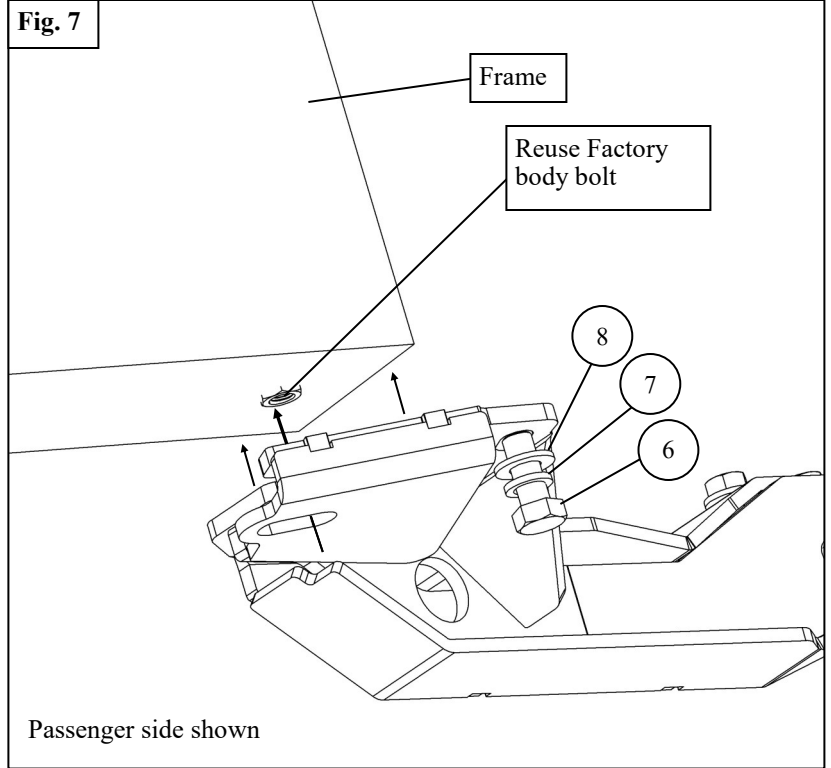
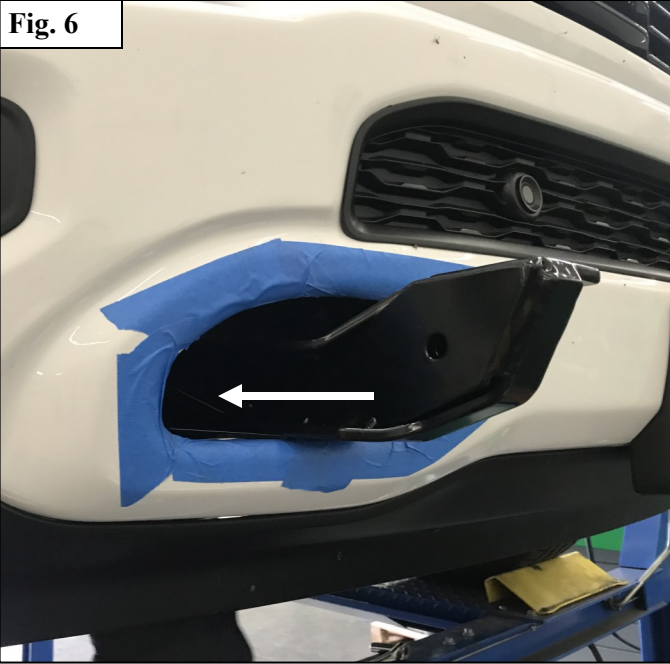
3. Unbolt the two bolts holding the factory tow hooks. These bolt locations are also used for supplied brackets later on.
Note: Factory tow hooks cannot be re-used. See Figure 2.
4. There is a retainer washer inside the frame that holds in the body bolt after loosening it. Using a wrench and a hammer, tap the wrench on the bolt until it falls out. See Figure 3.



4. Move to the Inner plastic Pods where the factory tow hooks go through. Remove the two nuts on top of the pod. Slide the pod out and repeat on other side. See Figure 4-5.



- Slide the Winch Tray Brackets (2, 3) into the exposed holes in the bumper. Using the supplied M14 hardware and factory body bolts, loosely install the brackets into the factory holes (from **Figure 2**) . See **Figure 6**.



- Using the supplied M10 hardware, install the Lower Reinforcement Straps (4, 5) onto the front core support and winch bracket. See **Figure 8-10**.

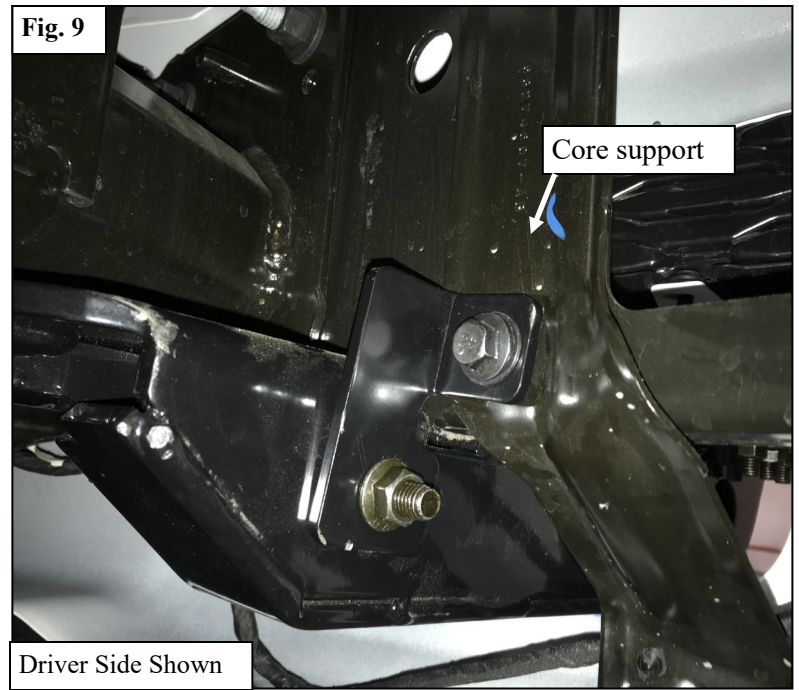
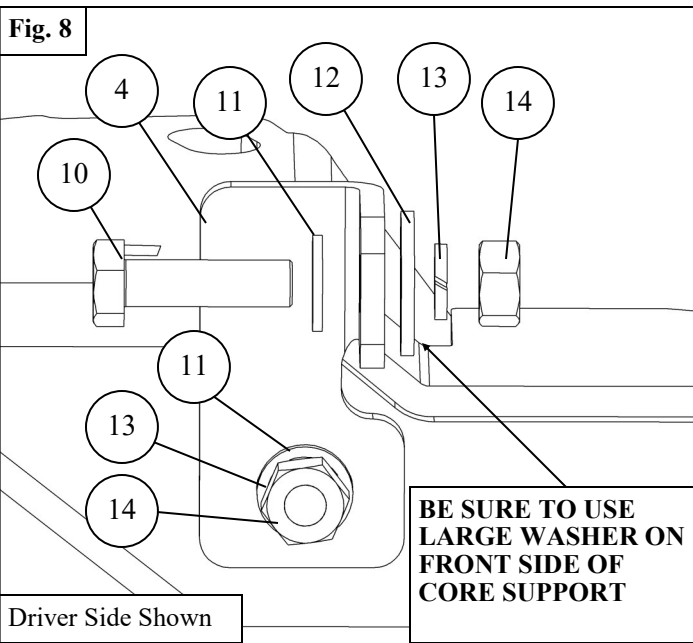
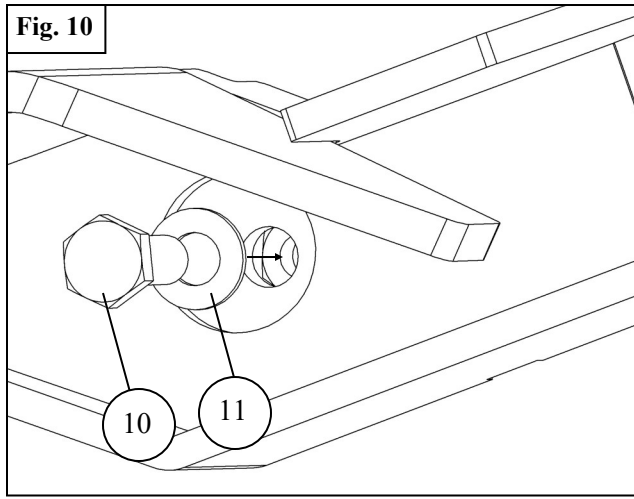


Fig. 10



7. Set the Winch Tray (1) on top of the brackets. See Figure 11.
8. Loosely install the Winch Tray using the supplied M12 Hardware . See Figure 12.
9. Adjust winch tray and torque down all hardware to specified ft-lbs: M10 to 35 ft-lbs, M12 to 60 ft-lbs, M14 to 100 ft-lbs.

Fig. 11

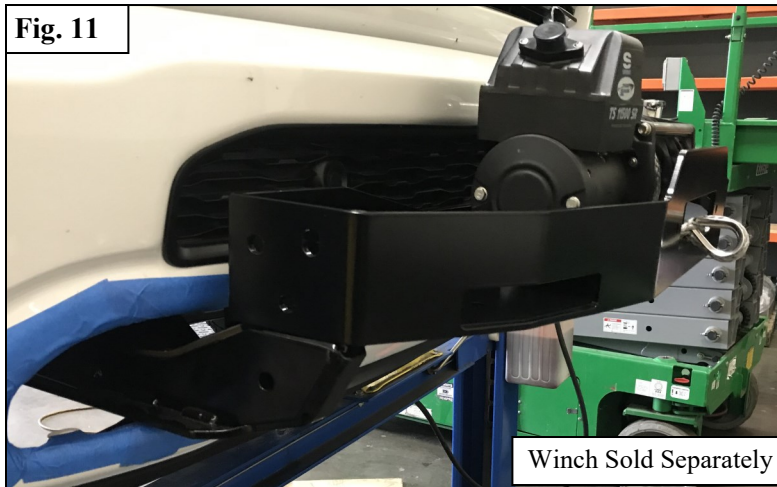
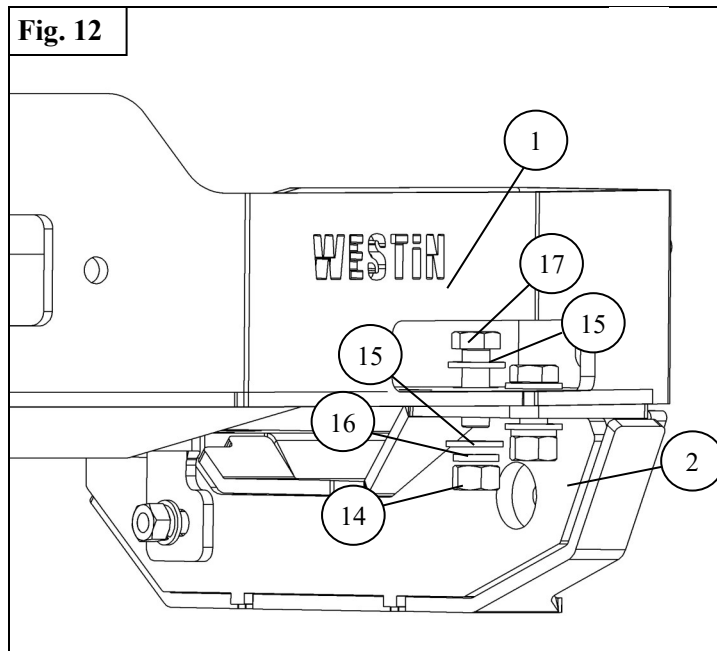
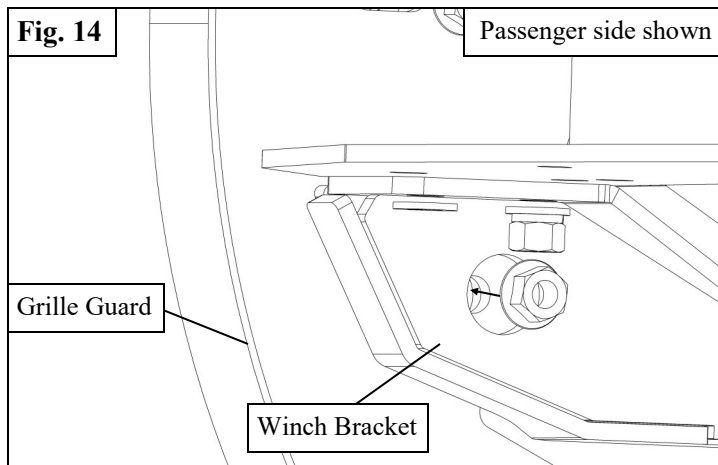
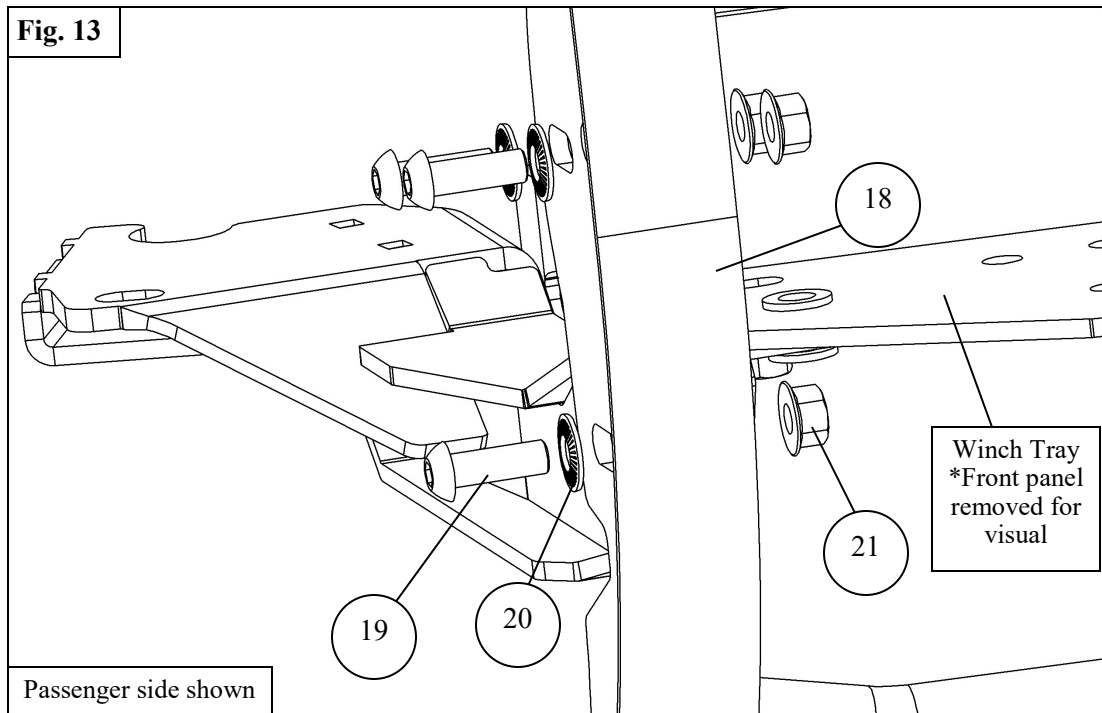


Fig. 12



Grille Guard Installation (57-93975 only)

- Slide the Grille Guard (1) on to the MAX Winch Tray assembly.
- Loosely install the Grille Guard on to the winch tray and the winch brackets using the supplied M12 Hardware. See Figure 13-14



- Adjust the bumper and torque down all M12 hardware to 60 ft lbs.



Westin Automotive Products, Inc.
320 W. Covina Blvd
San Dimas, Ca. 91773

INSTALLATION COMPLETE



Winch and tow hooks sold separately

CARE INSTRUCTIONS

- REGULAR WAXING IS RECOMMENDED. DO NOT USE ANY TYPE OF POLISH OR WAX THAT MAY CONTAIN ABRASIVES.
- STAINLESS STEEL PRODUCTS CAN BE CLEANED WITH MILD SOAP AND WATER. STAINLESS STEEL POLISH SHOULD BE USED TO POLISH SMALL SCRATCHES.
- GLOSS BLACK FINISHES SHOULD BE CLEANED WITH MILD SOAP AND WATER.

WESTIN Westin Automotive Products, Inc.
320 W. Covina Blvd
San Dimas, Ca. 91773

Thank you for choosing Westin products
for additional installation assistance please call
Customer Service (800) 793-7846
www.westinautomotive.com



WARNING



Failure to follow these instructions could lead to death, personal injury, and / or property damage.

Failure to follow these instructions could lead to death, personal injury, and / or property damage.

FASTENERS:

All Westin supplied fasteners must be utilized and installed in accordance with the installation instructions and apply torque to the specifications as defined. **DOUBLE CHECK ALL FASTENERS BEFORE INITIAL USE, AND PERIODICALLY IN THE FUTURE TO ENSURE PROPER FUNCTION AND SAFETY.**

DRILLING:

Most Westin products do not require drilling for installation. If drilling is defined as required, use caution when drilling a vehicle. **FAILURE TO REVIEW AN AREA TO BE DRILLED MAY RESULT IN PERSONAL INJURY AND/OR INJURY TO OTHERS AS WELL AS VEHICLE DAMAGE.**

EYE PROTECTION:

ALWAYS WEAR SAFETY GLASSES OR GOGGLES DURING THE INSTALLATION PROCESS TO AVOID PERSONAL INJURY.

MAXIMUM TOWING/CARRYING CAPACITY: (if applicable)

The Westin Receiver Hitches will have a visible tow rating label affixed directly on the product. User should never exceed the vehicle manufacturers maximum tow and weight rating regardless of the capacity of the hitch. **FAILURE TO FOLLOW THESE GUIDELINES WILL VOID THE WESTIN WARRANTY AND MAY RESULT IN PERSONAL INJURY AND/OR INJURY TO OTHERS AS WELL AS VEHICLE DAMAGE.**

FOR CALIFORNIA RESIDENTS ONLY-PROP 65 WARNING:

Some products may contain chemicals such as DEHP, which can cause cancer, birth defects or other reproductive harm. For more info go to www.p65warnings.ca.gov



Westin Automotive Products, Inc.
320 W. Covina Blvd
San Dimas, Ca. 91773