

INSTALLATION INSTRUCTIONS

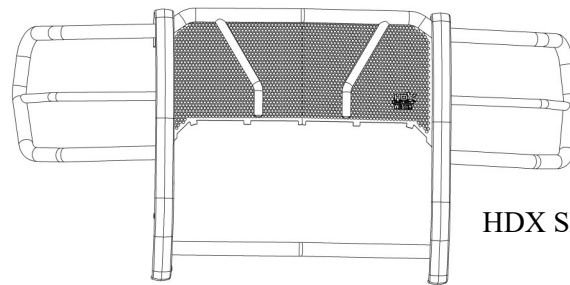
APPLICATION:
2020-2021 Ford F250/350
PART NUMBER:
Winch Tray Kit: 46-23905
Grille Guard Kit: 57-94015A

Kit Number: 57-94015

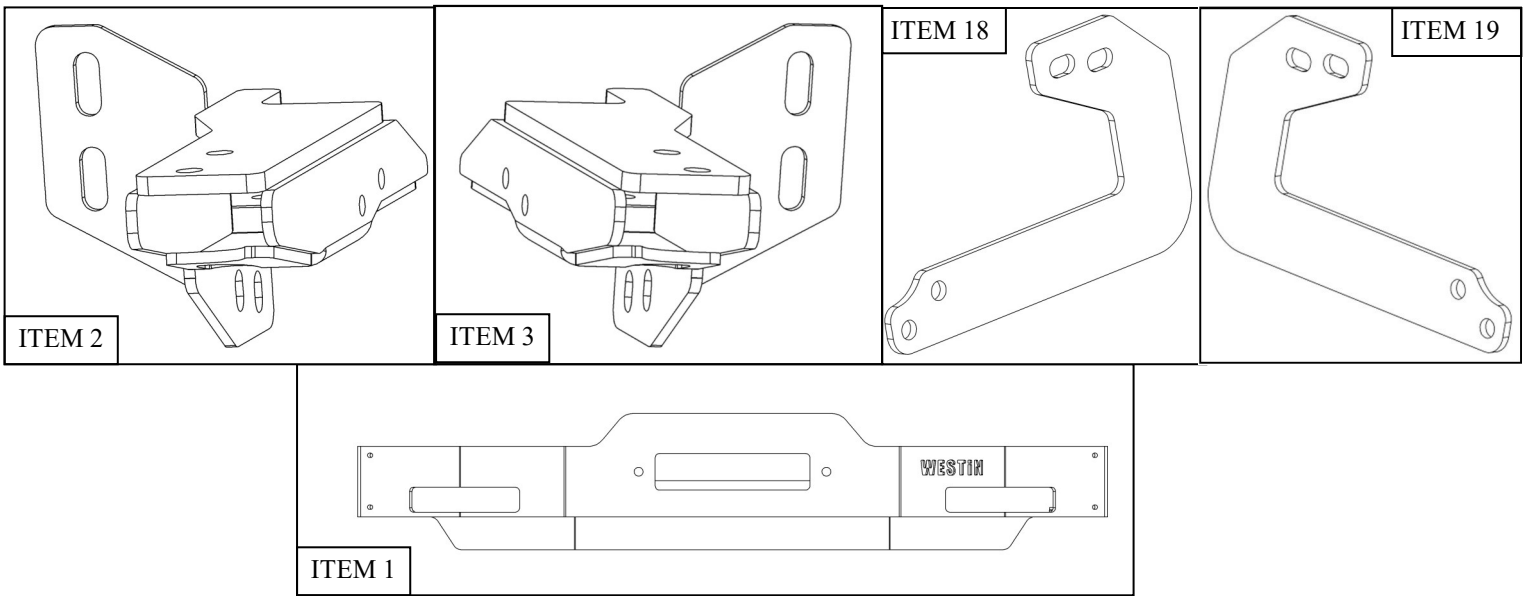
ITEM	QUANTITY	DESCRIPTION	TOOLS NEEDED
1	1	WINCH TRAY	TORQUE WRENCH
2,3	2	LOWER MOUNT BRACKET, DRIVER (2) AND PASSENGER (3)	17MM SOCKET
4,5	2	BUMPER BRACKET, DRIVER (4) AND PASSENGER (5)	19MM SOCKET
6	12	M12 HEX HEAD CAP SCREW (YELLOW ZINC)	18MM SOCKET
7	20	M12 HEX NUT (YELLOW ZINC)	FLAT HEAD SCREW DRIVER
8	20	M12 SPLIT LOCK WASHER (YELLOW ZINC)	
9	32	M12 FLAT WASHER (YELLOW ZINC)	ALLEN WRENCH
10	4	M10 HEX HEAD CAP SCREW (YELLOW ZINC)	SOCKET EXT.
11	4	M10 SPLIT LOCK WASHER (YELLOW ZINC)	RATCHET
12	4	M10 FLAT WASHER (YELLOW ZINC)	
13	4	M12 HEX HEAD CAP SCREW (BLACK ZINC)	
14	4	M12 HEX NUT (BLACK ZINC)	
15	4	M12 SPLIT LOCK WASHER (BLACK ZINC)	
16	8	M12 FLAT WASHER (BLACK ZINC)	
17	1	HDX GRILLE GUARD (INCLUDED WITH KIT 57-94015)	
HARDWARE ITEMS BELOW ARE INCLUDED WITH THE GRILLE GUARD KIT			
18,19	2	LOWER SUPPORT BRACKET	
20	10	M12 HEX SOCKET BUTTON HEAD SCREW (BLACK ZINC)	
21	10	M12 CUP WASHER (BLACK ZINC)	
22	10	M12 SERRATED FLANGE NUT (BLACK ZINC)	
23	4	M12 HEX HEAD SCREW (BLACK ZINC)	
24	8	M12 FLAT WASHER (YELLOW ZINC)	
25	4	M12 HEX NUT (YELLOW ZINC)	
26	4	M12 SPLIT LOCK WASHER (YELLOW ZINC)	

ANTI-SEIZE LUBRICANT MUST BE USED ON ALL STAINLESS STEEL FASTENERS TO PREVENT THREAD DAMAGE AND GALLING

ITEM 17



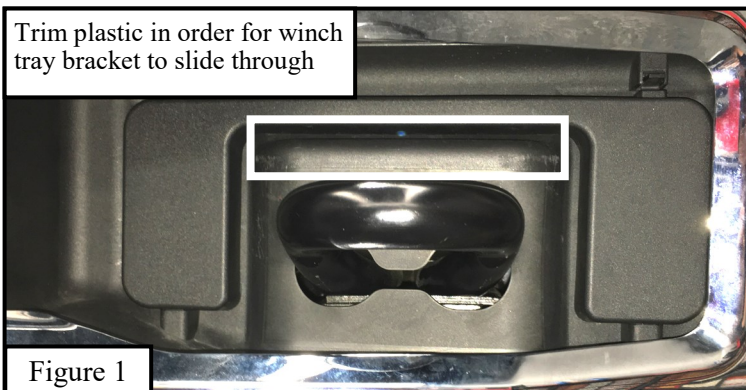
HDX Shown



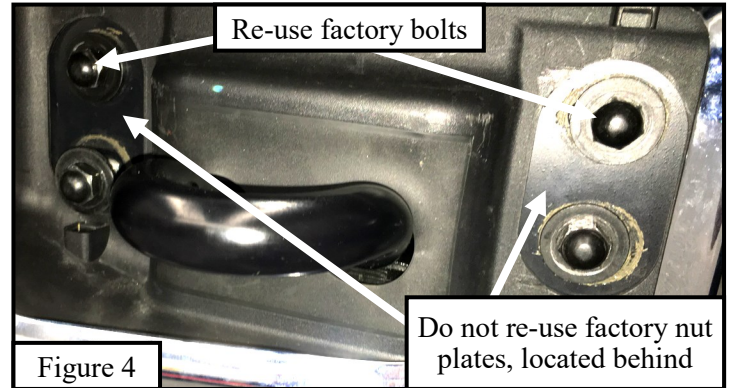
PROCEDURE

1. Remove contents from box, verify if all parts listed are present and free from damage. Carefully read and understand all instructions before attempting installation. **Failure to identify damage before installation could lead to a rejection of any claim.**

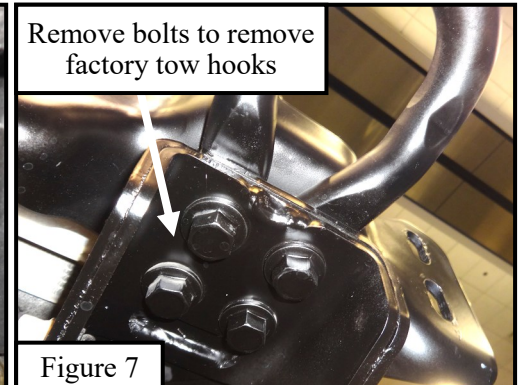
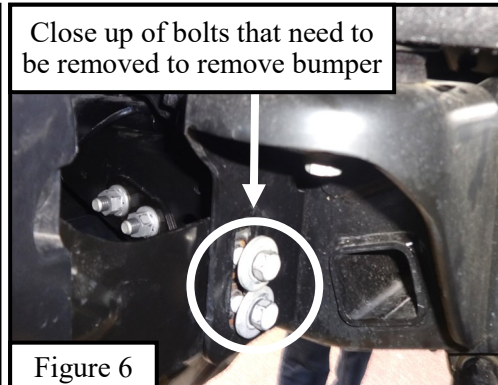
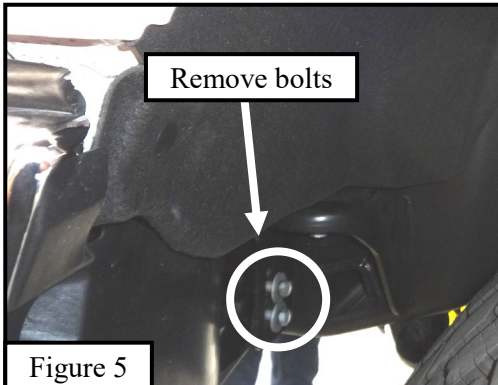
2. Starting on either side, use a flathead screw driver to remove the plastic covers located around the factory tow hooks. Repeat for opposite side. Plastic around tow hook must be trimmed in order for bracket to fit through. **See Figures 4 and 5.**



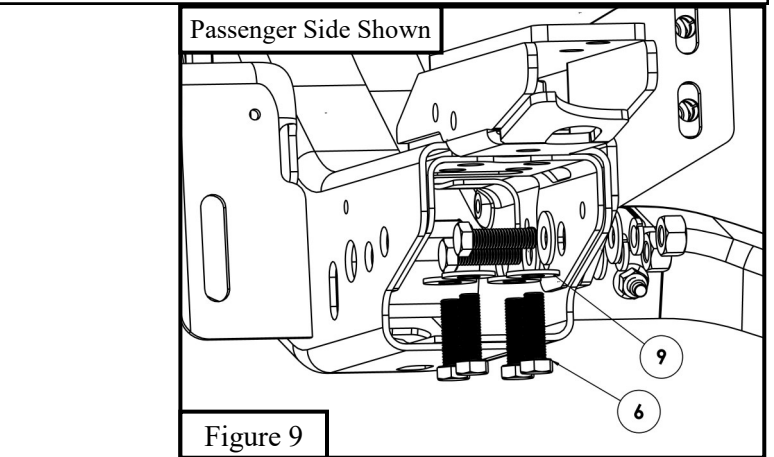
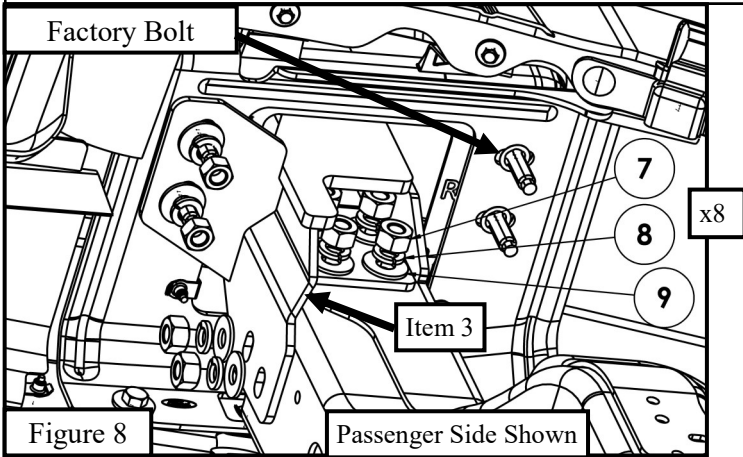
3. Underneath the front of the vehicle locate factory bracket that is attached on the frame and remove the factory hardware. **See Figure 6. Note:** Factory hardware will not be re-used.
4. Re-use the factory hardware from under the plastic cover. **See Figure 7. Note:** Factory nut plates will not be re-used.



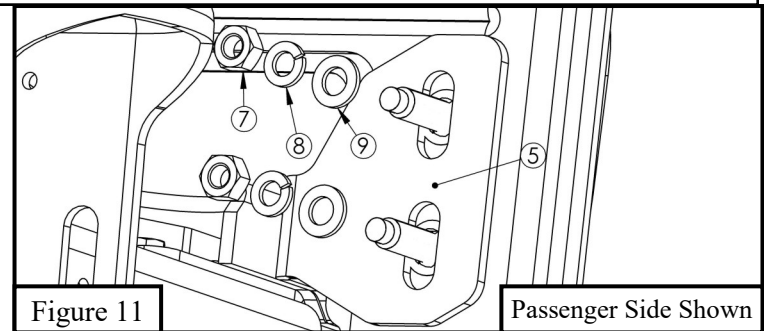
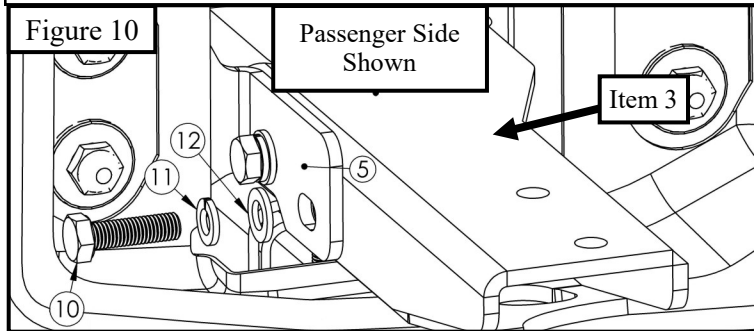
5. Remove bumper by removing (4) bolts on both sides of the vehicle near the front tires and make sure to disconnect any electrical wires. **See Figures 8 and 9.**
6. Remove the factory tow hooks. **Note:** Factory tow hooks will not be re-used. **See Figure 10.**



7. Starting on either side of the vehicle. Locate (1) Lower Mount Bracket (Item 2/3) and from the front of the vehicle install it where the tow hooks were. Align the bracket with the vehicle frame at the same location that the factory bracket was removed. Loosely install using (4) M12 hex head cap screws, (8) M12 hex nuts, (8) M12 split lock washers and (12) flat washers (Items 6 - 9). See Figures 11 and 12.



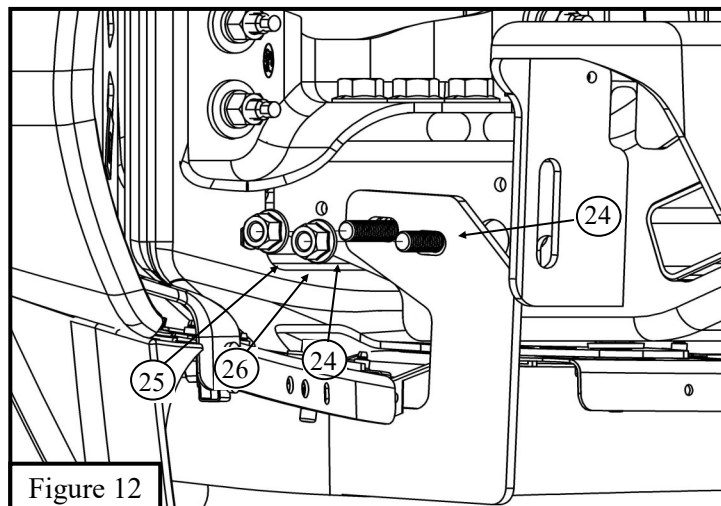
8. Locate (1) Bumper Bracket (Item 4/5) and loosely secure onto vehicle frame and Lower Mount Bracket using (2) M10 hex head cap screws, (2) M10 split lock washers, (2) M10 flat washers, (2) M12 flat washers, (2) M12 lock washers, and (2) M12 hex nuts. See Figures 13 and 14.



9. Locate (1) Lower Support Bracket (Item 18) and insert through the newly trimmed slots and loosely secure onto vehicle frame using the factory hardware. See Figure 8.

10. Repeat Steps 3 - 6 for other side.

11. Trimming of lower valence will need to be cut in order to slide the lower bracket through



12. Re-install front bumper in the opposite way that they were removed. Re-install the plastic cover where the factory tow hooks were located.
13. Locate (1) Winch Tray (Item 1) and loosely secure onto the Lower Mount Brackets using (4) M12 hex head cap screws, (4) M12 split lock washers, (8) M12 flat washers, and (4) M12 hex nuts. **See Figure 17.**
14. Locate (1) HDX Grille Guard (Items 17) and with assistance align it with the previously installed brackets and loosely secure using (6) M12 hex socket button head screws, (6) M12 cup washers, (6) M12 serrated flange nuts, (2) M10 hex socket button head screws, (2) M10 cup washers, and (2) M10 serrated flange nuts. **See Figure 18.**

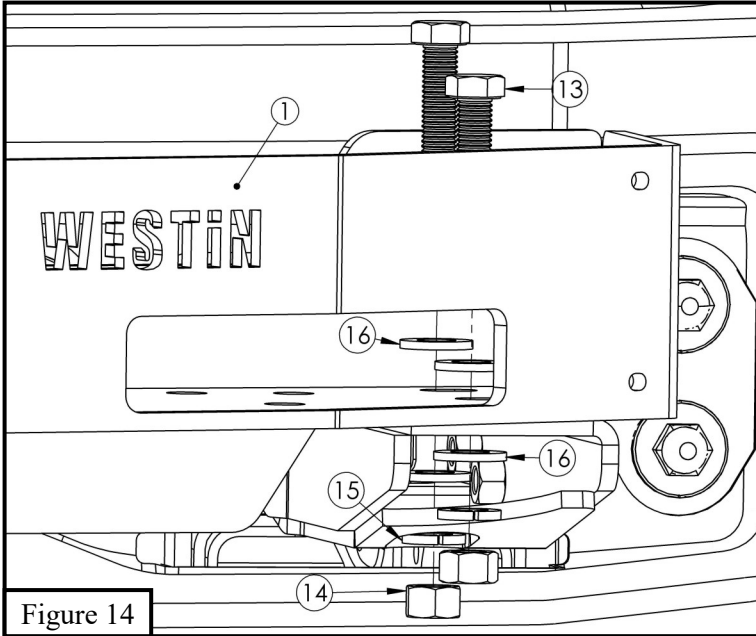


Figure 14

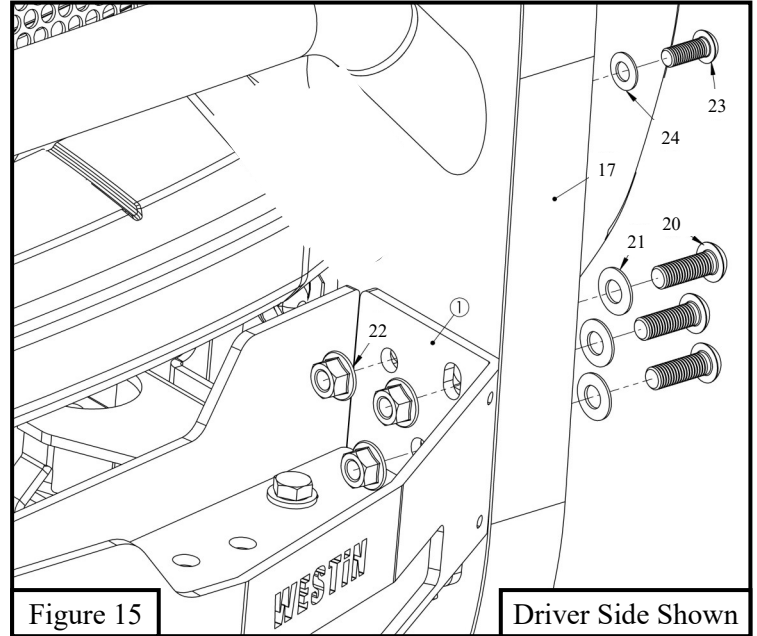


Figure 15

Driver Side Shown

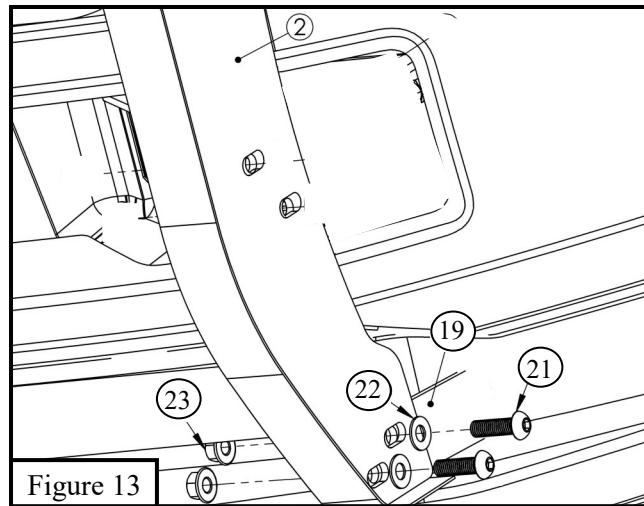


Figure 13

15. Align and adjust the grille guard and brackets as necessary and then torque all: M10 hardware to 30-35 ft-lbs, and M12 to 50-55 ft-lbs.

INSTALLATION COMPLETE



CARE INSTRUCTIONS

- REGULAR WAXING IS RECOMMENDED. DO NOT USE ANY TYPE OF POLISH OR WAX THAT MAY CONTAIN ABRASIVES.
- STAINLESS STEEL PRODUCTS CAN BE CLEANED WITH MILD SOAP AND WATER. STAINLESS STEEL POLISH SHOULD BE USED TO POLISH SMALL SCRATCHES.
- GLOSS BLACK FINISHES SHOULD BE CLEANED WITH MILD SOAP AND WATER.

WESTIN Westin Automotive Products, Inc.
320 W. Covina Blvd
San Dimas, Ca. 91773

Thank you for choosing Westin products
for additional installation assistance please call
Customer Service (800) 793-7846
www.westinautomotive.com



WARNING



Failure to follow these instructions could lead to death, personal injury, and / or property damage.

Failure to follow these instructions could lead to death, personal injury, and / or property damage.

FASTENERS:

All Westin supplied fasteners must be utilized and installed in accordance with the installation instructions and apply torque to the specifications as defined. **DOUBLE CHECK ALL FASTENERS BEFORE INITIAL USE, AND PERIODICALLY IN THE FUTURE TO ENSURE PROPER FUNCTION AND SAFETY.**

DRILLING:

Most Westin products do not require drilling for installation. If drilling is defined as required, use caution when drilling a vehicle. **FAILURE TO REVIEW AN AREA TO BE DRILLED MAY RESULT IN PERSONAL INJURY AND/OR INJURY TO OTHERS AS WELL AS VEHICLE DAMAGE.**

EYE PROTECTION:

ALWAYS WEAR SAFETY GLASSES OR GOGGLES DURING THE INSTALLATION PROCESS TO AVOID PERSONAL INJURY.

MAXIMUM TOWING/CARRYING CAPACITY: (if applicable)

The Westin Receiver Hitches will have a visible tow rating label affixed directly on the product. User should never exceed the vehicle manufacturers maximum tow and weight rating regardless of the capacity of the hitch. **FAILURE TO FOLLOW THESE GUIDELINES WILL VOID THE WESTIN WARRANTY AND MAY RESULT IN PERSONAL INJURY AND/OR INJURY TO OTHERS AS WELL AS VEHICLE DAMAGE.**

FOR CALIFORNIA RESIDENTS ONLY-PROP 65 WARNING:

Some products may contain chemicals such as DEHP, which can cause cancer, birth defects or other reproductive harm. For more info go to www.p65warnings.ca.gov



Westin Automotive Products, Inc.
320 W. Covina Blvd
San Dimas, Ca. 91773