

# INSTALLATION INSTRUCTIONS

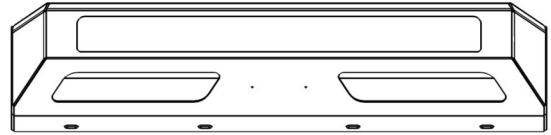
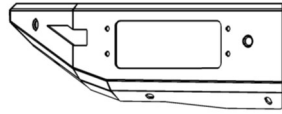
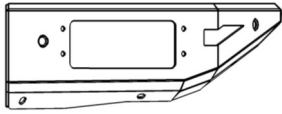
## PROMOD FRONT BUMPER



**APPLICATION:**  
Chevrolet Silverado 2500/3500 2015-2019  
**PART NUMBER:**  
58-41165

CONTENT			
ITEM	QUANTITY	DESCRIPTION	TOOLS NEEDED
1	1	DRIVER POD	10MM SOCKET
2	1	PASSENGER POD	RATCHET
3	1	CENTER SECTION	TORQUE WRENCH
4	1	DRIVER MOUNTING BRACKET	10MM WRENCH
5	1	PASSENGER MOUNTING BRACKET	13MM SOCKET
6	4	SENSOR L-TAB	13MM WRENCH
7	2	LED LIGHT BRACKET	17MM SOCKET
8	1	DRIVER SUPPORT STRAP	17MM WRENCH
9	1	PASSENGER SUPPORT STRAP	19MM SOCKET
10	4	SENSOR PLUG	19MM WRENCH
11	12	M6 HEX DRIVE BUTTON HEAD BOLT (BLACK ZINC)	CUTTING TOOL
12	12	M6 FLAT WASHER (BLACK ZINC)	
13	2	M8 HEX DRIVE BUTTON HEAD BOLT (BLACK ZINC)	
14	4	M8 FLAT WASHER (BLACK ZINC)	
15	2	M8 HEX NUT (BLACK ZINC)	
16	2	M8 SPLIT LOCK WASHER (BLACK ZINC)	
17	4	M12 SERRATED FLANGE NUT (YELLOW ZINC)	
18	4	M12 HEX HEAD BOLT (YELLOW ZINC)	
19	4	M12 LOCK WASHER (YELLOW ZINC)	
20	8	M12 FLAT WASHER (YELLOW ZINC)	
21	8	M10 FLAT WASHER (YELLOW ZINC)	
22	4	M10 SERRATED FLANGE NUT (YELLOW ZINC)	
23	4	M10 HEX HEAD BOLT (YELLOW ZINC)	
24	12	M6 SERRATED FLANGE NUT (YELLOW ZINC)	
25	4	M6 FLAT WASHER (YELLOW ZINC)	
26	4	M6 HEX NUT (YELLOW ZINC)	
27	4	M6 SQUARENECK ROUND HEAD BOLT (YELLOW ZINC)	
28	4	M6 SPLIT LOCK WASHER (YELLOW ZINC)	
29, 30	2	MESH COVER PLATE (1 DRV, 1 PASS)	

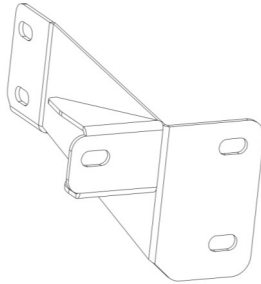
**ANTI-SEIZE LUBRICANT MUST BE USED ON ALL STAINLESS STEEL FASTENERS TO PREVENT THREAD DAMAGE AND GALLING**



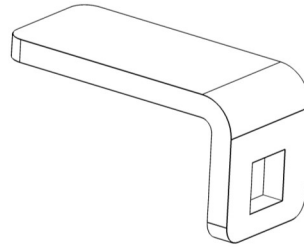
ITEM 1

ITEM 2

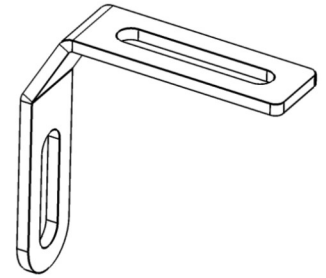
ITEM 3



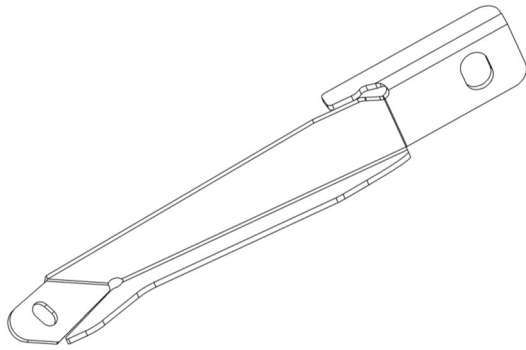
ITEM 4



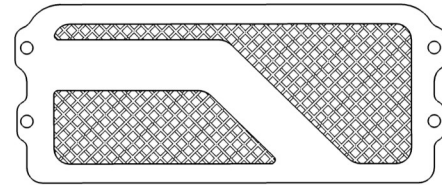
ITEM 6



ITEM 7



ITEM 8



ITEM 30

### PROCEDURE

1. Remove contents from box, verify if all parts listed are present and free from damage.  
Carefully read and understand all instructions before attempting installation.  
**Failure to identify damage before installation could lead to a rejection of any claim.**

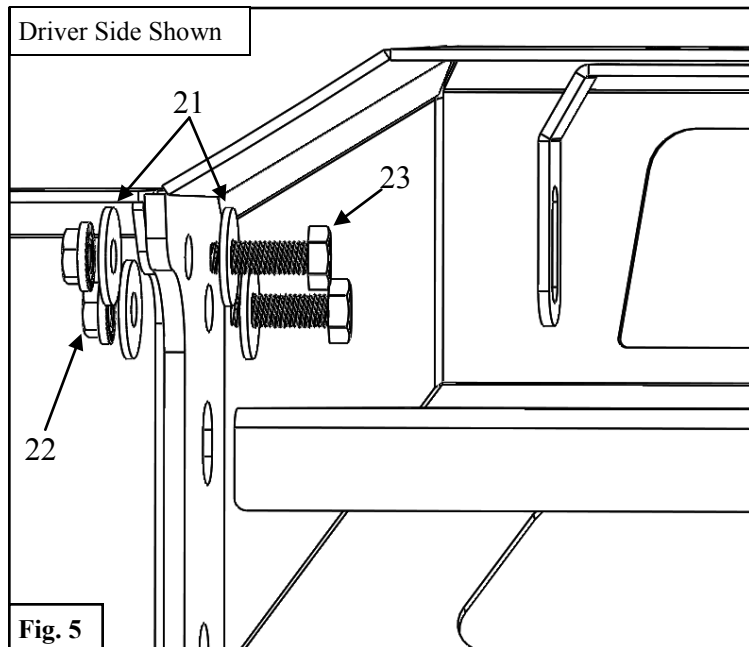
2. Remove OEM bumper
  - a. Open the hood of the vehicle and remove the plastic cover at the front using a pry tool. See **Figure 1**.
  - b. Remove the four bolts holding the grill in place and uninstall the grill. See **Figure 2**.
  - c. Remove the braces on each side of the vehicle by removing the bolts indicated in **Figure 3**.
  - d. Disconnect all electrical connections to the stock bumper.
  - e. Remove the two bolts indicated in **Figure 4** on the driver's side of the vehicle. Repeat procedure on the passenger's side.
  - f. Remove bumper.



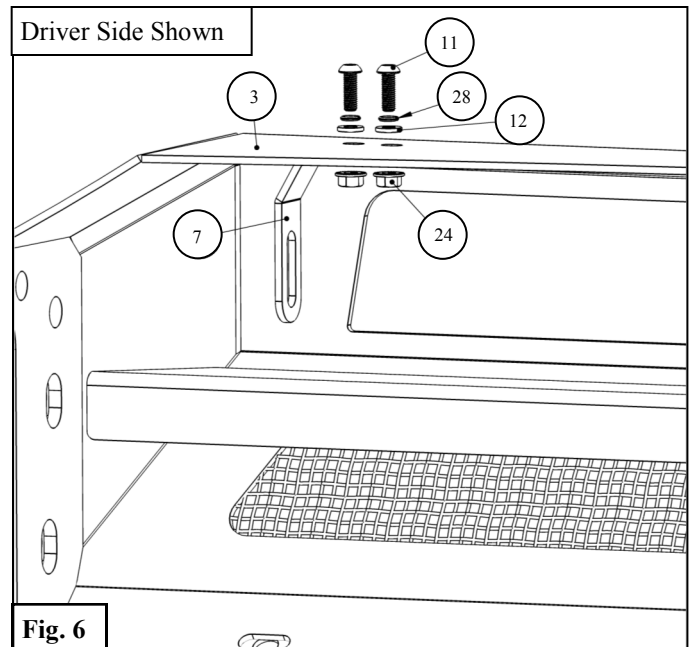


**Fig. 4**

3. Use the supplied M10 Hardware to attach each Side Pod Assembly (1,2) to the Center Section (3). See **Figure 5**.
4. Use the supplied M6 Hardware to attach the LED Brackets (15) to the center section. See **Figure 6**. *Note: If installing an LED Light Bar (sold separately), install it at this time.*



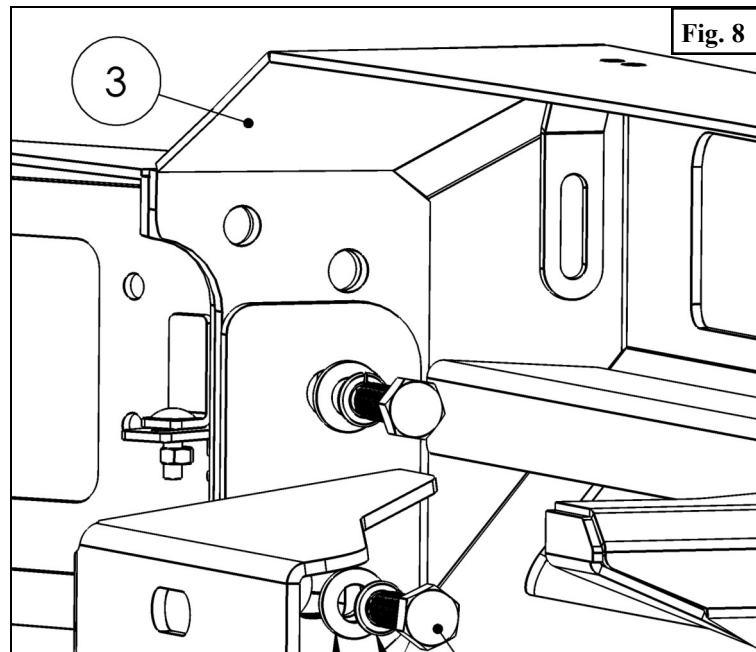
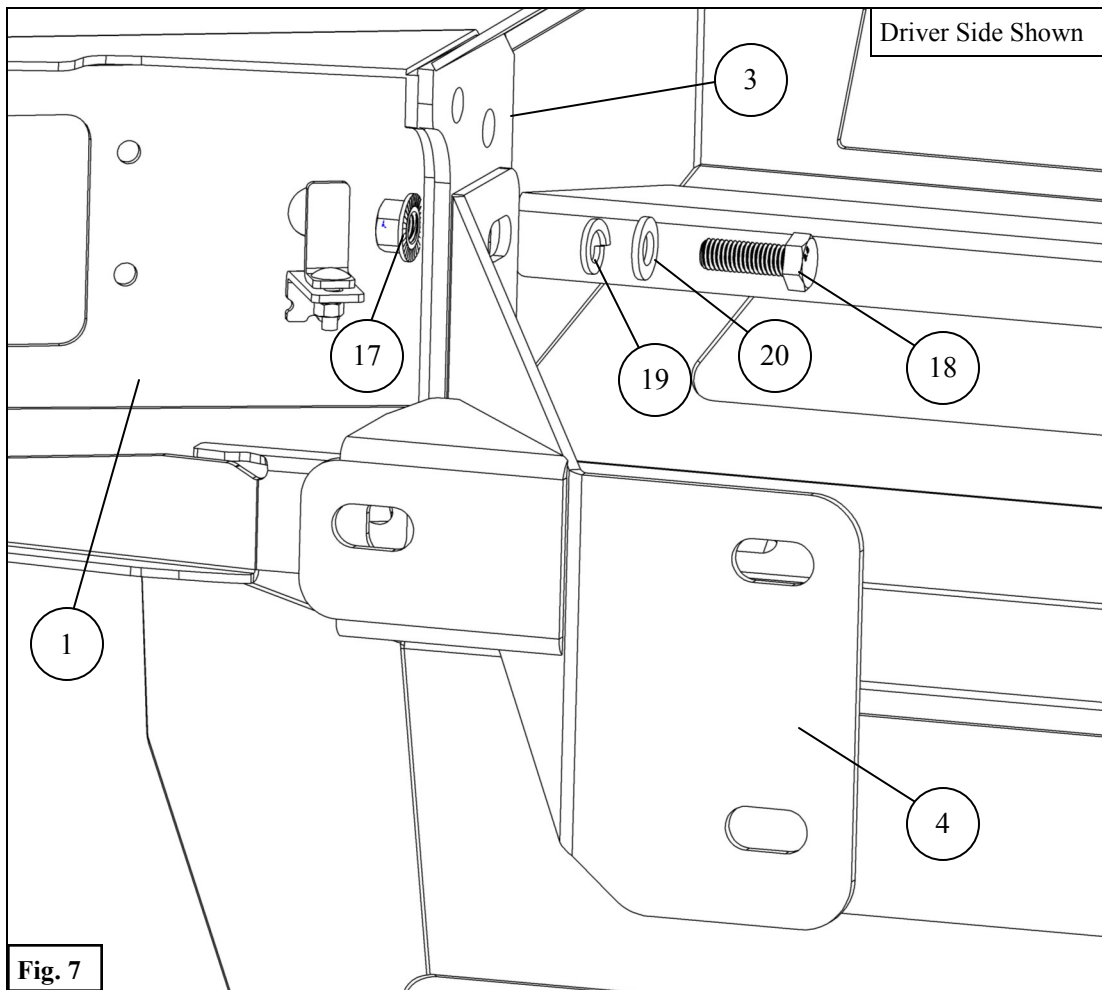
**Fig. 5**



**Fig. 6**



5. Loosely install the bumper assembly to the Mounting Brackets (6,7) using the supplied M12 Hardware. See **Figures 7 & 8.**



## PARKING SENSOR INSTALLATION

**\*If not installing sensors, install Hole Plugs (10) into holes on bumper and proceed**

6. Remove the parking sensors from the OEM bumper.
7. Use the Sensor Tab (6) along with the supplied M6 Hardware (26, 27) to install the sensors as shown in **Figure 9**.
8. Make sure to maintain OEM sensor orientation.
9. Handle sensors with care as they are fragile.

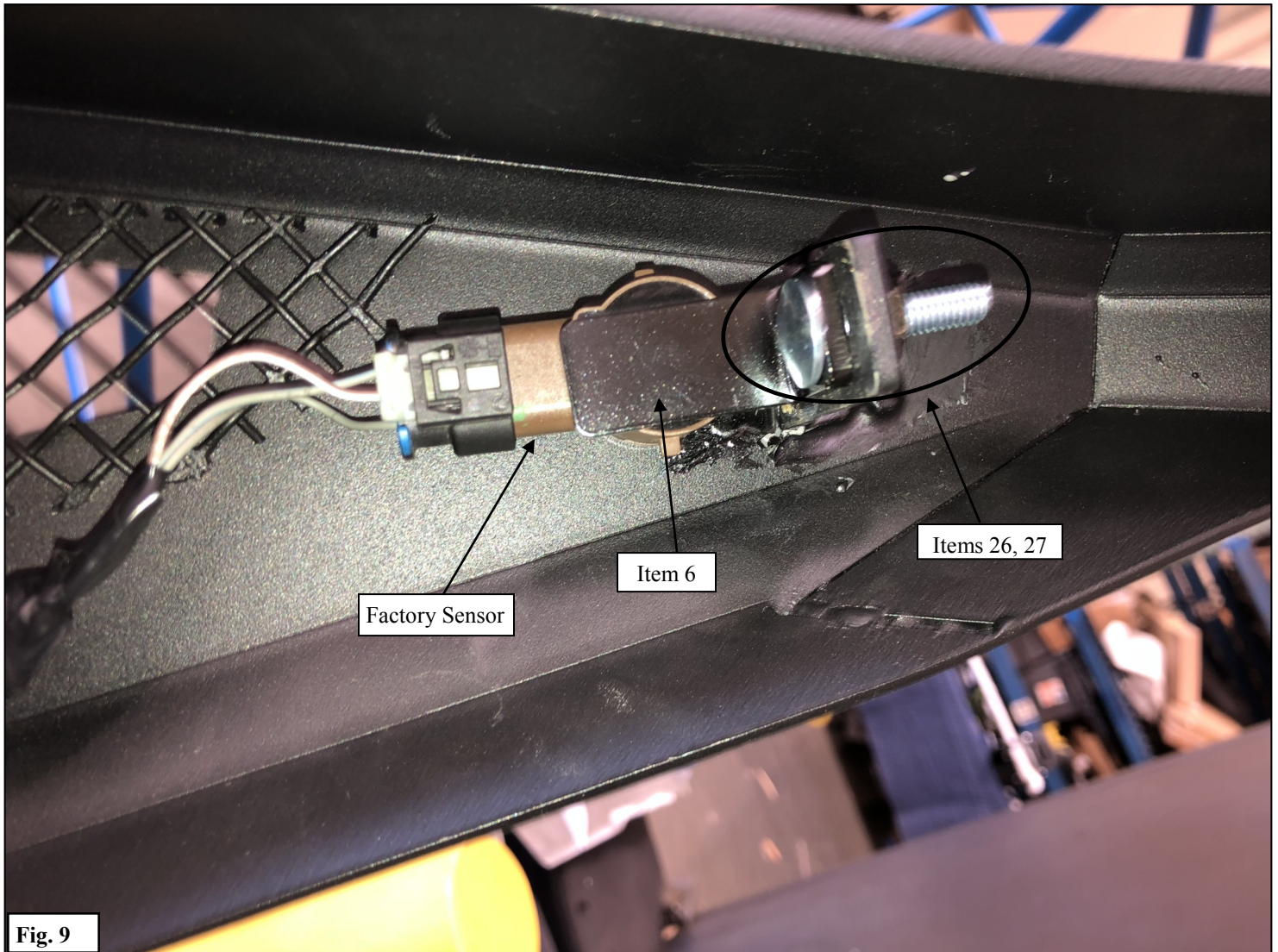


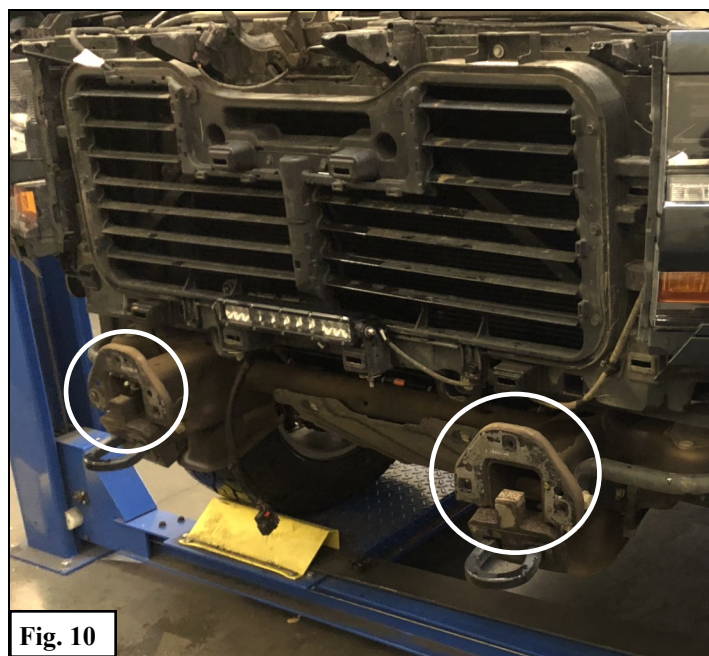
Fig. 9

**WESTIN**

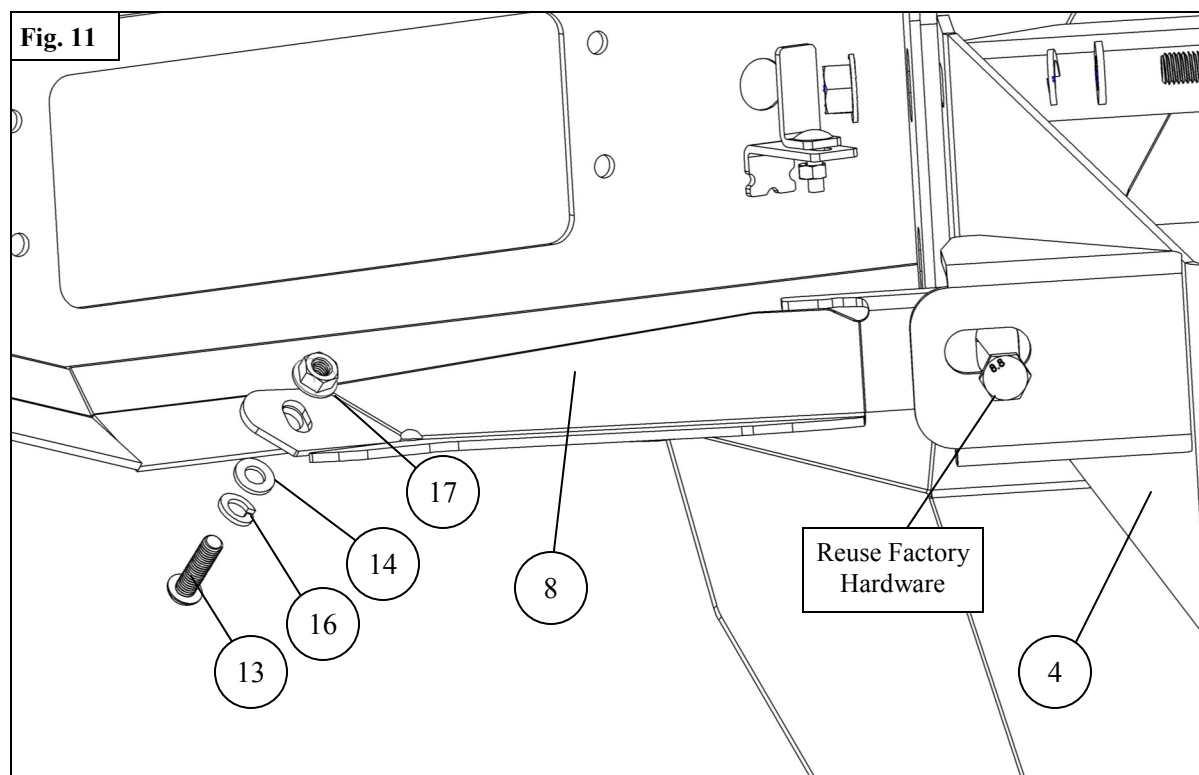
Westin Automotive Products, Inc.  
320 W. Covina Blvd  
San Dimas, Ca. 91773

Thank you for choosing Westin products  
for additional installation assistance please call  
Customer Service (800) 793-7846  
www.westinautomotive.com

8. Loosely attach the preassembled bumper to the vehicle frame using the Factory Hardware. See **Figure 10**.



10. Use the supplied M8 and M10 Hardware to secure the Support Straps (16,17) to the bumper. See **Figure 11**.

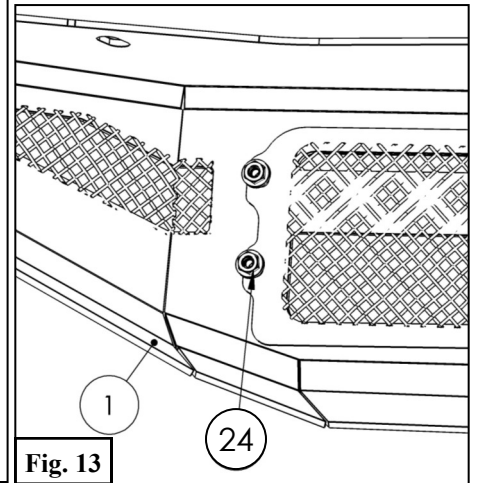
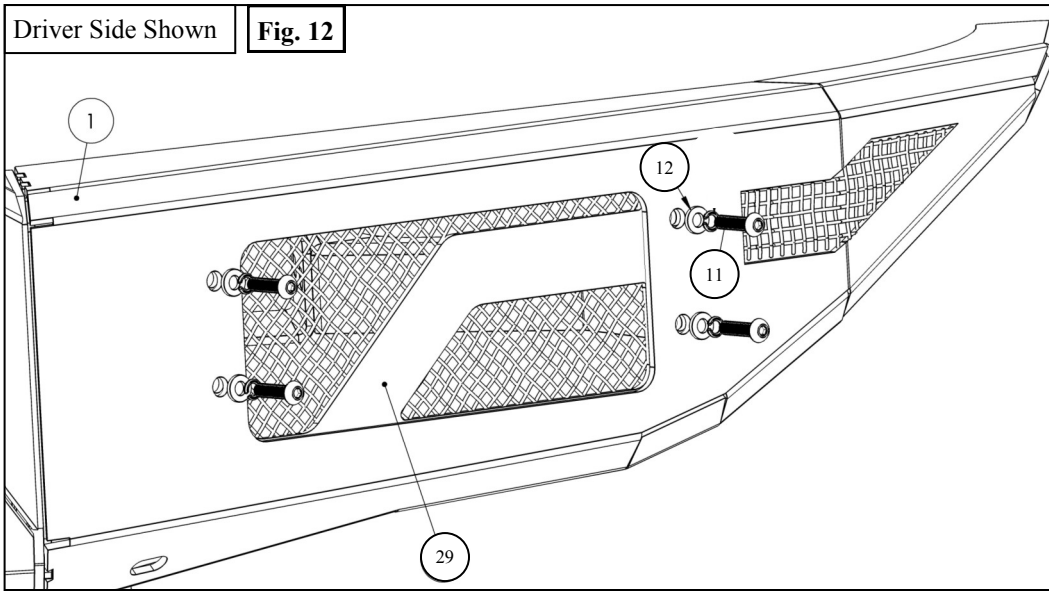




11. Attach the Mesh Side Covers (5) to the Bumper using the supplied M6 Hardware (11, 12, 24). See **Figures 12 & 13**.

Driver Side Shown

**Fig. 12**



**Fig. 13**

12. Adjust bumper as needed and torque down all hardware as specified: M6 to 7 ft lbs, M8 to 18 ft lbs, M10 to 38 ft lbs, and M12 to 60 ft lbs.

13. Trim inner fender lining as necessary.







## WARNING



Failure to follow these instructions could lead to death, personal injury, and / or property damage.

Failure to follow these instructions could lead to death, personal injury, and / or property damage.

### FASTENERS:

All Westin supplied fasteners must be utilized and installed in accordance with the installation instructions and apply torque to the specifications as defined. **DOUBLE CHECK ALL FASTENERS BEFORE INITIAL USE, AND PERIODICALLY IN THE FUTURE TO ENSURE PROPER FUNCTION AND SAFETY.**

### DRILLING:

Most Westin products do not require drilling for installation. If drilling is defined as required, use caution when drilling a vehicle. **FAILURE TO REVIEW AN AREA TO BE DRILLED MAY RESULT IN PERSONAL INJURY AND/OR INJURY TO OTHERS AS WELL AS VEHICLE DAMAGE.**

### EYE PROTECTION:

**ALWAYS WEAR SAFETY GLASSES OR GOGGLES DURING THE INSTALLATION PROCESS TO AVOID PERSONAL INJURY.**

### MAXIMUM TOWING/CARRYING CAPACITY: (if applicable)

The Westin Receiver Hitches will have a visible tow rating label affixed directly on the product. User should never exceed the vehicle manufacturers maximum tow and weight rating regardless of the capacity of the hitch. **FAILURE TO FOLLOW THESE GUIDELINES WILL VOID THE WESTIN WARRANTY AND MAY RESULT IN PERSONAL INJURY AND/OR INJURY TO OTHERS AS WELL AS VEHICLE DAMAGE.**

### FOR CALIFORNIA RESIDENTS ONLY-PROP 65 WARNING:

Some products may contain chemicals such as DEHP, which can cause cancer, birth defects or other reproductive harm. For more info go to [www.p65warnings.ca.gov](http://www.p65warnings.ca.gov)



Westin Automotive Products, Inc.  
320 W. Covina Blvd  
San Dimas, Ca. 91773