

# INSTALLATION INSTRUCTIONS

## PRO-MOD FRONT BUMPER



**APPLICATION:**  
2019-2020 Ram 2500/3500  
**PART NUMBER:**  
58-41235

<b>CONTENT</b>			
<b>ITEM</b>	<b>QUANTITY</b>	<b>DESCRIPTION</b>	<b>TOOLS NEEDED</b>
1	1	DRIVER POD ASSEMBLY	10MM SOCKET
2	1	PASSENGER POD ASSEMBLY	10MM WRENCH
3	1	CENTER SECTION	13MM SOCKET
4	2	MESH COVER PLATE	13MM WRENCH
5	1	DRIVER MOUNTING BRACKET	16MM SOCKET
6	1	PASSENGER MOUNTING BRACKET	16MM WRENCH
7	6	SENSOR TAB	18MM SOCKET
8	1	DRIVER SUPPORT STRAP	19MM WRENCH
9	1	PASSENGER SUPPORT STRAP	ALLEN KEY
10	2	BASE SUPPORT	RATCHET
11	2	LED BRACKET	TORQUE WRENCH
12	6	SENSOR HOLE PLUG	
13	12	M6 BUTTON HEAD BOLT (BLACK ZINC)	
14	12	M6 FLAT WASHER (BLACK ZINC)	
15	12	M6 SERRATED FLANGE NUT (BLACK ZINC)	
16	12	M6 LOCK WASHER (BLACK ZINC)	
17	2	M10 BUTTON HEAD BOLT (BLACK ZINC)	
18	2	M10 LOCK WASHER (BLACK ZINC)	
19	4	M10 FLAT WASHER (BLACK ZINC)	
20	2	M10 HEX NUT (BLACK ZINC)	
21	4	M8 BUTTON HEAD BOLT (BLACK ZINC)	
22	4	M8 LOCK WASHER (BLACK ZINC)	
23	8	M8 FLAT WASHER (BLACK ZINC)	
24	4	M8 HEX NUT (BLACK ZINC)	
25	14	M12 SERRATED FLANGE NUT (YELLOW ZINC)	
26	4	SHORT M12 HEX HEAD BOLT (YELLOW ZINC)	
27	14	M12 LOCK WASHER (YELLOW ZINC)	

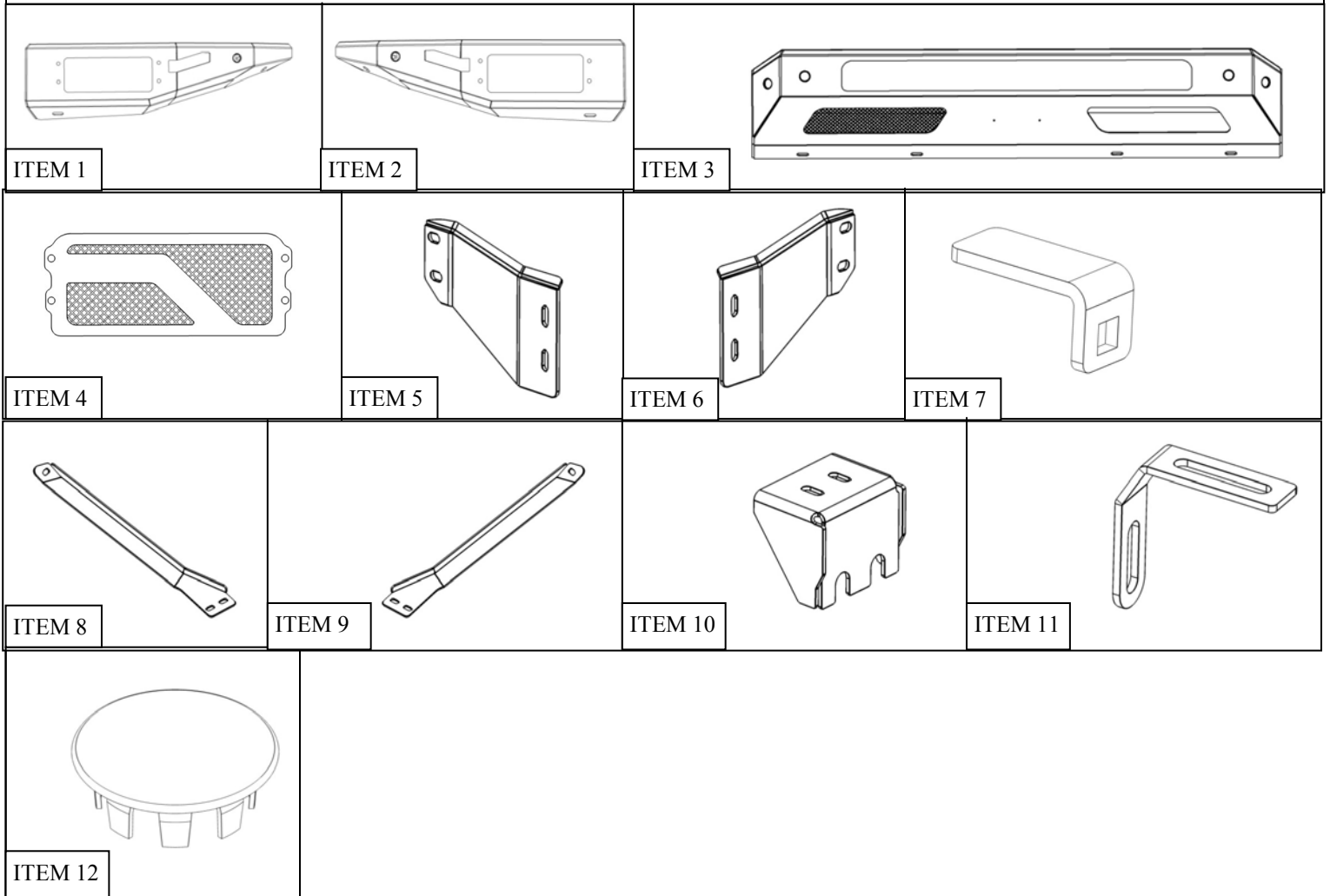
**ANTI-SEIZE LUBRICANT MUST BE USED ON ALL STAINLESS STEEL FASTENERS TO PREVENT THREAD DAMAGE AND GALLING**

**WESTIN** Westin Automotive Products, Inc.  
320 W. Covina Blvd  
San Dimas, Ca. 91773

Thank you for choosing Westin products  
for additional installation assistance please call  
Customer Service (800) 793-7846

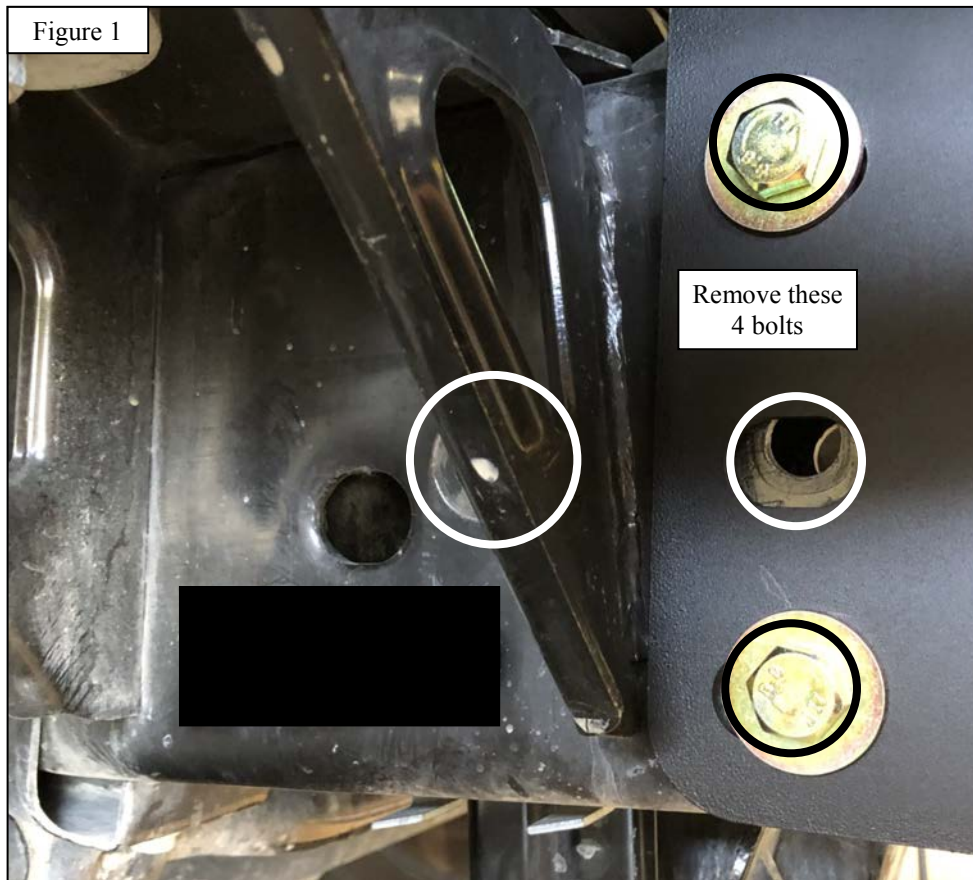
ITEM	QUANTITY	DESCRIPTION	TOOLS NEEDED
28	28	M12 FLAT WASHER (YELLOW ZINC)	
29	6	M6 CARRIAGE BOLT (YELLOW ZINC)	
30	6	M6 LOCK WASHER (YELLOW ZINC)	
31	6	M6 HEX NUT (YELLOW ZINC)	
32	6	M6 FLAT WASHER (YELLOW ZINC)	
33	4	M10 HEX HEAD BOLT (YELLOW ZINC)	
34	4	M10 LOCK WASHER (YELLOW ZINC)	
35	8	M10 FLAT WASHER (YELLOW ZINC)	
36	4	M10 HEX NUT (YELLOW ZINC)	
37	10	LONG M12 HEX HEAD BOLT (YELLOW ZINC)	

**ANTI-SEIZE LUBRICANT MUST BE USED ON ALL STAINLESS STEEL FASTENERS TO PREVENT THREAD DAMAGE AND GALLING**

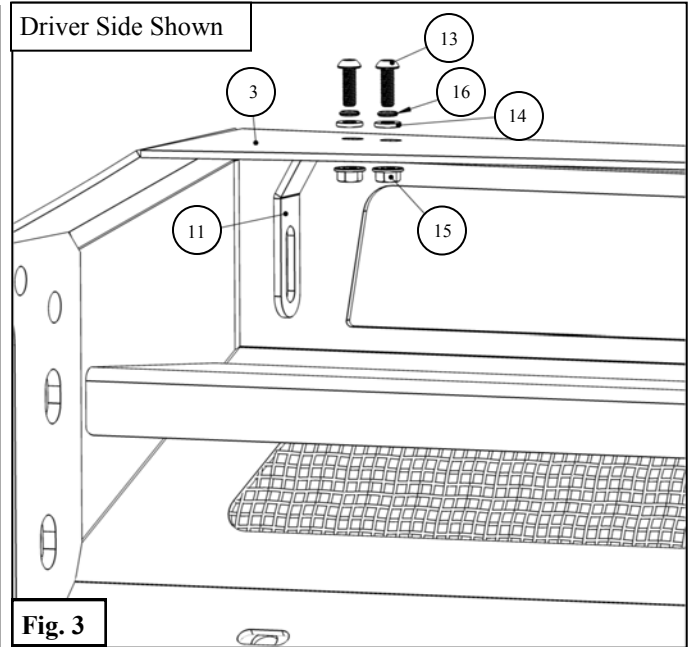
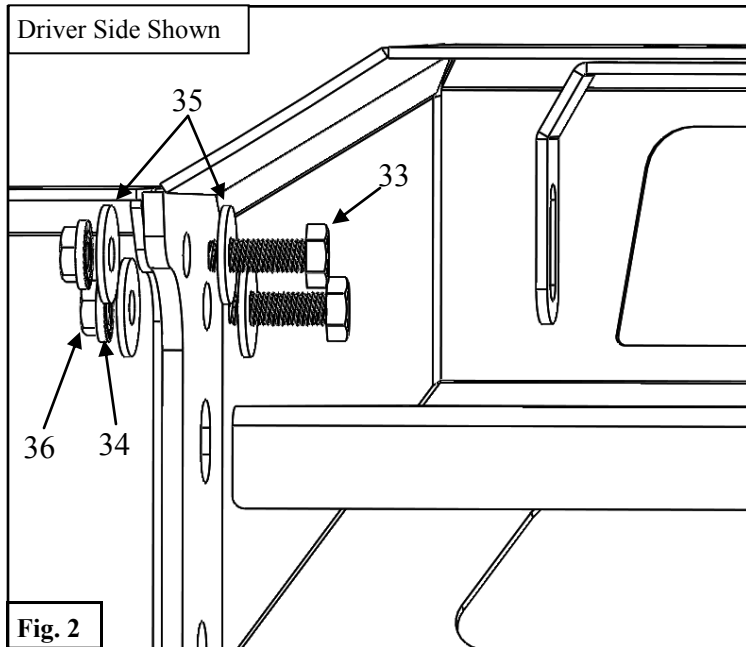


## PROCEDURE

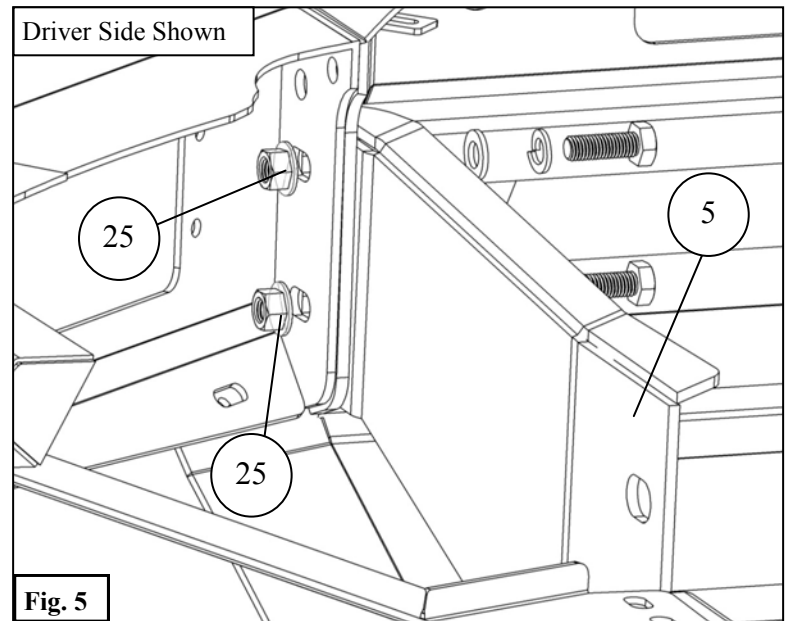
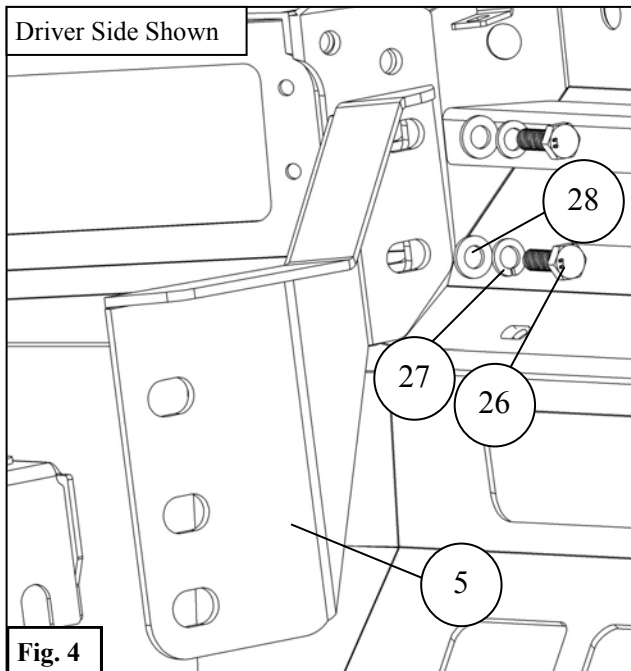
1. Remove contents from box, verify if all parts listed are present and free from damage.  
Carefully read and understand all instructions before attempting installation.  
**Failure to identify damage before installation could lead to a rejection of any claim.**
2. Unplug any wire connections to the OEM Bumper.
3. Remove the 4 bolts on each side of the that hold on the bumper and tow hooks. **See Figure 1**



4. Use the supplied M10 Hardware to attach each Side Pod Assembly (1,2) to the Center Section (3). See **Figure 2**.
5. Use the supplied M6 Hardware to attach the LED Brackets (15) to the center section. See **Figure 3**. *Note: If installing an LED Light Bar (sold separately), install it at this time.*



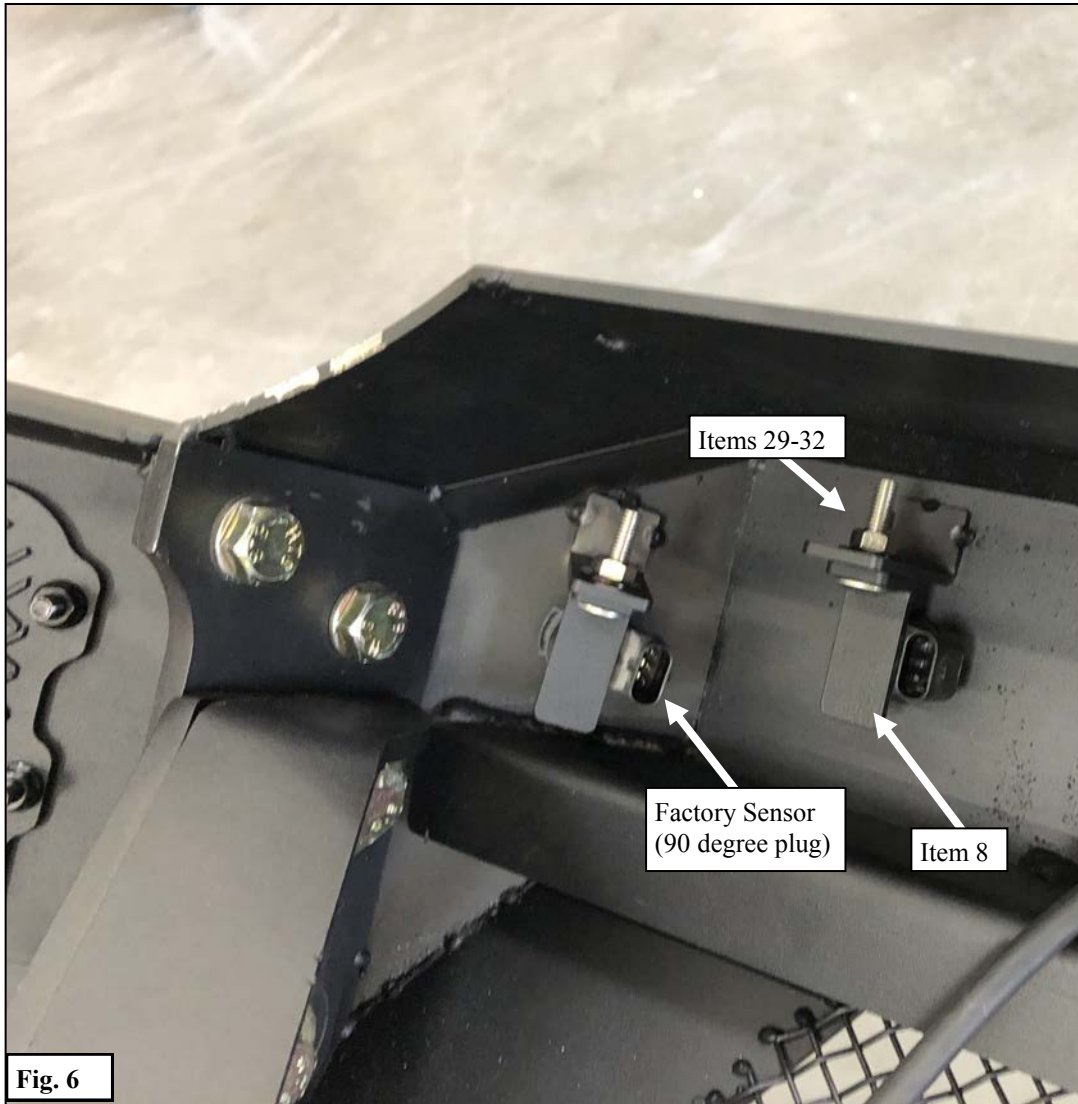
6. Loosely install the bumper assembly to the Mounting Brackets (5,6) using the supplied M12 Hardware. See **Figures 4 & 5**.



## PARKING SENSOR INSTALLATION

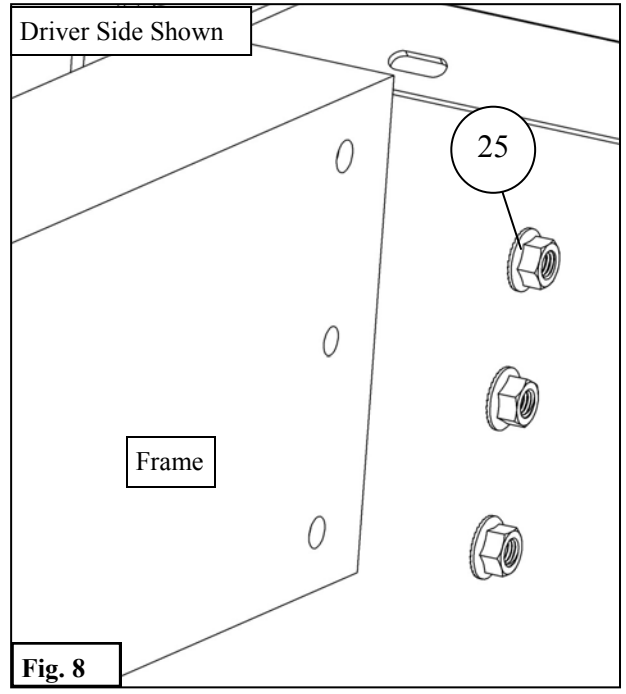
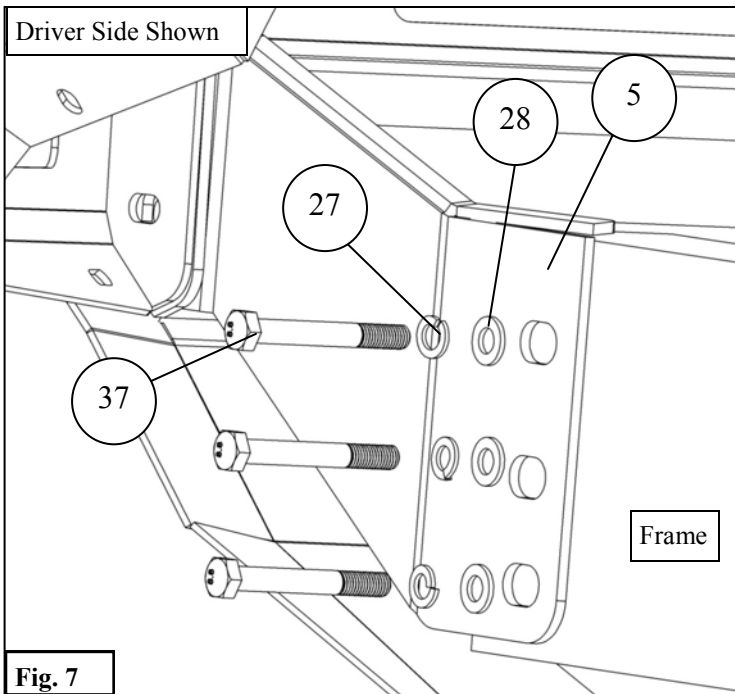
**\*If not installing sensors, install Hole Plugs (13) into holes on bumper and proceed**

7. Remove the parking sensors from the OEM bumper.
8. Use the Sensor Tab (8) along with the supplied M6 Hardware (30-33) to install the sensors as shown in **Figure 6**. *Note: The center section uses the four 90 degree sensors while the outside corners each use the straight plug sensors.*



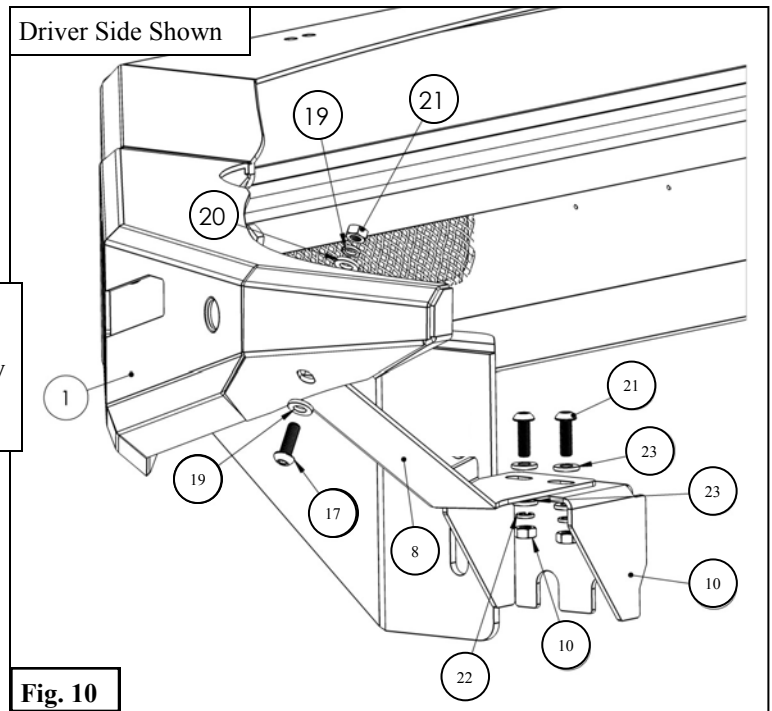
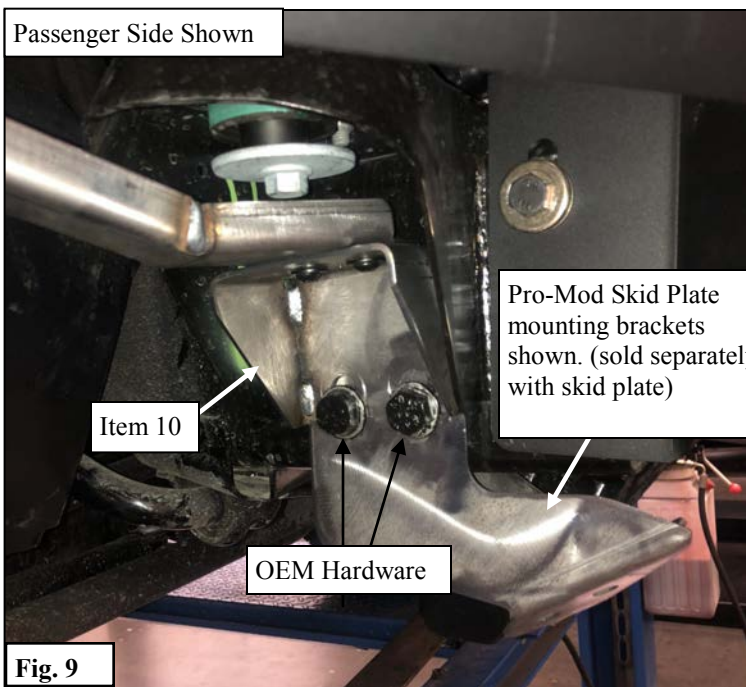


9. Use the supplied M12 Hardware to loosely secure the pre-assembled Bumper and Brackets to the vehicle's frame. See **Figures 7 & 8.**

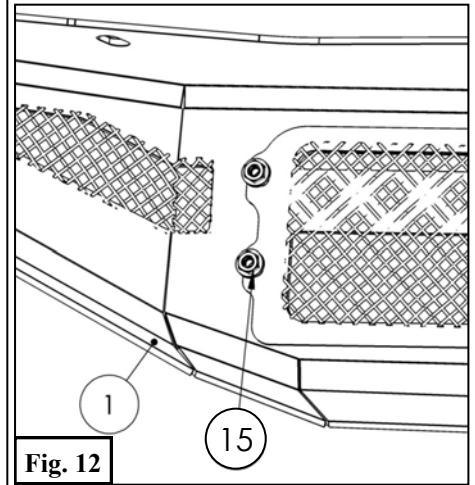
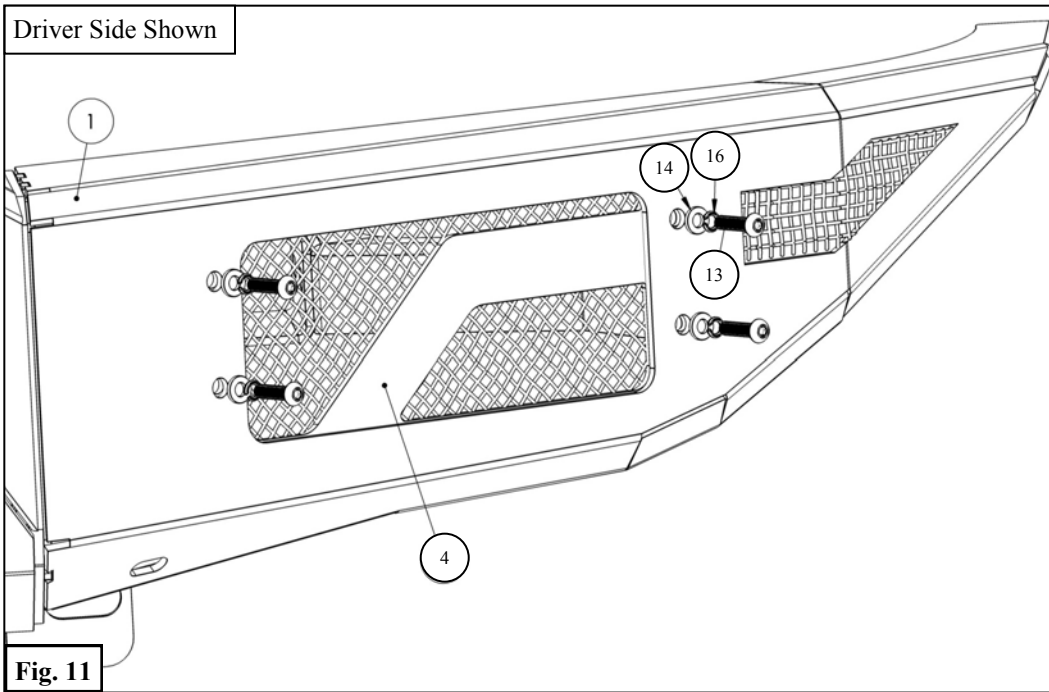


10. Use OEM Hardware to install the Base Support (11) to the frame of the vehicle. See **Figure 9.**

11. Use the supplied M8 Hardware to attach the Support Straps (9,10) to the Base Support (11) and Bumper. See **Figure 10.**



12. Attach the Mesh Side Covers (4) to the Bumper using the supplied M6 Hardware. See **Figures 11 & 12.**
13. Align the bumper as desired and torque all hardware as specified: M6 to 8 ft-lbs, M8 to 18 ft-lbs, M10 to 38 ft-lbs, M12 to 60 ft-lbs.



18. Trim the front of inner fender as needed on each side.

INSTALLATION COMPLETE



Skid Plate and Lights Sold Separately

#### CARE INSTRUCTIONS

- REGULAR WAXING IS RECOMMENDED. DO NOT USE ANY TYPE OF POLISH OR WAX THAT MAY CONTAIN ABRASIVES.
- STAINLESS STEEL PRODUCTS CAN BE CLEANED WITH MILD SOAP AND WATER. STAINLESS STEEL POLISH SHOULD BE USED TO POLISH SMALL SCRATCHES.
- GLOSS BLACK FINISHES SHOULD BE CLEANED WITH MILD SOAP AND WATER

**WESTIN**

Westin Automotive Products, Inc.  
320 W. Covina Blvd  
San Dimas, Ca. 91773

Thank you for choosing Westin products  
for additional installation assistance please call  
Customer Service (800) 793-7846

[www.westinautomotive.com](http://www.westinautomotive.com)





## WARNING



Failure to follow these instructions could lead to death, personal injury, and / or property damage.

Failure to follow these instructions could lead to death, personal injury, and / or property damage.

### FASTENERS:

All Westin supplied fasteners must be utilized and installed in accordance with the installation instructions and apply torque to the specifications as defined. **DOUBLE CHECK ALL FASTENERS BEFORE INITIAL USE, AND PERIODICALLY IN THE FUTURE TO ENSURE PROPER FUNCTION AND SAFETY.**

### DRILLING:

Most Westin products do not require drilling for installation. If drilling is defined as required, use caution when drilling a vehicle. **FAILURE TO REVIEW AN AREA TO BE DRILLED MAY RESULT IN PERSONAL INJURY AND/OR INJURY TO OTHERS AS WELL AS VEHICLE DAMAGE.**

### EYE PROTECTION:

**ALWAYS WEAR SAFETY GLASSES OR GOGGLES DURING THE INSTALLATION PROCESS TO AVOID PERSONAL INJURY.**

### MAXIMUM TOWING/CARRYING CAPACITY: (if applicable)

The Westin Receiver Hitches will have a visible tow rating label affixed directly on the product. User should never exceed the vehicle manufacturers maximum tow and weight rating regardless of the capacity of the hitch. **FAILURE TO FOLLOW THESE GUIDELINES WILL VOID THE WESTIN WARRANTY AND MAY RESULT IN PERSONAL INJURY AND/OR INJURY TO OTHERS AS WELL AS VEHICLE DAMAGE.**

### FOR CALIFORNIA RESIDENTS ONLY-PROP 65 WARNING:

Some products may contain chemicals such as DEHP, which can cause cancer, birth defects or other reproductive harm. For more info go to [www.p65warnings.ca.gov](http://www.p65warnings.ca.gov)



Westin Automotive Products, Inc.  
320 W. Covina Blvd  
San Dimas, Ca. 91773