

INSTALLATION INSTRUCTIONS

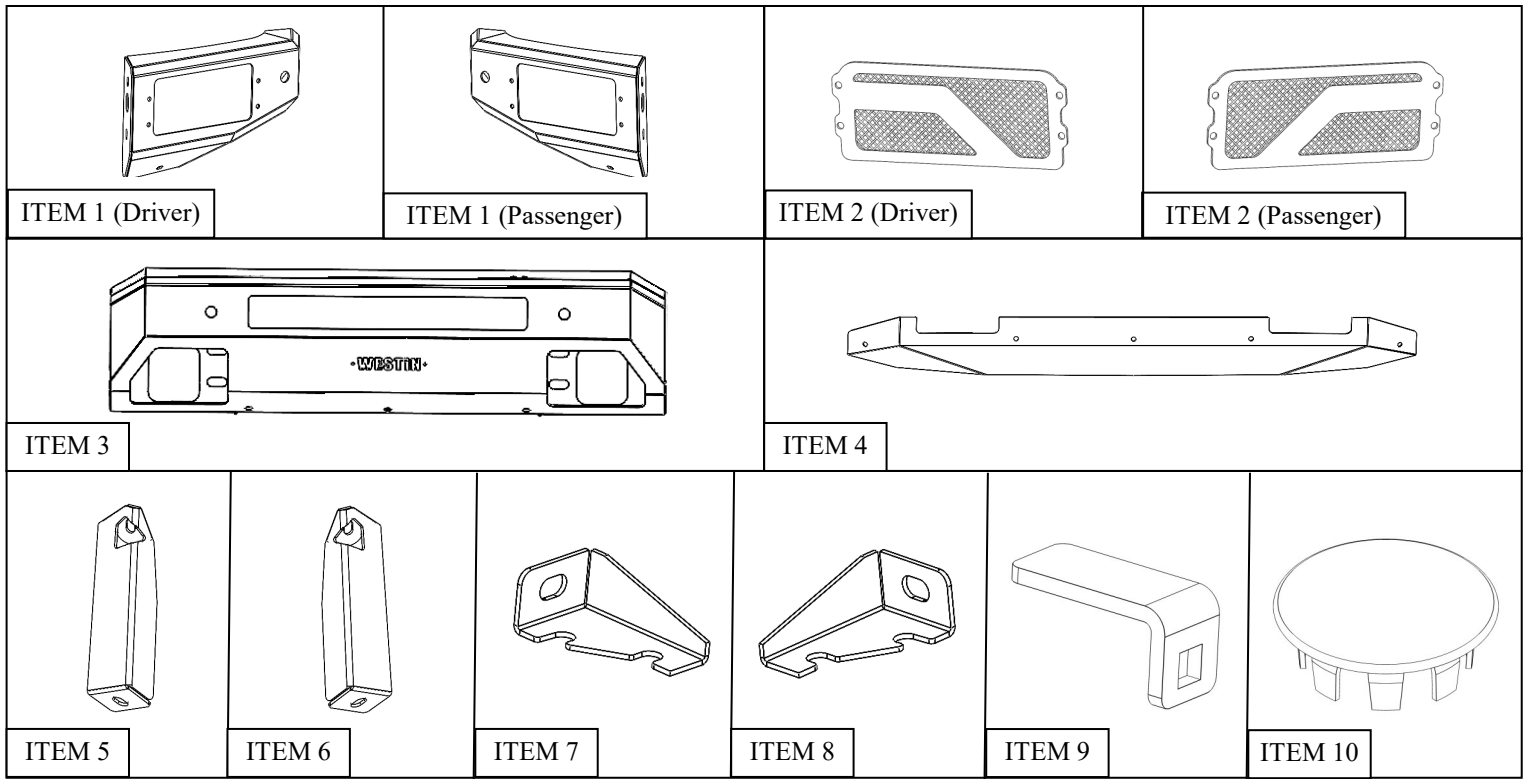
PRO-MOD FRONT BUMPER



APPLICATION:
Ford Bronco 2021
PART NUMBER:
58-41255

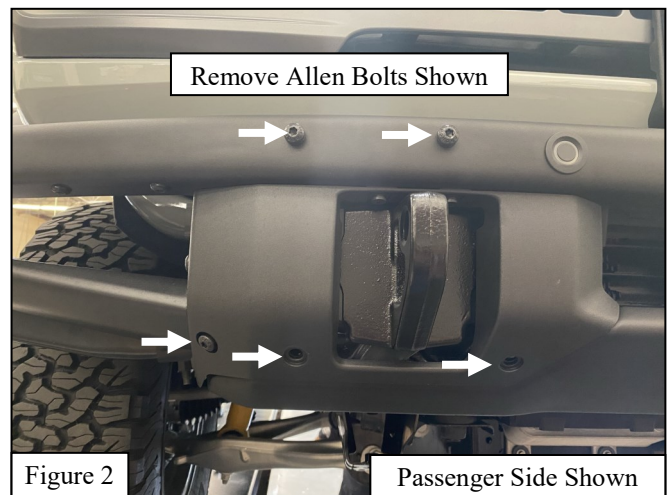
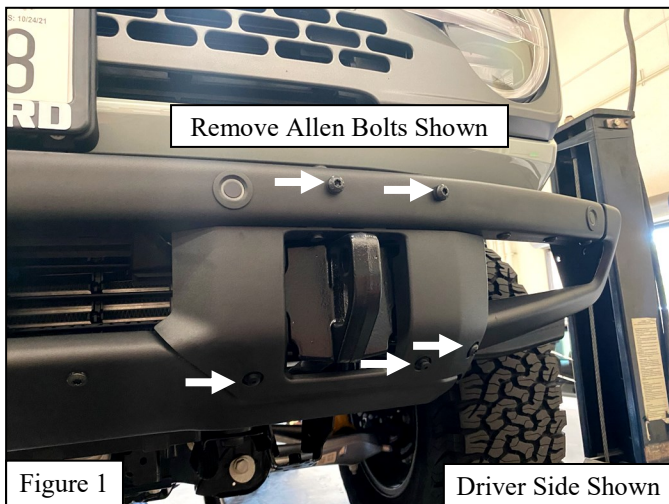
| CONTENT | | | |
|---------|----------|---|---------------|
| ITEM | QUANTITY | DESCRIPTION | TOOLS NEEDED |
| 1 | 2 | SIDE POD ASSEMBLY (1 DRIVER, 1 PASSENGER) | 10MM SOCKET |
| 2 | 2 | MESH SIDE COVERS (1 DRIVER, 1 PASSENGER) | 10MM WRENCH |
| 3 | 1 | CENTER SECTION | 13MM SOCKET |
| 4 | 1 | VALENCE SKID PLATE | 13MM WRENCH |
| 5 | 1 | DRIVER MOUNTING BRACKET | 18MM SOCKET |
| 6 | 1 | PASSENGER MOUNTING BRACKET | 19MM WRENCH |
| 7 | 1 | DRIVER OUTRIGGER BASE BRACKET | RATCHET |
| 8 | 1 | PASSENGER OUTRIGGER BASE BRACKET | TORQUE WRENCH |
| 9 | 4 | SENSOR TAB | |
| 10 | 4 | SENSOR PLUG | |
| 11 | 2 | LED LIGHT BRACKET | |
| 12 | 12 | M6 BUTTON HEAD SCREW | |
| 13 | 12 | LARGE M6 FLAT WASHER | |
| 14 | 12 | M6 SERRATED FLANGE HEX NUT | |
| 15 | 9 | M8 BUTTON HEAD BOLT | |
| 16 | 9 | M8 FLAT WASHER | |
| 17 | 5 | M8 SPLIT LOCK WASHER | |
| 18 | 4 | M8 SERRATED FLANGE HEX NUT | |
| 19 | 5 | M8 U-CLIP | |
| 20 | 4 | M12 HEX HEAD BOLT | |
| 21 | 8 | M12 FLAT WASHER | |
| 22 | 4 | M12 SERRATED FLANGE HEX NUT | |
| 23 | 4 | M6 CARRIAGE BOLT | |
| 24 | 4 | SMALL M6 FLAT WASHER | |
| 25 | 4 | M6 SPLIT LOCK WASHER | |
| 26 | 4 | M6 HEX HEAD NUT | |

ANTI-SEIZE LUBRICANT MUST BE USED ON ALL STAINLESS STEEL FASTENERS TO PREVENT THREAD DAMAGE AND GALLING



PROCEDURE

1. Remove contents from box, verify if all parts listed are present and free from damage. Carefully read and understand all instructions before attempting installation.
Failure to identify damage before installation could lead to a rejection of any claim.
2. Unplug the OEM front bumper harness located on the driver side along with any other wiring to the bumper (sensors, fog lights, etc).
3. Remove the OEM front tow hook covers by removing the 5 allen bolts on each side shown with arrows in **Figure 1 & 2**.
4. Remove the frame mounted bolts from the locations shown. Then, carefully remove the OEM bumper. See **Figure 3** for reference. *Note: Assistance for bumper removal may be needed.*



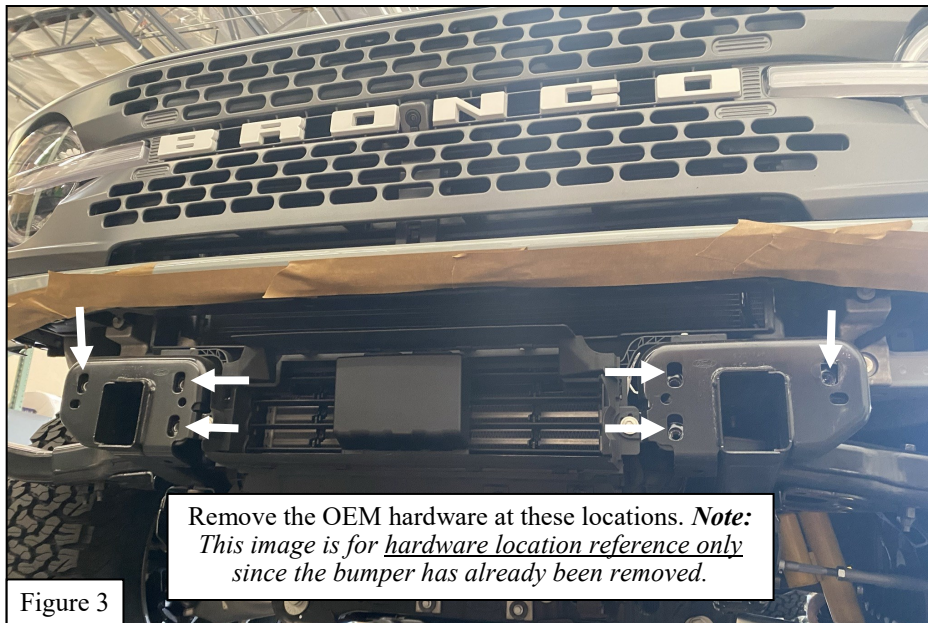


Figure 3

5. Remove and unplug the OEM Active Cruise Control accessory since it will not be compatible with the Pro-Mod Bumper assembly. See **Figure 4** for reference.
6. Remove the OEM Active Cruise Control Harness from the vehicle. Be careful not to tear or pinch any wires. See **Figure 5** for reference.

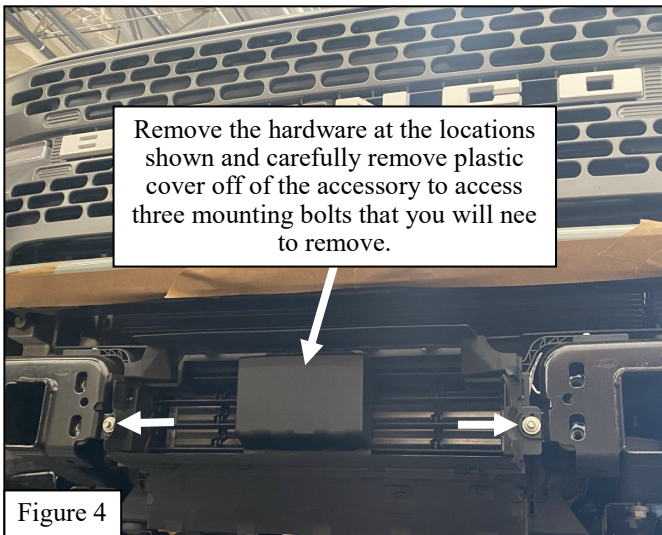
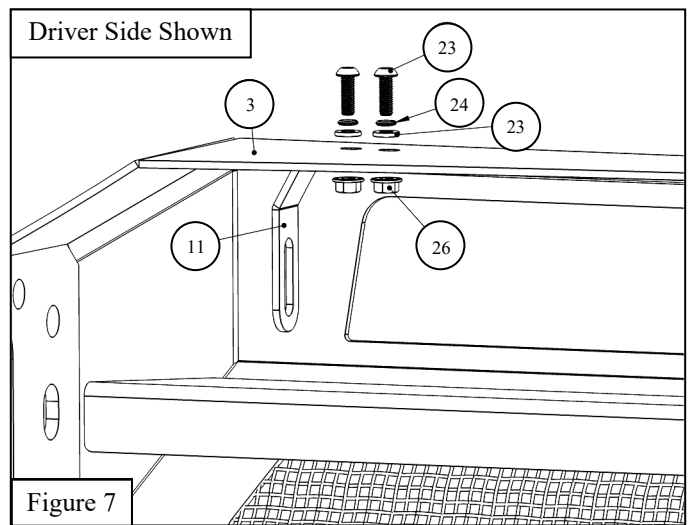
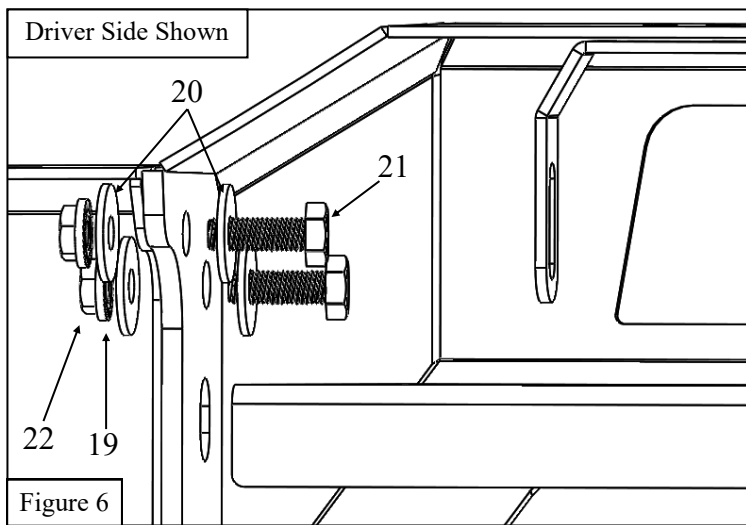


Figure 4

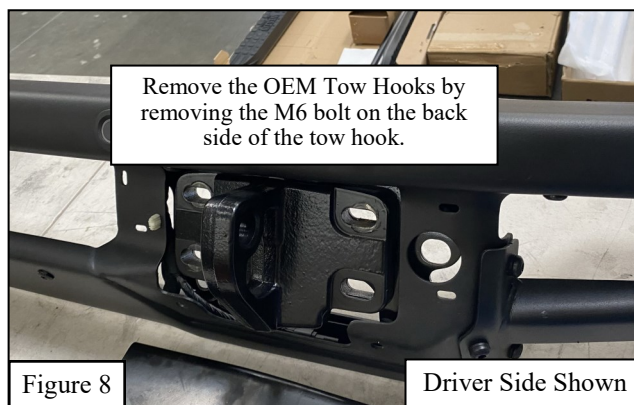


Figure 5

7. Locate and attach each Side Pod Assembly (Items 1 & 2) to the Center Section (Item 3) using the supplied M12 hardware (Items 20-22). See **Figure 6** for reference.
8. Tighten side pods in position now. Torque M12 hardware to 60 ft-lbs.
9. Use the supplied M6 Hardware to attach the LED Brackets (Item 11) to the center section. See **Figure 7**. *Note: If installing an LED Light Bar (sold separately), install it at this time according to manufacturers instructions. .*



10. If the vehicle **is equipped** with parking sensors, begin to disassemble the OEM bumper completely by **removing all** of the hardware and bumper panels in order to gain access to the sensors and sensor harness.
11. Retain the OEM tow hooks as they will be reused on the Pro-Mod Bumper. See **Figure 8** for reference.

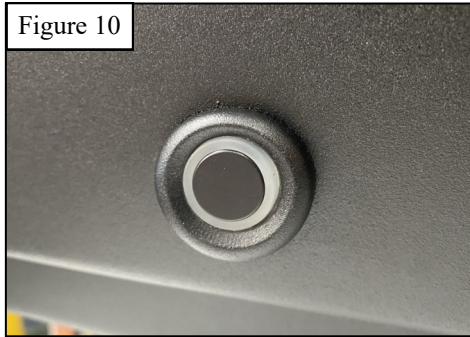
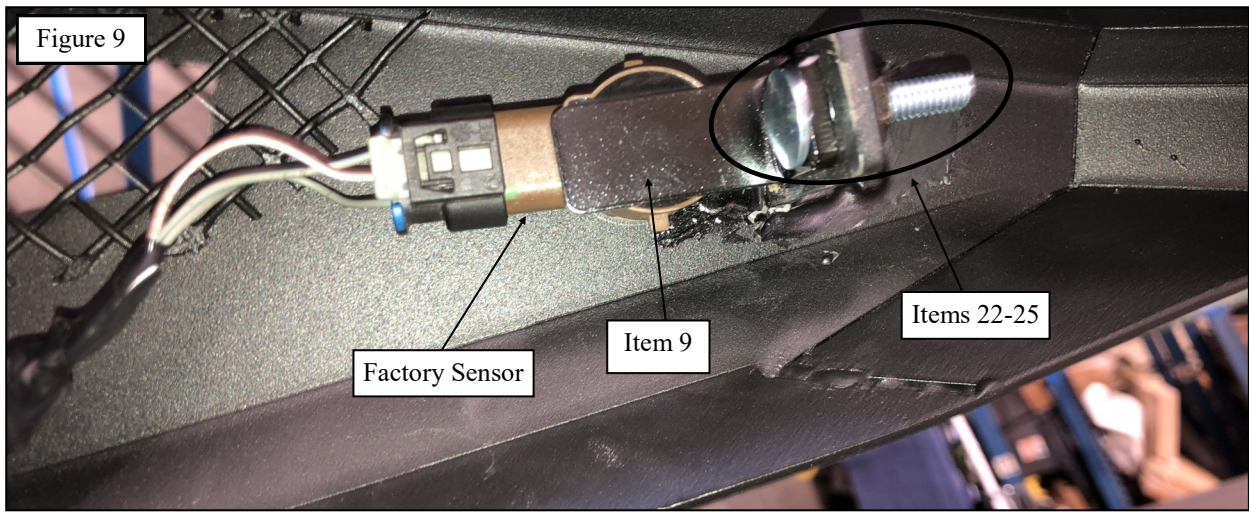


PARKING SENSOR INSTALLATION

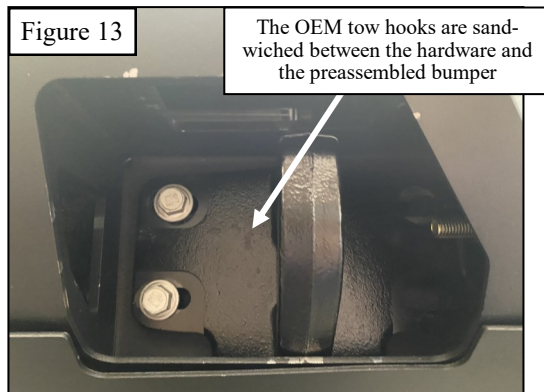
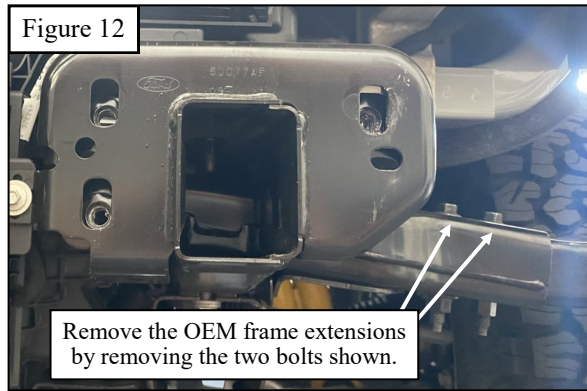
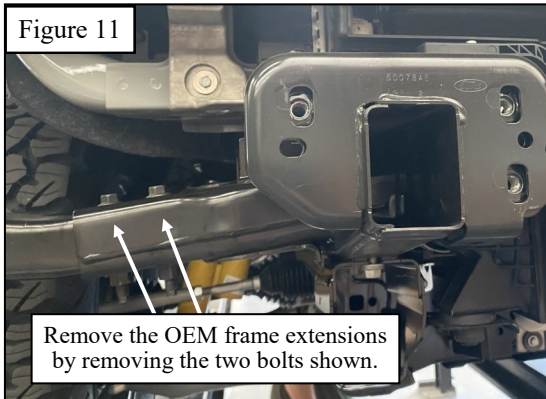
***If not installing sensors, install Hole Plugs (Item 10) into holes on bumper and proceed.**

12. Remove the parking sensors from the OEM bumper. Pay attention to the orientation of the sensors. They must be installed in the same orientation. Handle sensors with care, they are very delicate.
13. Use the Sensor Tab (Item 9) along with the supplied M6 Hardware (Items 22-25) to install the sensors as shown in **Figure 9**.
- Make sure to install using OEM rubber grommet and center the sensor in the holes. See Figure 10 for reference.**
14. Carefully route the harness around the bumper.

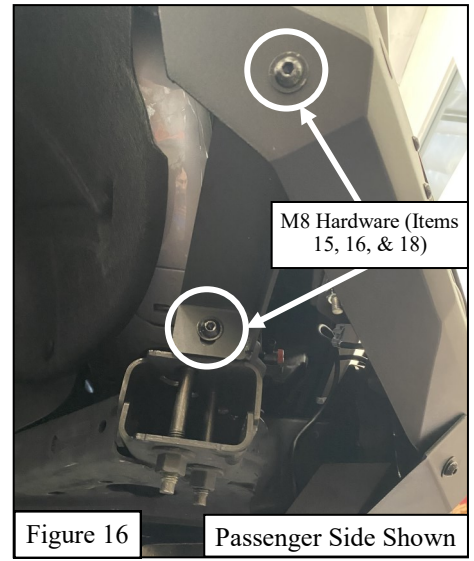
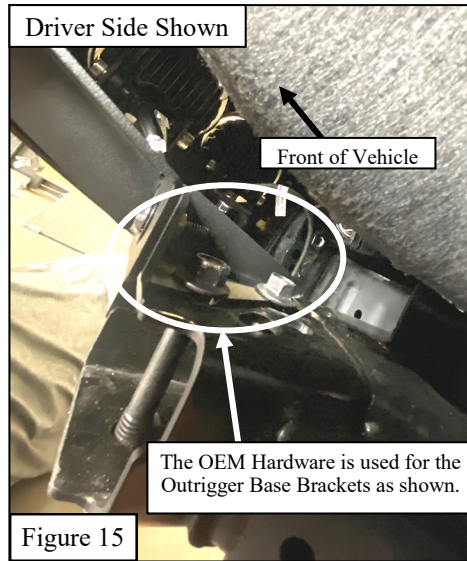
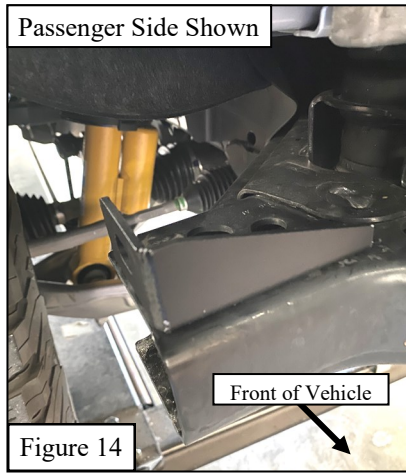
Note: Zip ties or double sided tape can be used to route harness and to hold the sensor in position.



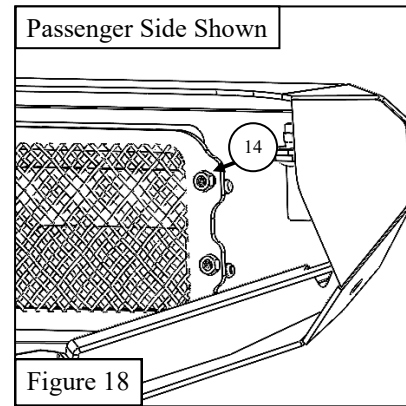
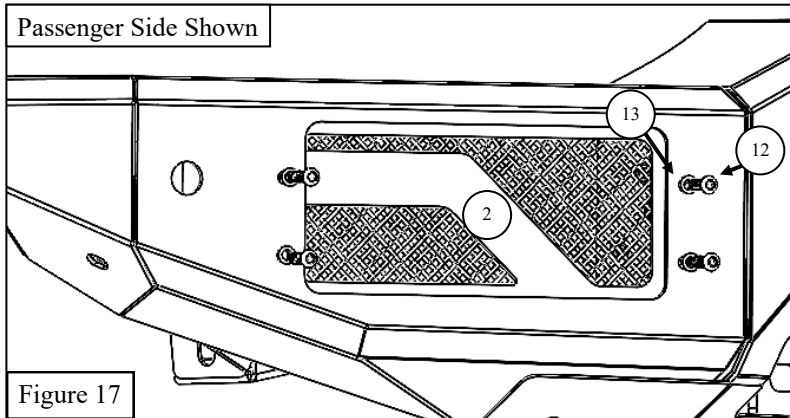
15. Locate and remove the OEM frame extensions. See **Figure 11 & 12** for reference.
 16. Loosely attach the preassembled bumper to the vehicle frame using the OEM Hardware. See **Figure 13**. *Note: The OEM tow hooks are sandwiched between the OEM hardware and the preassembled bumper.*



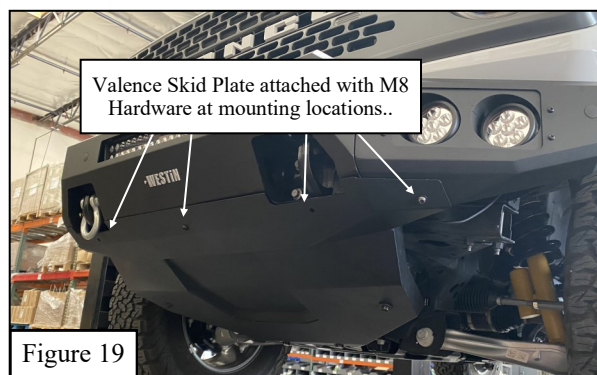
17. Locate and loosely install the Driver and Passenger Outrigger Base Brackets (Items 7 & 8) onto the vehicle frame using the OEM hardware from the previously removed frame extensions. See **Figure 14 and 15** for reference.
18. Locate and loosely install the Driver and Passenger Mounting Brackets (Items 5 & 6) onto the Outrigger Base Brackets using the supplied M8 Hardware. See **Figure 16** for reference.



19. Attach the Mesh Side Covers (Item 2) to the bumper using the supplied M6 Hardware (Items 12-14). See **Figures 17 and 18** for reference.



20. Locate and install the Valence Skid Plate with the remaining M8 hardware (Items 15, 16, 17, & 19) as shown in **Figure 19**.
21. Align the bumper as desired and torque all hardware as specified: M6 to 7 ft-lbs, M8 to 18 ft-lbs, M12 to 60 ft-lbs.



INSTALLATION COMPLETE



LED Lights shown on bumper sold separately.

CARE INSTRUCTIONS

- REGULAR WAXING IS RECOMMENDED. DO NOT USE ANY TYPE OF POLISH OR WAX THAT MAY CONTAIN ABRASIVES.
- STAINLESS STEEL PRODUCTS CAN BE CLEANED WITH MILD SOAP AND WATER. STAINLESS STEEL POLISH SHOULD BE USED TO POLISH SMALL SCRATCHES.
- GLOSS BLACK FINISHES SHOULD BE CLEANED WITH MILD SOAP AND WATER.

WESTIN Westin Automotive Products, Inc.
320 W. Covina Blvd
San Dimas, Ca. 91773

Thank you for choosing Westin products
for additional installation assistance please call
Customer Service (800) 793-7846
www.westinautomotive.com



WARNING



Failure to follow these instructions could lead to death, personal injury, and / or property damage.

Failure to follow these instructions could lead to death, personal injury, and / or property damage.

FASTENERS:

All Westin supplied fasteners must be utilized and installed in accordance with the installation instructions and apply torque to the specifications as defined. **DOUBLE CHECK ALL FASTENERS BEFORE INITIAL USE, AND PERIODICALLY IN THE FUTURE TO ENSURE PROPER FUNCTION AND SAFETY.**

DRILLING:

Most Westin products do not require drilling for installation. If drilling is defined as required, use caution when drilling a vehicle. **FAILURE TO REVIEW AN AREA TO BE DRILLED MAY RESULT IN PERSONAL INJURY AND/OR INJURY TO OTHERS AS WELL AS VEHICLE DAMAGE.**

EYE PROTECTION:

ALWAYS WEAR SAFETY GLASSES OR GOGGLES DURING THE INSTALLATION PROCESS TO AVOID PERSONAL INJURY.

MAXIMUM TOWING/CARRYING CAPACITY: (if applicable)

The Westin Receiver Hitches will have a visible tow rating label affixed directly on the product. User should never exceed the vehicle manufacturers maximum tow and weight rating regardless of the capacity of the hitch. **FAILURE TO FOLLOW THESE GUIDELINES WILL VOID THE WESTIN WARRANTY AND MAY RESULT IN PERSONAL INJURY AND/OR INJURY TO OTHERS AS WELL AS VEHICLE DAMAGE.**

FOR CALIFORNIA RESIDENTS ONLY-PROP 65 WARNING:

Some products may contain chemicals such as DEHP, which can cause cancer, birth defects or other reproductive harm. For more info go to www.p65warnings.ca.gov



Westin Automotive Products, Inc.
320 W. Covina Blvd
San Dimas, Ca. 91773